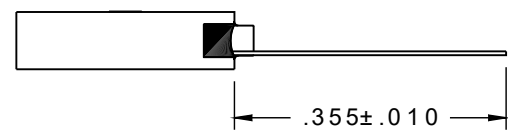
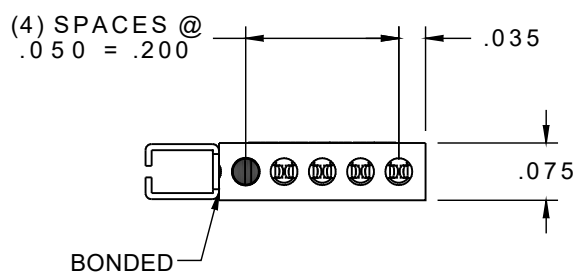
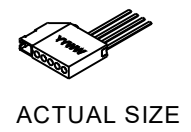
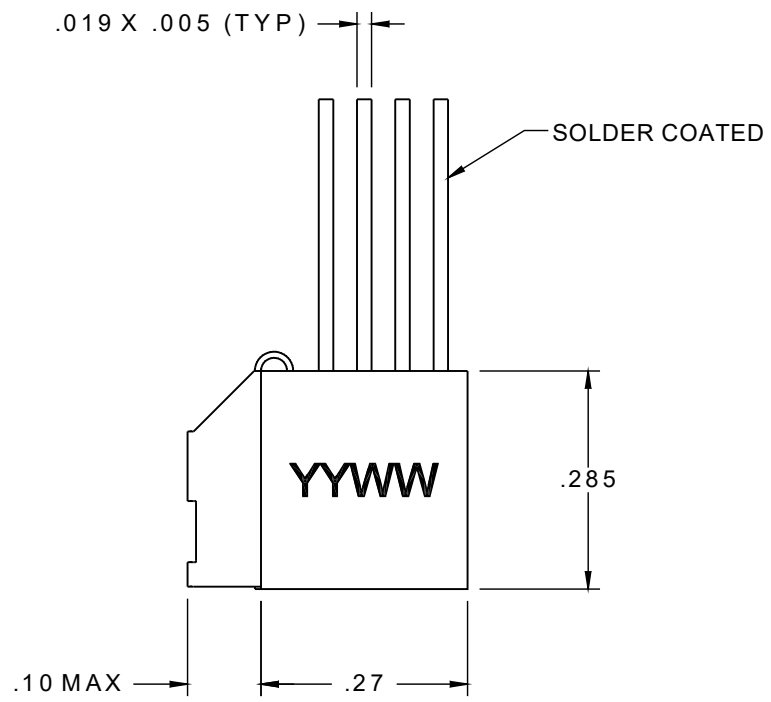


| | | | | | |
|----------|-------------|-----|-------|----------|-----|
| PART NO. | A101165-001 | REV | ECO | DATE | APP |
| | | A | 98395 | 03-29-12 | TLM |



| | | | | | | |
|------------------|--|--|---------------|--|---------------------------------------|---------------------|
| PST SLDW | THIRD ANGLE | THIS DRAWING CONTAINS CONFIDENTIAL AND PROPRIETARY INFORMATION WHICH IS THE PROPERTY OF OMNETICS CONNECTOR CORP. THIS DOCUMENT MAY NOT, IN WHOLE OR IN PART, BE DUPLICATED, OR DISCLOSED FOR ANY PURPOSE, WITHOUT WRITTEN PERMISSION FROM OMNETICS CONNECTOR CORP. | | <h1 style="margin: 0;">OMNETICS</h1> CONNECTOR CORPORATION 7260 COMMERCE CIRCLE EAST MINNEAPOLIS, MN 55432 WWW.OMNETICS.COM | CAGE CODE 61873 | |
| | -TOLERANCES- UNLESS OTHERWISE NOTED DIMENSIONS IN INCHES | DFTM. TLM | DATE 12-28-11 | | TITLE: (4) PIN MALE CONNECTOR W/LATCH | DWG NO. A101165-001 |
| | 2 PL DEC ± .01 | CHK'D. | DATE | | SHEET 1 OF 1 | |
| | 3 PL DEC ± .005 | APP'D. | DATE | | REV A | SCALE: 4:1 |
| 4 PL DEC ± .0005 | | | | | | |
| ANGLES ± 1° | | | | | | |