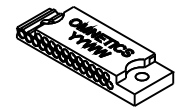
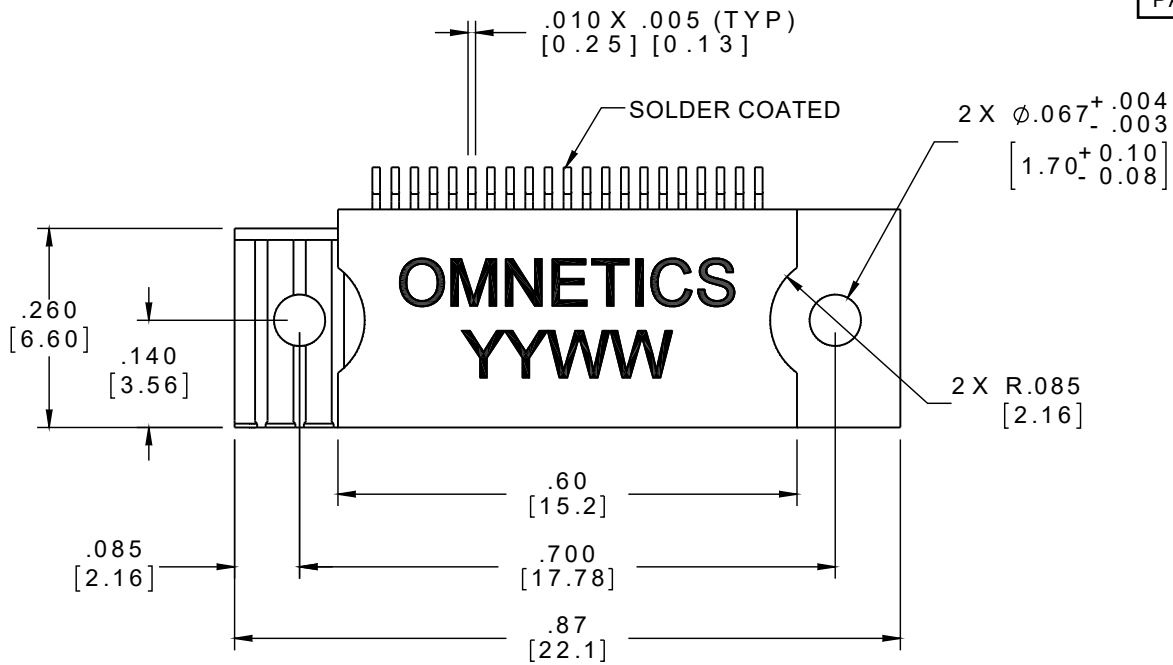
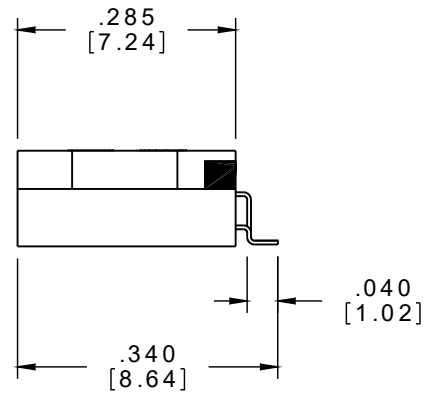
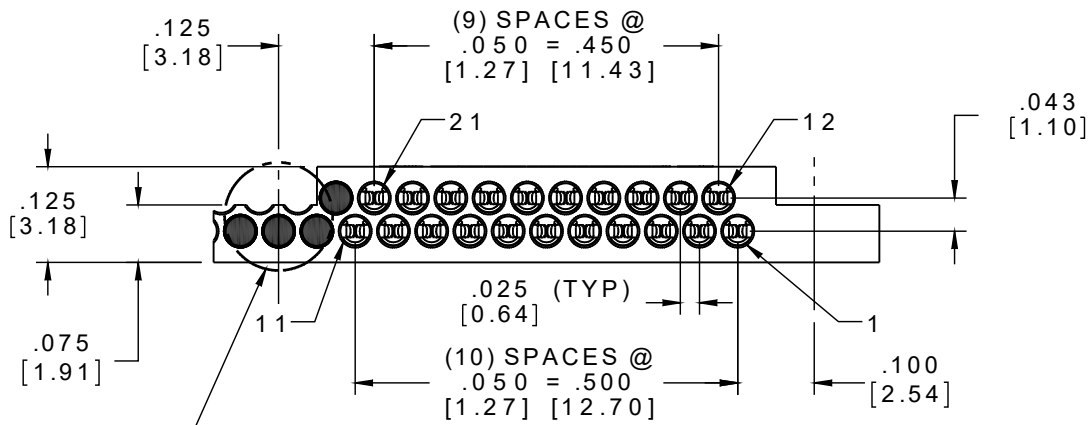


|          |             |     |       |          |     |
|----------|-------------|-----|-------|----------|-----|
| PART NO. | A102318-001 | REV | ECO   | DATE     | APP |
|          |             | A   | 99266 | 02-12-13 | TLM |



ACTUAL SIZE



NOTE:  
DIMENSIONS IN [ ] ARE IN MILLIMETERS UNLESS OTHERWISE NOTED AND ARE FOR REFERENCE ONLY

|             |  |  |               |
|-------------|--|--|---------------|
| PSM<br>S/DW | THIRD ANGLE  | THIS DRAWING CONTAINS CONFIDENTIAL AND PROPRIETARY INFORMATION WHICH IS THE PROPERTY OF OMNETICS CONNECTOR CORP. THIS DOCUMENT MAY NOT, IN WHOLE OR IN PART, BE DUPLICATED, OR DISCLOSED FOR ANY PURPOSE, WITHOUT WRITTEN PERMISSION FROM OMNETICS CONNECTOR CORP. |               |
|             | -TOLERANCES-<br>UNLESS OTHERWISE NOTED                               | DFTM. TLM  | DATE 11-05-12 |
|             | DIMENSIONS IN INCHES   | CHK'D.   | DATE          |
|             | 2 PL DEC ± .01<br>3 PL DEC ± .005<br>4 PL DEC ± .0005<br>ANGLES ± 1° | APP'D.   | DATE          |

**OMNETICS**  
CONNECTOR CORPORATION  
7260 COMMERCE CIRCLE EAST  
MINNEAPOLIS, MN 55432  
WWW.OMNETICS.COM

|                     |       |
|---------------------|-------|
| CAGE CODE 61873     |       |
| DWG NO. A102318-001 |       |
| SHEET 1 OF 1        | REV A |
| SCALE: 4:1          |       |

TITLE:  
(21) PIN MALE DUAL  
ROW OFFSET CONNECTOR  
W/MOUNTING HOLES