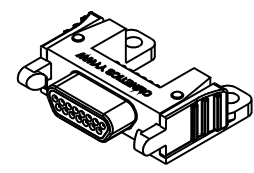
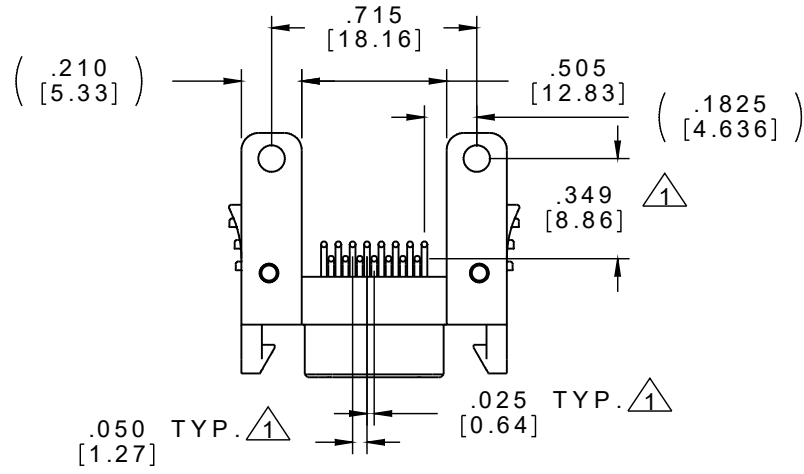
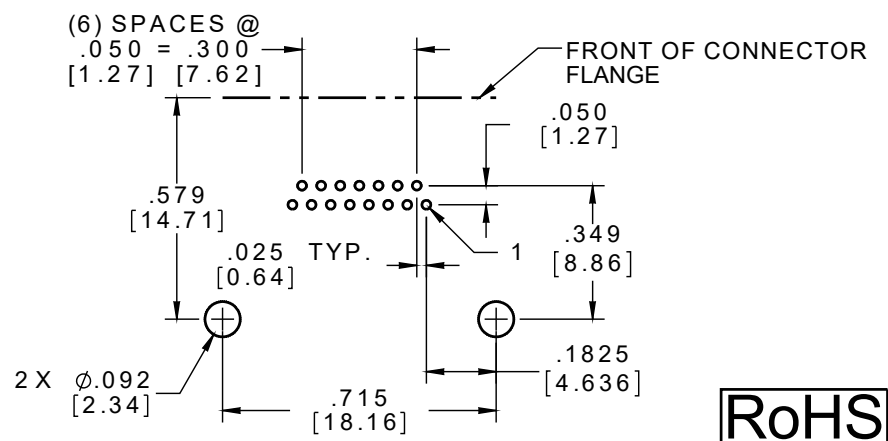
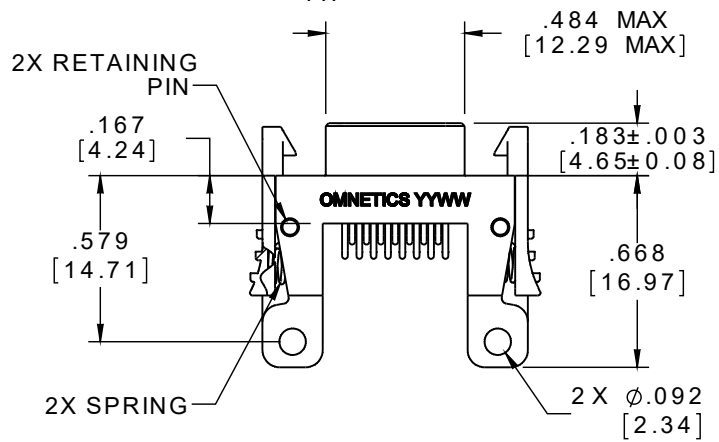
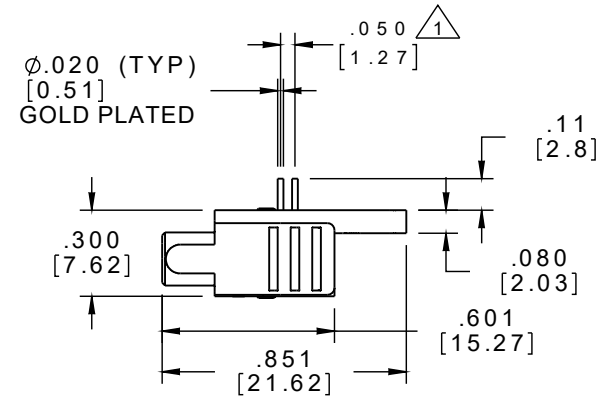
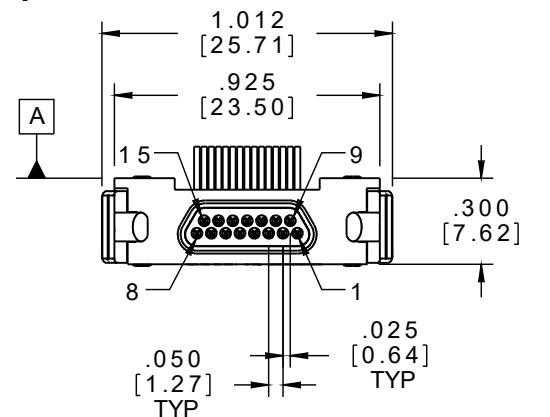


PART NO.	A106277-801	REV	ECO	DATE	APP
		B	101826	08-12-15	TLM



ACTUAL SIZE



SUGGESTED HOLE PATTERN

RoHS

NOTE:  
DIMENSIONS IN [ ] ARE IN MILLIMETERS UNLESS OTHERWISE NOTED AND ARE FOR REFERENCE ONLY  
▲ TAIL DIMENSIONS APPLY AT PLANE A

LMDP SIDW	THIRD ANGLE	THIS DRAWING CONTAINS CONFIDENTIAL AND PROPRIETARY INFORMATION WHICH IS THE PROPERTY OF OMNETICS CONNECTOR CORP. THIS DOCUMENT MAY NOT, IN WHOLE OR IN PART, BE DUPLICATED, OR DISCLOSED FOR ANY PURPOSE, WITHOUT WRITTEN PERMISSION FROM OMNETICS CONNECTOR CORP.
	-TOLERANCES-	
	UNLESS OTHERWISE NOTED	
	DIMENSIONS IN INCHES	

DFTM. BCV	DATE	02-17-15
CHK'D.	DATE	
APP'D.	DATE	

TITLE:  
(15) PIN MALE  
90° BOARD MOUNT  
MICRO-D CONNECTOR

**OMNETICS**  
CONNECTOR CORPORATION  
7260 COMMERCE CIRCLE EAST  
MINNEAPOLIS, MN 55432  
WWW.OMNETICS.COM

CAGE CODE 61873	
DWG NO. A106277-801	
SHEET 1 OF 1	REV B
SCALE: 3:2	