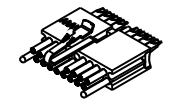
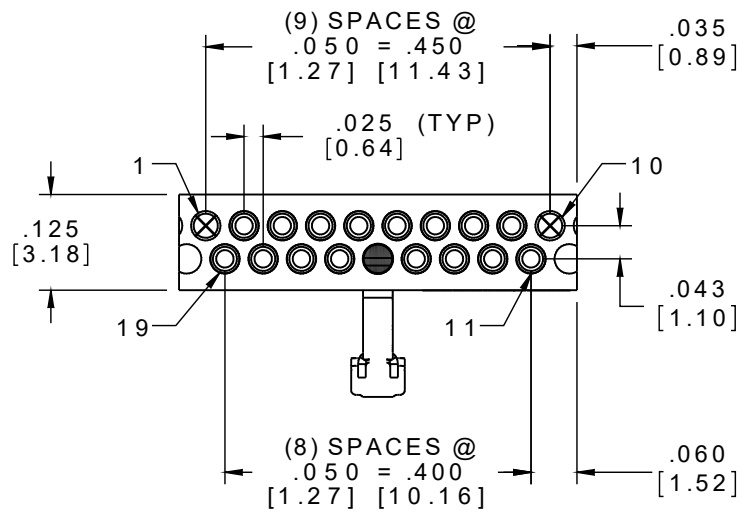
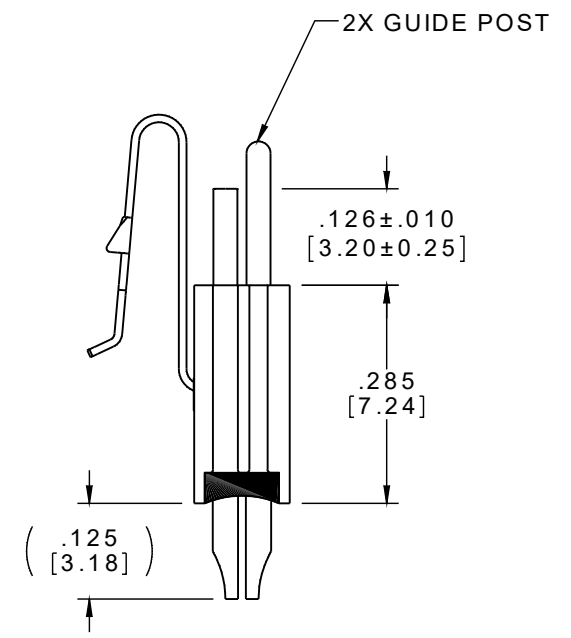
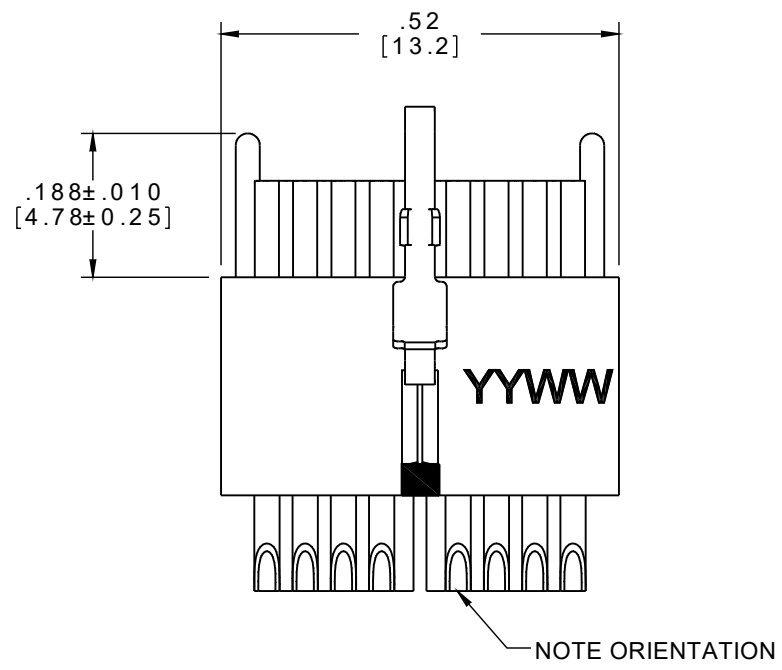


PART NO.	A106697-001	REV	ECO	DATE	APP
		A	101801	08-07-15	TLM



ACTUAL SIZE



NOTE:
 DIMENSIONS IN [] ARE IN MILLIMETERS UNLESS OTHERWISE NOTED AND ARE FOR REFERENCE ONLY

SSO OSD S/DW	THIRD ANGLE	THIS DRAWING CONTAINS CONFIDENTIAL AND PROPRIETARY INFORMATION WHICH IS THE PROPERTY OF OMNETICS CONNECTOR CORP. THIS DOCUMENT MAY NOT, IN WHOLE OR IN PART, BE DUPLICATED, OR DISCLOSED FOR ANY PURPOSE, WITHOUT WRITTEN PERMISSION FROM OMNETICS CONNECTOR CORP.	
	-TOLERANCES- UNLESS OTHERWISE NOTED DIMENSIONS IN INCHES	DFTM. MPA	DATE 05-18-15
	2 PL DEC ± .01	CHK'D.	DATE
	3 PL DEC ± .005	APP'D.	DATE
	4 PL DEC ± .0005	TITLE: (16) SOCKET FEMALE DUAL ROW OFFSET W/ LATCH & GUIDE POSTS	
	ANGLES ± 1°		

OMNETICS
 CONNECTOR CORPORATION
 7260 COMMERCE CIRCLE EAST
 MINNEAPOLIS, MN 55432
 WWW.OMNETICS.COM

CAGE CODE 61873	
DWG NO. A106697-001	
SHEET 1 OF 1	REV A
SCALE: 4:1	