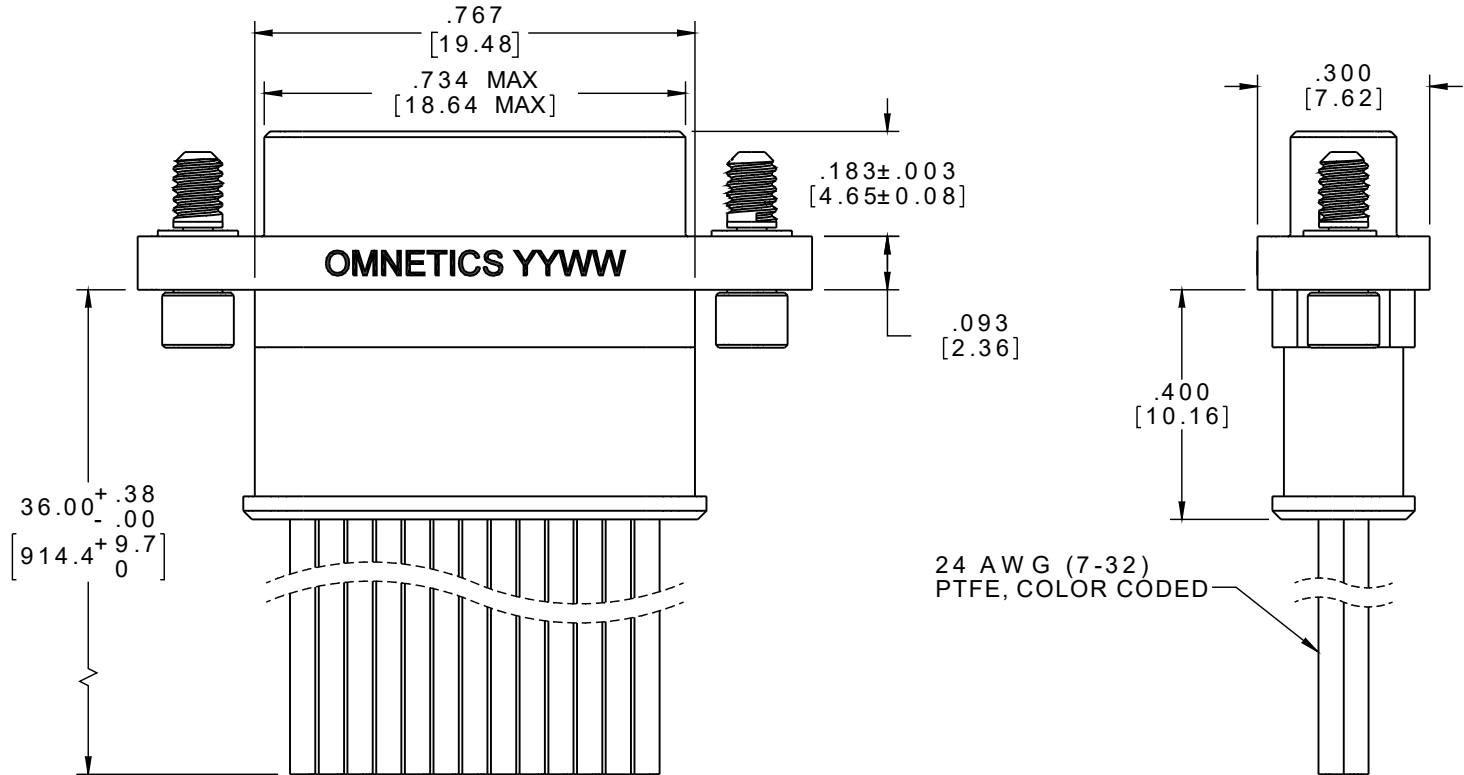
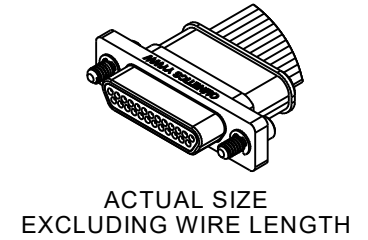
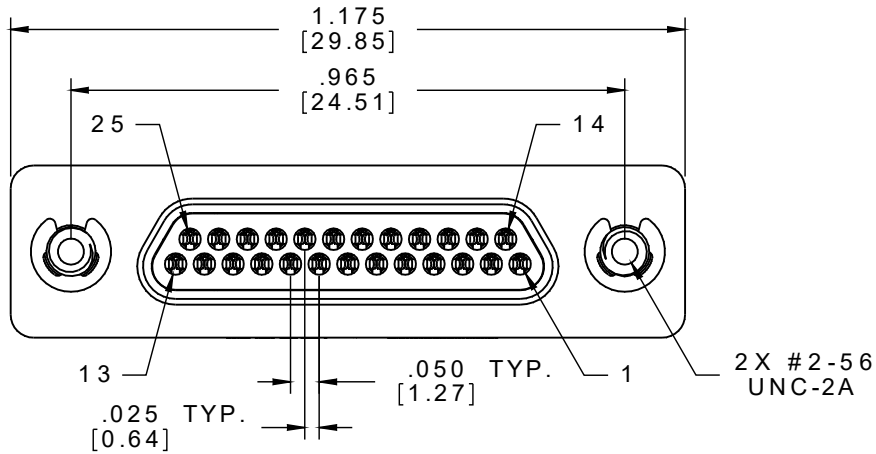


PART NO.	A107115-001	REV	ECO	DATE	APP
		B	103813	09-28-17	TLM

PIN #	COLOR
1	BLACK
2	BROWN
3	RED
4	ORANGE
5	YELLOW
6	GREEN
7	BLUE
8	VIOLET
9	GRAY
10	WHITE
11	WHT/BLACK
12	WHT/BROWN
13	WHT/RED
14	WHT/ORANGE
15	WHT/YELLOW
16	WHT/GREEN
17	WHT/BLUE
18	WHT/VIOLET
19	WHT/GRAY
20	WHT/BLK/BRN
21	WHT/BLK/RED
22	WHT/BLK/ORG
23	WHT/BLK/YEL
24	WHT/BLK/GRN
25	WHT/BLK/BLU



NOTE:

HOUSING TO BE CADMIUM PLATED

DIMENSIONS IN [ ] ARE IN MILLIMETERS UNLESS OTHERWISE NOTED AND ARE FOR REFERENCE ONLY

MMDP-025-C02-WD4Q36.0-4-A

MMDP SLDW	THIRD ANGLE	THIS DRAWING CONTAINS CONFIDENTIAL AND PROPRIETARY INFORMATION WHICH IS THE PROPERTY OF OMNETICS CONNECTOR CORP. THIS DOCUMENT MAY NOT, IN WHOLE OR IN PART, BE DUPLICATED, OR DISCLOSED FOR ANY PURPOSE, WITHOUT WRITTEN PERMISSION FROM OMNETICS CONNECTOR CORP.		<b>OMNETICS</b> CONNECTOR CORPORATION 7260 COMMERCE CIRCLE EAST MINNEAPOLIS, MN 55432 WWW.OMNETICS.COM	CAGE CODE 61873	
	-TOLERANCES- UNLESS OTHERWISE NOTED DIMENSIONS IN INCHES	DFTM. BCV	DATE 08-06-15		TITLE: (25) PIN MALE MICRO-D CONNECTOR W/ JACKSCREWS	DWG NO. A107115-001
	2 PL DEC ± .01	CHK'D.	DATE		SHEET 1 OF 2	
	3 PL DEC ± .005	APP'D.	DATE		REV B	SCALE: 3:1