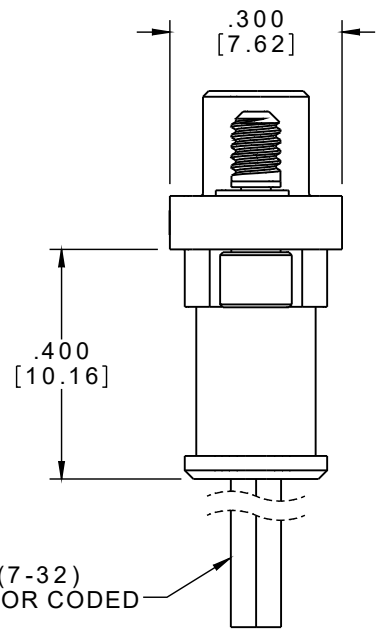
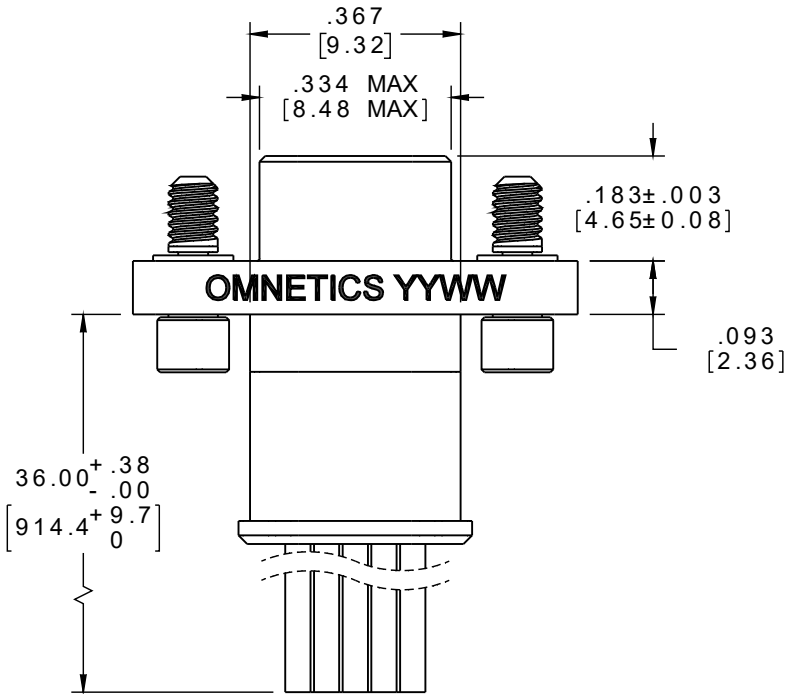
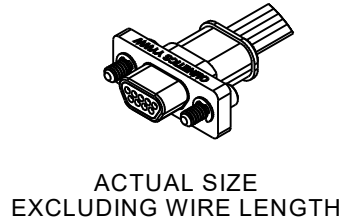
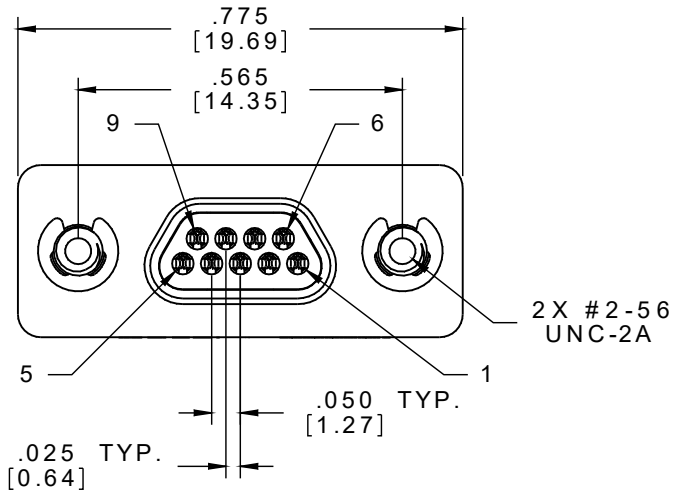


PART NO.	A107121-001	REV	ECO	DATE	APP
		B	103813	09-28-17	TLM

PIN #	COLOR
1	BLACK
2	BROWN
3	RED
4	ORANGE
5	YELLOW
6	GREEN
7	BLUE
8	VIOLET
9	GRAY



NOTE:
HOUSING TO BE CADMIUM PLATED

DIMENSIONS IN [] ARE IN MILLIMETERS UNLESS OTHERWISE NOTED AND ARE FOR REFERENCE ONLY

MMDP-009-C02-WD4Q36.0-4-A

MMDP SLDW	THIRD ANGLE	THIS DRAWING CONTAINS CONFIDENTIAL AND PROPRIETARY INFORMATION WHICH IS THE PROPERTY OF OMNETICS CONNECTOR CORP. THIS DOCUMENT MAY NOT, IN WHOLE OR IN PART, BE DUPLICATED, OR DISCLOSED FOR ANY PURPOSE, WITHOUT WRITTEN PERMISSION FROM OMNETICS CONNECTOR CORP.		OMNETICS	CAGE CODE 61873	
	-TOLERANCES- UNLESS OTHERWISE NOTED DIMENSIONS IN INCHES	DFTM. BCV	DATE 08-06-15		TITLE:	CONNECTOR CORPORATION
	2 PL DEC ± .01	CHK'D.	DATE	(9) PIN MALE	7260 COMMERCE CIRCLE EAST	SHEET 1 OF 1
	3 PL DEC ± .005	APP'D.	DATE	MICRO-D CONNECTOR W/ JACKSCREWS	MINNEAPOLIS, MN 55432	REV B
4 PL DEC ± .0005				WWW.OMNETICS.COM	SCALE: 3:1	
ANGLES ± 1°						