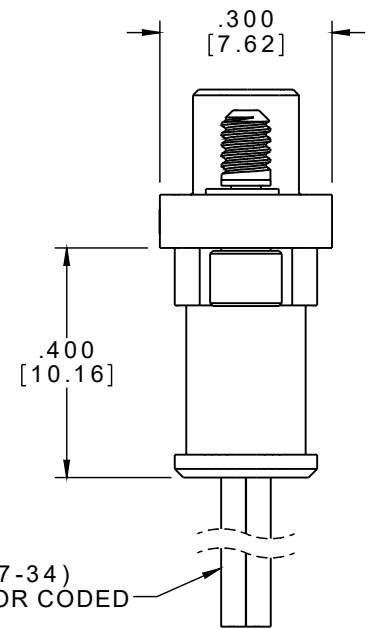
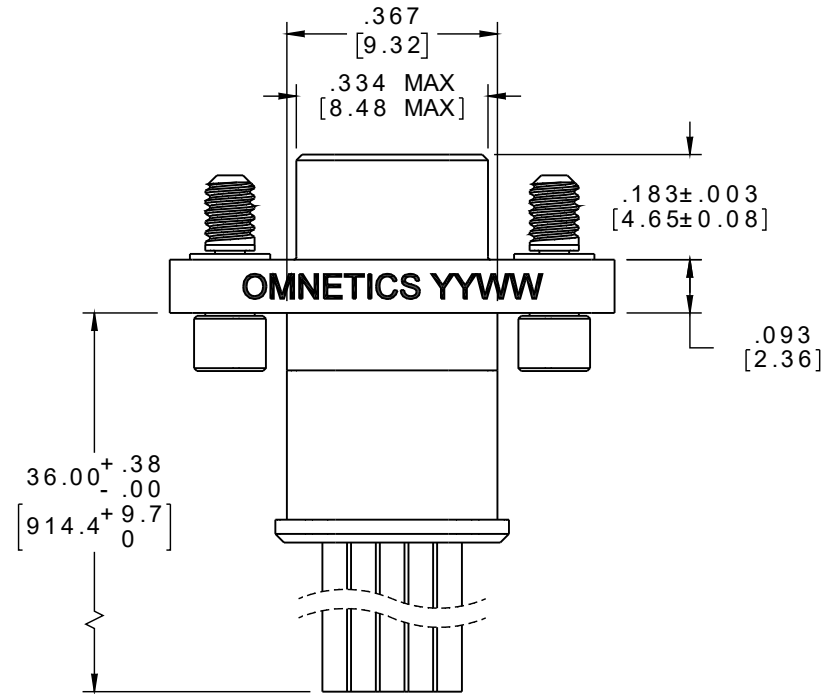
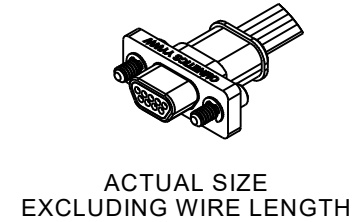
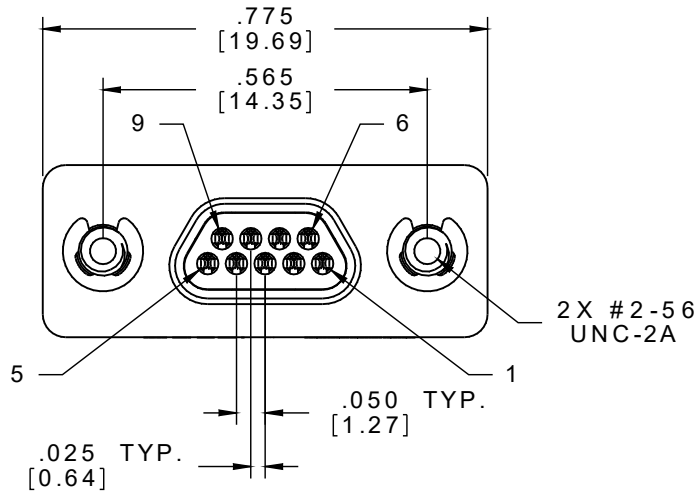


PART NO.	A 107123-001	REV	ECO	DATE	APP
		B	103813	09-28-17	TLM

PIN #	COLOR
1	BLACK
2	BROWN
3	RED
4	ORANGE
5	YELLOW
6	GREEN
7	BLUE
8	VIOLET
9	GRAY



MMDP-009-N02-W D6Q36.0-4-A

NOTE:
DIMENSIONS IN [] ARE IN MILLIMETERS UNLESS OTHERWISE NOTED AND ARE FOR REFERENCE ONLY

MMDP SLDW	THIRD ANGLE	THIS DRAWING CONTAINS CONFIDENTIAL AND PROPRIETARY INFORMATION WHICH IS THE PROPERTY OF OMNETICS CONNECTOR CORP. THIS DOCUMENT MAY NOT, IN WHOLE OR IN PART, BE DUPLICATED, OR DISCLOSED FOR ANY PURPOSE, WITHOUT WRITTEN PERMISSION FROM OMNETICS CONNECTOR CORP.	TITLE: (9) PIN MALE MICRO-D CONNECTOR W/ JACKSCREWS		 CONNECTOR CORPORATION 7260 COMMERCE CIRCLE EAST MINNEAPOLIS, MN 55432 WWW.OMNETICS.COM	CAGE CODE 61873	
	-TOLERANCES- UNLESS OTHERWISE NOTED DIMENSIONS IN INCHES					DATE	DATE
	2 PL DEC ± .01		08-06-15			A 107123-001	
	3 PL DEC ± .005					SHEET 1 OF 1	
4 PL DEC ± .0005			REV				
ANGLES ± 1°	APP'D.			B		SCALE: 3:1	