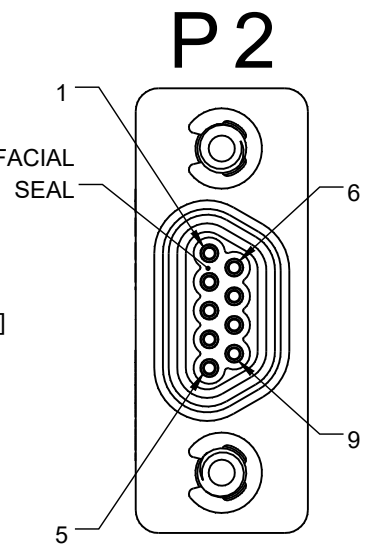
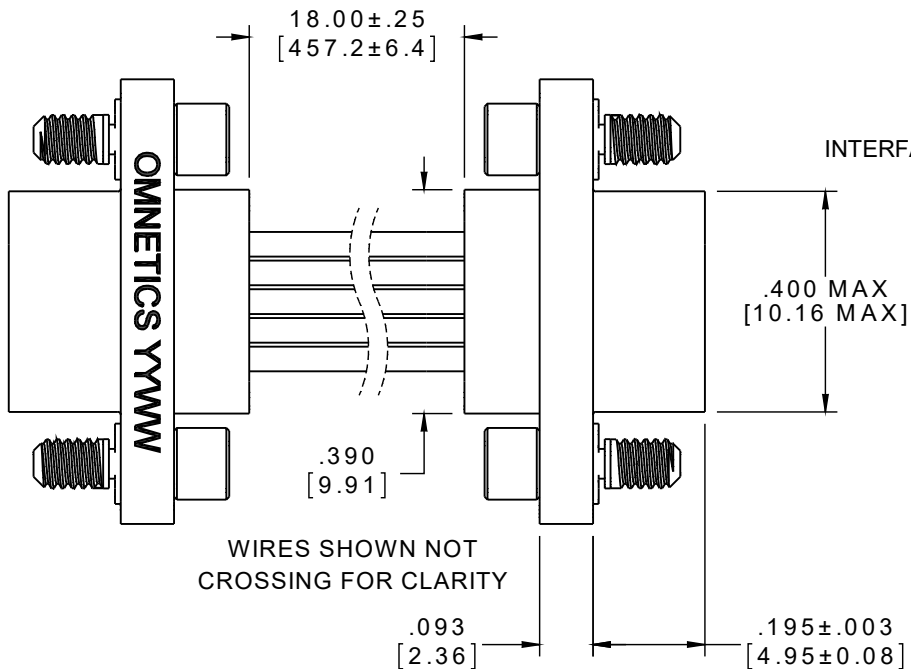
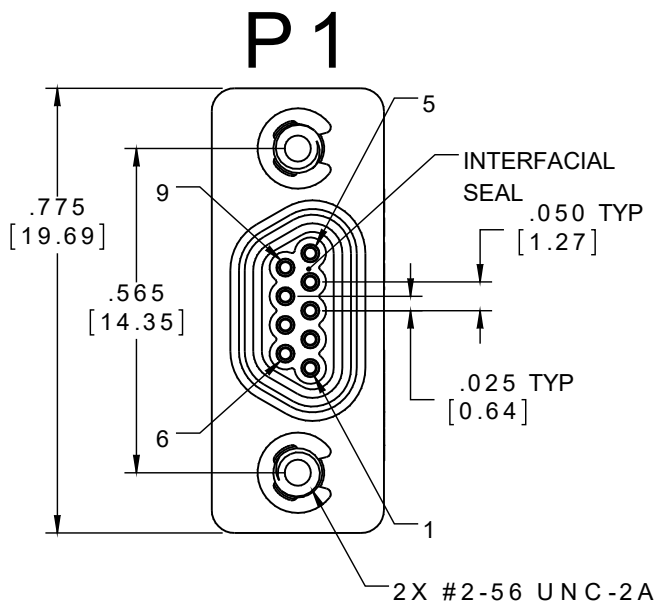
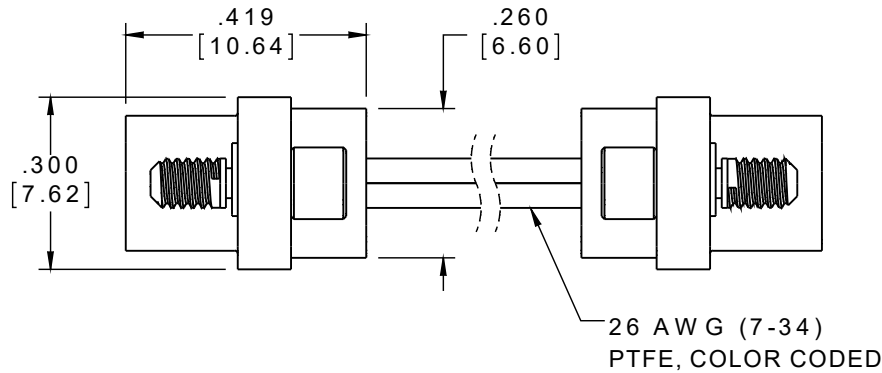


PART NO.	A 107262-001	REV	ECO	DATE	APP
		A	101998	10-15-15	TLM

SOCKET #	COLOR
1	BLACK
2	BROWN
3	RED
4	ORANGE
5	YELLOW
6	GREEN
7	BLUE
8	VIOLET
9	GRAY



NOTE:  
USE HIGH TEMP EPOXY  
WIRE CONNECTOR 1 TO 1,  
2 TO 2, 3 TO 3, ETC.

DIMENSIONS APPLY TO  
BOTH CONNECTORS

DIMENSIONS IN [ ] ARE IN  
MILLIMETERS UNLESS  
OTHERWISE NOTED AND ARE  
FOR REFERENCE ONLY

MINDX SLDW	THIRD ANGLE
	-TOLERANCES-
	UNLESS OTHERWISE NOTED
	DIMENSIONS IN INCHES
2 PL DEC ± .01	
3 PL DEC ± .005	
4 PL DEC ± .0005	
ANGLES ± 1°	

THIS DRAWING CONTAINS CONFIDENTIAL AND PROPRIETARY INFORMATION WHICH IS THE PROPERTY OF OMNETICS CONNECTOR CORP. THIS DOCUMENT MAY NOT, IN WHOLE OR IN PART, BE DUPLICATED, OR DISCLOSED FOR ANY PURPOSE, WITHOUT WRITTEN PERMISSION FROM OMNETICS CONNECTOR CORP.	
DFTM. HV	DATE 09-04-15
CHK'D.	DATE
APP'D.	DATE
TITLE: (9) LINE FEMALE MICRO-D JUMPER	

**OMNETICS**  
CONNECTOR CORPORATION  
7260 COMMERCE CIRCLE EAST  
MINNEAPOLIS, MN 55432  
WWW.OMNETICS.COM

CAGE CODE 61873	
DWG NO. A107262-001	
SHEET 1 OF 1	REV A
SCALE: 3:1	