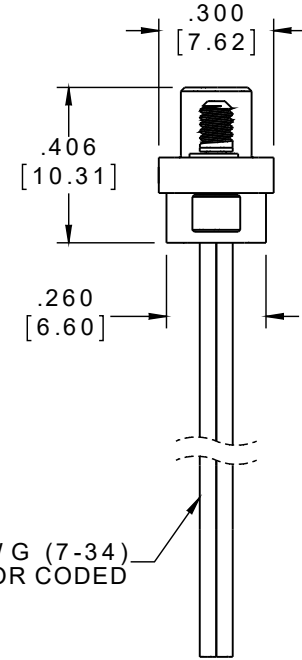
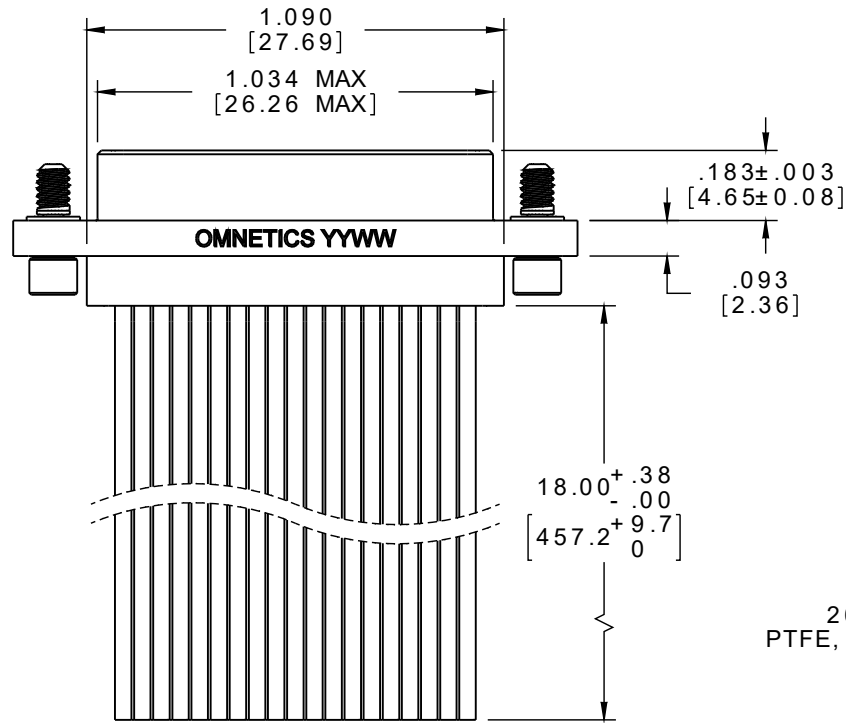
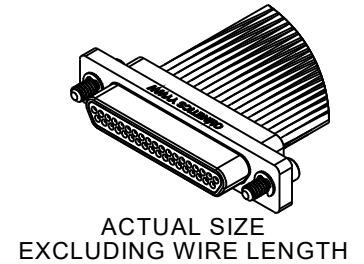
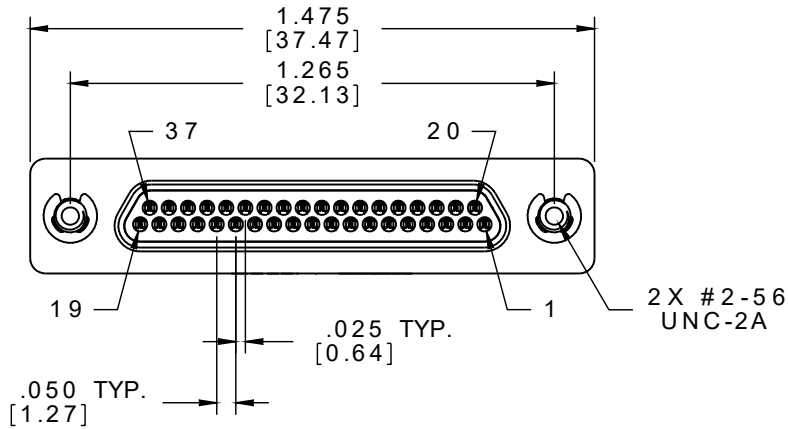


PART NO.	A107757-001	REV	ECO	DATE	APP
		A	102273	01-27-16	TLM

PIN #	COLOR
1	BLACK
2	BROWN
3	RED
4	ORANGE
5	YELLOW
6	GREEN
7	BLUE
8	VIOLET
9	GRAY
10	WHITE
11	WHT/BLK
12	WHT/BRN
13	WHT/RED
14	WHT/ORG
15	WHT/YEL
16	WHT/GRN
17	WHT/BLU
18	WHT/VIO
19	WHT/GRY
20	WHT/BLK/BRN
21	WHT/BLK/RED
22	WHT/BLK/ORG
23	WHT/BLK/YEL
24	WHT/BLK/GRN
25	WHT/BLK/BLU
26	WHT/BLK/VIO
27	WHT/BLK/GRY
28	WHT/BRN/RED
29	WHT/BRN/ORG
30	WHT/BRN/YEL
31	WHT/BRN/GRN
32	WHT/BRN/BLU
33	WHT/BRN/VIO
34	WHT/BRN/GRY
35	WHT/RED/ORG
36	WHT/RED/YEL
37	WHT/RED/GRN



26 AWG (7-34)
PTFE, COLOR CODED

NOTE:

DIMENSIONS IN [] ARE IN MILLIMETERS UNLESS OTHERWISE NOTED AND ARE FOR REFERENCE ONLY

MMDP SLDW	THIRD ANGLE
	-TOLERANCES-
	UNLESS OTHERWISE NOTED
	DIMENSIONS IN INCHES
	2 PL DEC ± .01
	3 PL DEC ± .005
	4 PL DEC ± .0005
	ANGLES ± 1°

THIS DRAWING CONTAINS CONFIDENTIAL AND PROPRIETARY INFORMATION WHICH IS THE PROPERTY OF OMNETICS CONNECTOR CORP. THIS DOCUMENT MAY NOT, IN WHOLE OR IN PART, BE DUPLICATED, OR DISCLOSED FOR ANY PURPOSE, WITHOUT WRITTEN PERMISSION FROM OMNETICS CONNECTOR CORP.	
DFTM. HV	DATE 01-05-16
CHK'D.	DATE
APP'D.	DATE
TITLE: (37) PIN MALE MICRO-D CONNECTOR W/ JACKSCREWS	

OMNETICS
CONNECTOR CORPORATION
7260 COMMERCE CIRCLE EAST
MINNEAPOLIS, MN 55432
WWW.OMNETICS.COM

CAGE CODE 61873	
DWG NO. A107757-001	
SHEET 1 OF 2	REV A
SCALE: 2:1	