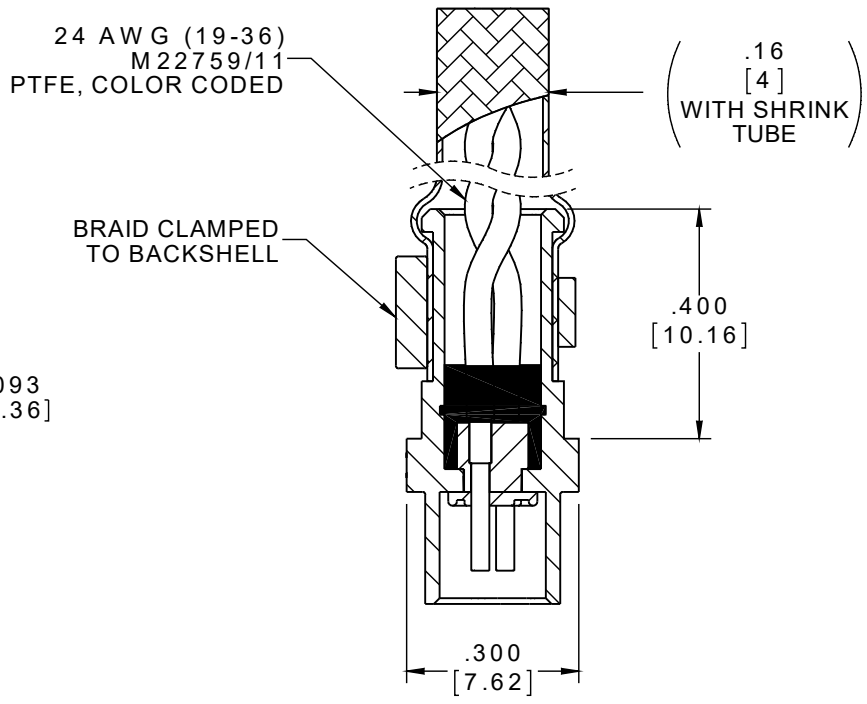
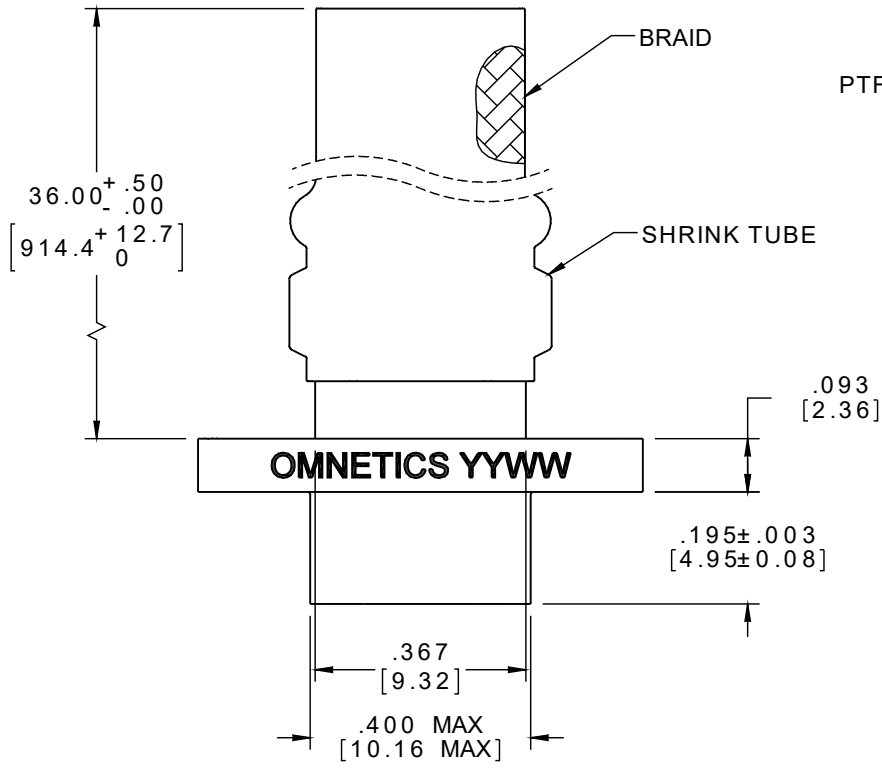
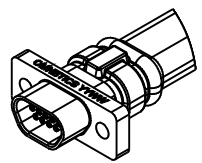
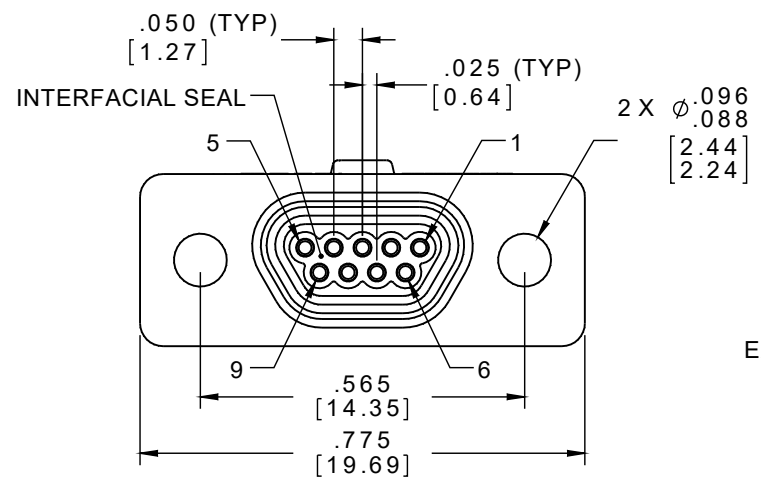


PART NO.	A108159-001	REV	ECO	DATE	APP
		A	102702	06-30-16	TLM



VIEW SHOWN LESS SHRINK TUBE



ACTUAL SIZE EXCLUDING WIRE LENGTH

SOCKET #	COLOR	TWISTED PAIR
1	BLACK	[Twisted Pair Icon]
6	BROWN	
2	RED	[Twisted Pair Icon]
7	ORANGE	
3	YELLOW	[Twisted Pair Icon]
8	GREEN	
4	LEADLESS	-
5		
9		

NOTE:
DIMENSIONS IN [] ARE IN MILLIMETERS UNLESS OTHERWISE NOTED AND ARE FOR REFERENCE ONLY

MINDS S/DW	THIRD ANGLE
	-TOLERANCES-
	UNLESS OTHERWISE NOTED
	DIMENSIONS IN INCHES
2	PL DEC ± .01
3	PL DEC ± .005
4	PL DEC ± .0005
	ANGLES ± 1°

THIS DRAWING CONTAINS CONFIDENTIAL AND PROPRIETARY INFORMATION WHICH IS THE PROPERTY OF OMNETICS CONNECTOR CORP. THIS DOCUMENT MAY NOT, IN WHOLE OR IN PART, BE DUPLICATED, OR DISCLOSED FOR ANY PURPOSE, WITHOUT WRITTEN PERMISSION FROM OMNETICS CONNECTOR CORP.	
DFTM. HV	DATE 03-29-16
CHK'D.	DATE
APP'D.	DATE
TITLE: (9) SOCKET FEMALE MICRO-D CONNECTOR W/BACKSHELL	

OMNETICS
CONNECTOR CORPORATION
7260 COMMERCE CIRCLE EAST
MINNEAPOLIS, MN 55432
WWW.OMNETICS.COM

CAGE CODE 61873	
DWG NO. A108159-001	
SHEET 1 OF 2	REV A
SCALE: 3:1	