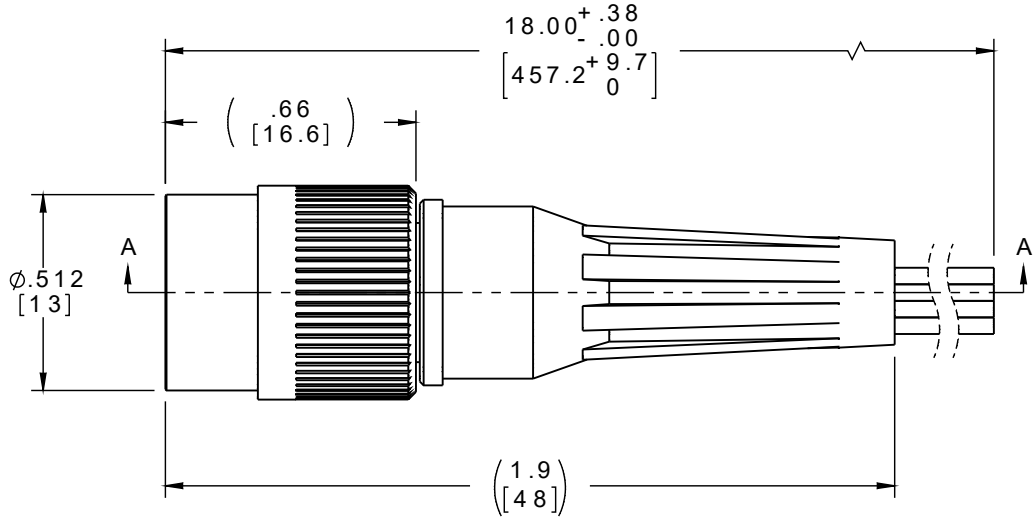
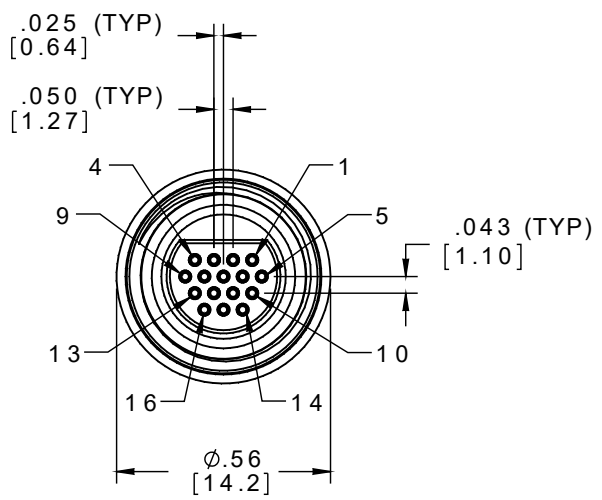
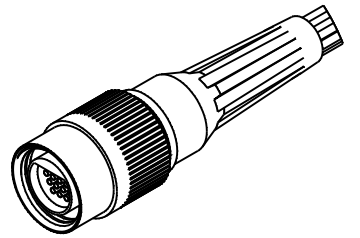


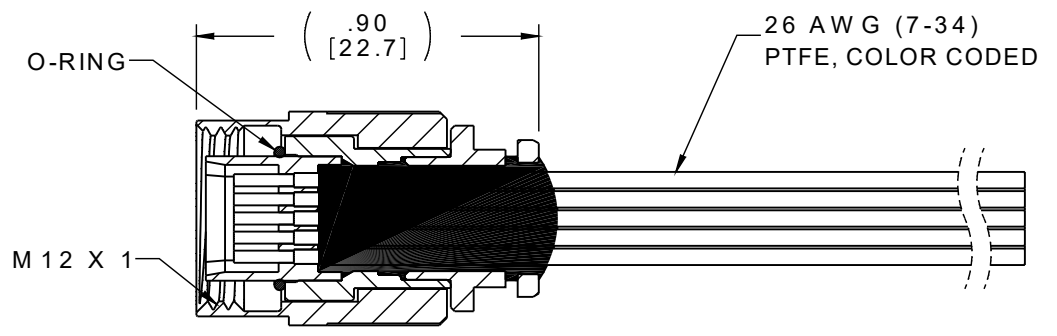
PART NO.	A108319-001	REV	ECO	DATE	APP
		A	102664	06-16-16	TLM



SOCKET #	COLOR
1	BLACK
2	BROWN
3	RED
4	ORANGE
5	YELLOW
6	GREEN
7	BLUE
8	VIOLET
9	GRAY
10	WHITE
11	WHT/BLK
12	WHT/BRN
13	WHT/RED
14	WHT/ORG
15	WHT/YEL
16	WHT/GRN



ACTUAL SIZE
EXCLUDING WIRE LENGTH



SECTION A-A
LESS STRAIN RELIEF

NOTE:
DIMENSIONS IN [] ARE IN MILLIMETERS UNLESS OTHERWISE NOTED AND ARE FOR REFERENCE ONLY

MMCS / SLDW	THIRD ANGLE	THIS DRAWING CONTAINS CONFIDENTIAL AND PROPRIETARY INFORMATION WHICH IS THE PROPERTY OF OMNETICS CONNECTOR CORP. THIS DOCUMENT MAY NOT, IN WHOLE OR IN PART, BE DUPLICATED, OR DISCLOSED FOR ANY PURPOSE, WITHOUT WRITTEN PERMISSION FROM OMNETICS CONNECTOR CORP.		OMNETICS	CAGE CODE 61873	
	-TOLERANCES- UNLESS OTHERWISE NOTED DIMENSIONS IN INCHES	DFTM. HV	DATE 05-04-16		DWG NO. A108319-001	
	2 PL DEC ± .01	CHK'D.	DATE	CONNECTOR CORPORATION		SHEET 1 OF 1
	3 PL DEC ± .005	APP'D.	DATE	7260 COMMERCE CIRCLE EAST MINNEAPOLIS, MN 55432 WWW.OMNETICS.COM		
4 PL DEC ± .0005	TITLE: (16) SOCKET FEMALE CIRCULAR CONNECTOR W/METAL SHELL		SCALE: 2:1			
ANGLES ± 1°						