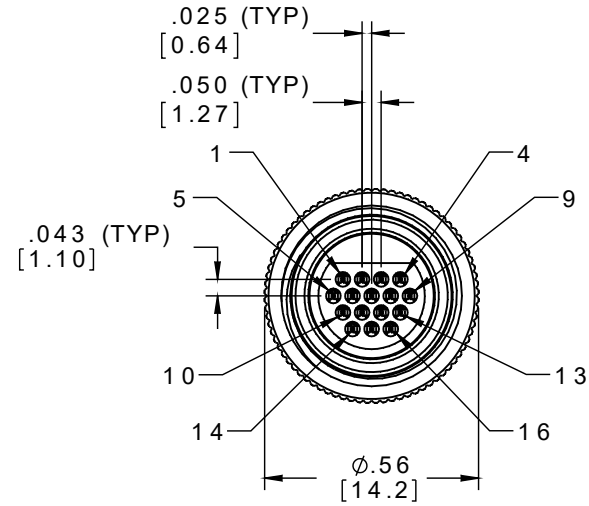
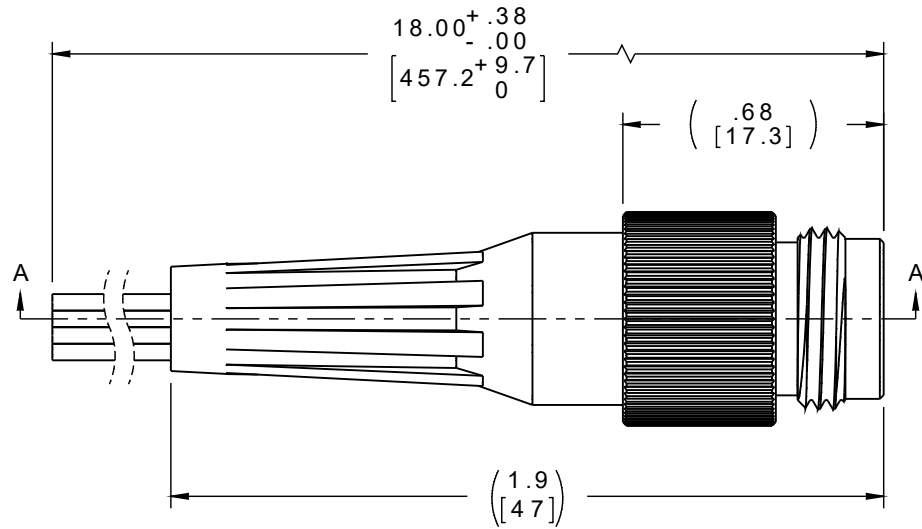
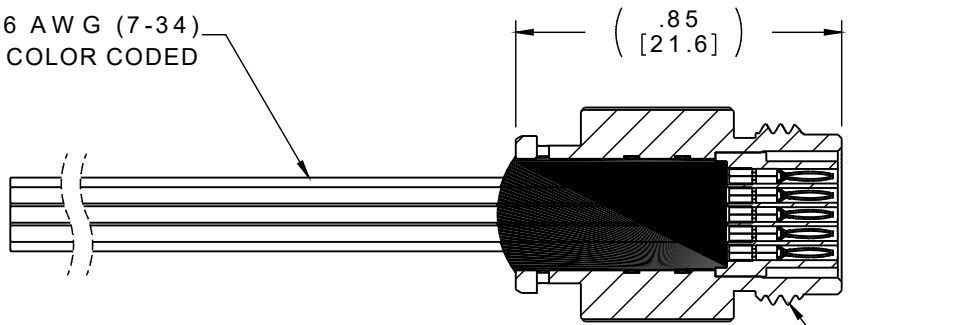


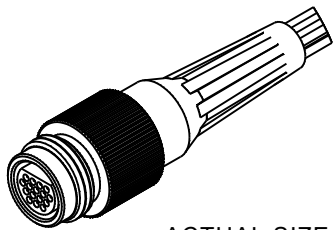
PART NO.	A108320-001	REV	ECO	DATE	APP
		A	102664	06-16-16	TLM



26 AWG (7-34)
PTFE, COLOR CODED



SECTION A-A
LESS STRAIN RELIEF



ACTUAL SIZE
EXCLUDING WIRE LENGTH

PIN #	COLOR
1	BLACK
2	BROWN
3	RED
4	ORANGE
5	YELLOW
6	GREEN
7	BLUE
8	VIOLET
9	GRAY
10	WHITE
11	WHT/BLK
12	WHT/BRN
13	WHT/RED
14	WHT/ORG
15	WHT/YEL
16	WHT/GRN

NOTE:

DIMENSIONS IN [] ARE IN MILLIMETERS UNLESS OTHERWISE NOTED AND ARE FOR REFERENCE ONLY

MMQP SLDW	THIRD ANGLE	THIS DRAWING CONTAINS CONFIDENTIAL AND PROPRIETARY INFORMATION WHICH IS THE PROPERTY OF OMNETICS CONNECTOR CORP. THIS DOCUMENT MAY NOT, IN WHOLE OR IN PART, BE DUPLICATED, OR DISCLOSED FOR ANY PURPOSE, WITHOUT WRITTEN PERMISSION FROM OMNETICS CONNECTOR CORP.	
	-TOLERANCES- UNLESS OTHERWISE NOTED DIMENSIONS IN INCHES	DFTM. HV	DATE 05-04-16
	2 PL DEC ± .01	CHK'D.	DATE
	3 PL DEC ± .005	APP'D.	DATE

TITLE:
(16) PIN MALE
CIRCULAR CONNECTOR
W/METAL SHELL

OMNETICS
CONNECTOR CORPORATION
7260 COMMERCE CIRCLE EAST
MINNEAPOLIS, MN 55432
WWW.OMNETICS.COM

CAGE CODE 61873	
DWG NO. A108320-001	
SHEET 1 OF 1	REV A
SCALE: 2:1	