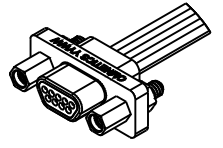
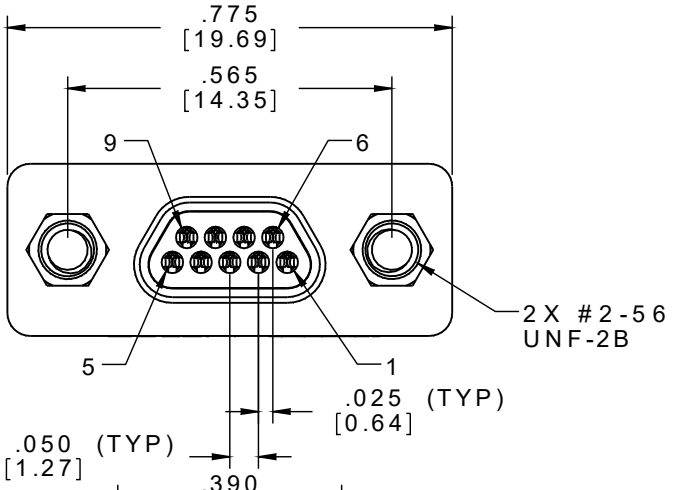
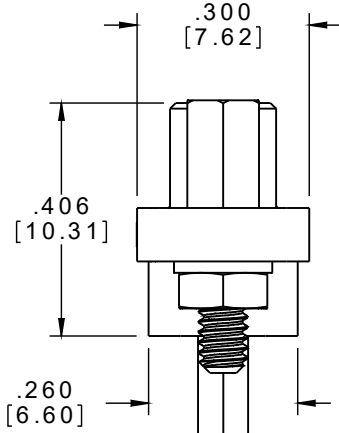
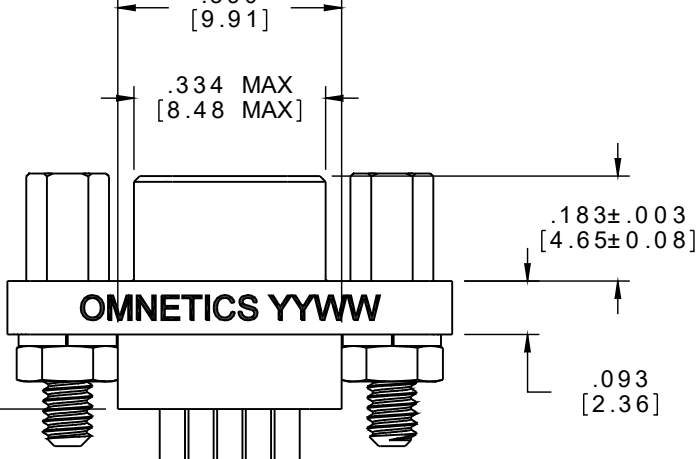


PART NO.	A110144-801	REV	ECO	DATE	APP
		A	103808	09-27-17	TLM

PIN #	COLOR
1	BLACK
2	BROWN
3	RED
4	ORANGE
5	YELLOW
6	GREEN
7	BLUE
8	VIOLET
9	GRAY



ACTUAL SIZE
EXCLUDING WIRE LENGTH



24 AWG (19-36)
M22759/11
PTFE, COLOR CODED

36.00⁺.38
- .00
[914.4⁺9.7
0

RoHS

NOTE:
DIMENSIONS IN [] ARE IN MILLIMETERS UNLESS OTHERWISE NOTED AND ARE FOR REFERENCE ONLY

MMDP SLDW	THIRD ANGLE
	-TOLERANCES-
	UNLESS OTHERWISE NOTED
	DIMENSIONS IN INCHES
	2 PL DEC ± .01
	3 PL DEC ± .005
	4 PL DEC ± .0005
	ANGLES ± 1°

THIS DRAWING CONTAINS CONFIDENTIAL AND PROPRIETARY INFORMATION WHICH IS THE PROPERTY OF OMNETICS CONNECTOR CORP. THIS DOCUMENT MAY NOT, IN WHOLE OR IN PART, BE DUPLICATED, OR DISCLOSED FOR ANY PURPOSE, WITHOUT WRITTEN PERMISSION FROM OMNETICS CONNECTOR CORP.	
DFTM. EDG	DATE 06-26-17
CHK'D.	DATE
APP'D.	DATE
TITLE: (9) PIN MALE MICRO-D CONNECTOR W/JACKPOSTS	

OMNETICS
CONNECTOR CORPORATION
7260 COMMERCE CIRCLE EAST
MINNEAPOLIS, MN 55432
WWW.OMNETICS.COM

CAGE CODE 61873	
DWG NO. A110144-801	
SHEET 1 OF 1	REV A
SCALE: 3:1	