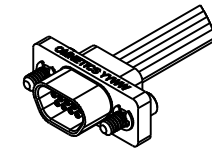
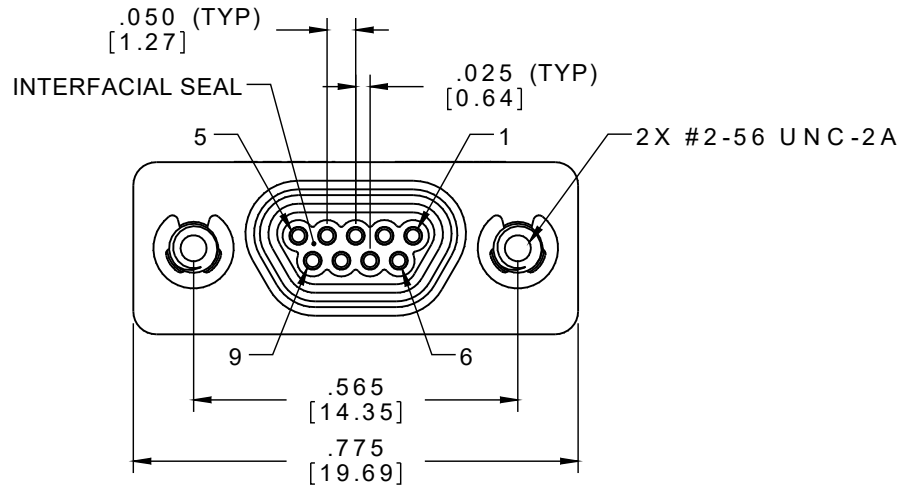
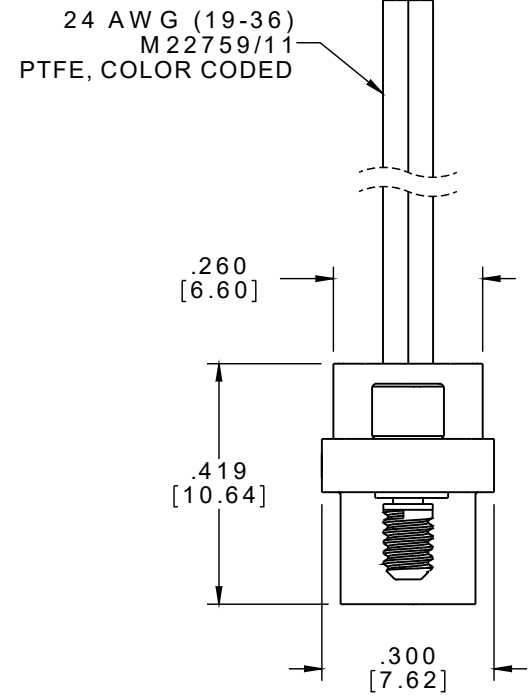
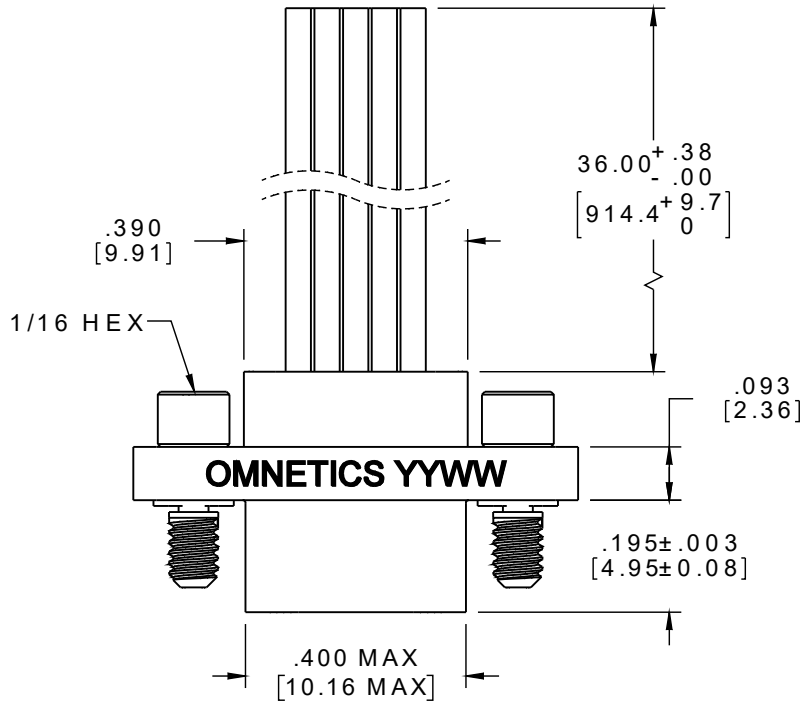


PART NO.	A110145-801	REV	ECO	DATE	APP
		A	103808	09-27-17	TLM

SOCKET #	COLOR
1	BLACK
2	BROWN
3	RED
4	ORANGE
5	YELLOW
6	GREEN
7	BLUE
8	VIOLET
9	GRAY



ACTUAL SIZE
EXCLUDING WIRE LENGTH

RoHS

NOTE:

DIMENSIONS IN [] ARE IN MILLIMETERS UNLESS OTHERWISE NOTED AND ARE FOR REFERENCE ONLY

MMDS / SLDW	THIRD ANGLE	THIS DRAWING CONTAINS CONFIDENTIAL AND PROPRIETARY INFORMATION WHICH IS THE PROPERTY OF OMNETICS CONNECTOR CORP. THIS DOCUMENT MAY NOT, IN WHOLE OR IN PART, BE DUPLICATED, OR DISCLOSED FOR ANY PURPOSE, WITHOUT WRITTEN PERMISSION FROM OMNETICS CONNECTOR CORP.	DATE 06-26-17	TITLE: (9) SOCKET FEMALE MICRO-D CONNECTOR W/JACKSCREWS	CAGE CODE 61873				
	-TOLERANCES-					DATE 06-26-17	DWG NO. A110145-801		
	UNLESS OTHERWISE NOTED							DATE 06-26-17	REV A
	DIMENSIONS IN INCHES								
2 PL DEC ± .01	DATE 06-26-17	APP'D.							
3 PL DEC ± .005									
4 PL DEC ± .0005									
ANGLES ± 1°									

OMNETICS
CONNECTOR CORPORATION
7260 COMMERCE CIRCLE EAST
MINNEAPOLIS, MN 55432
WWW.OMNETICS.COM