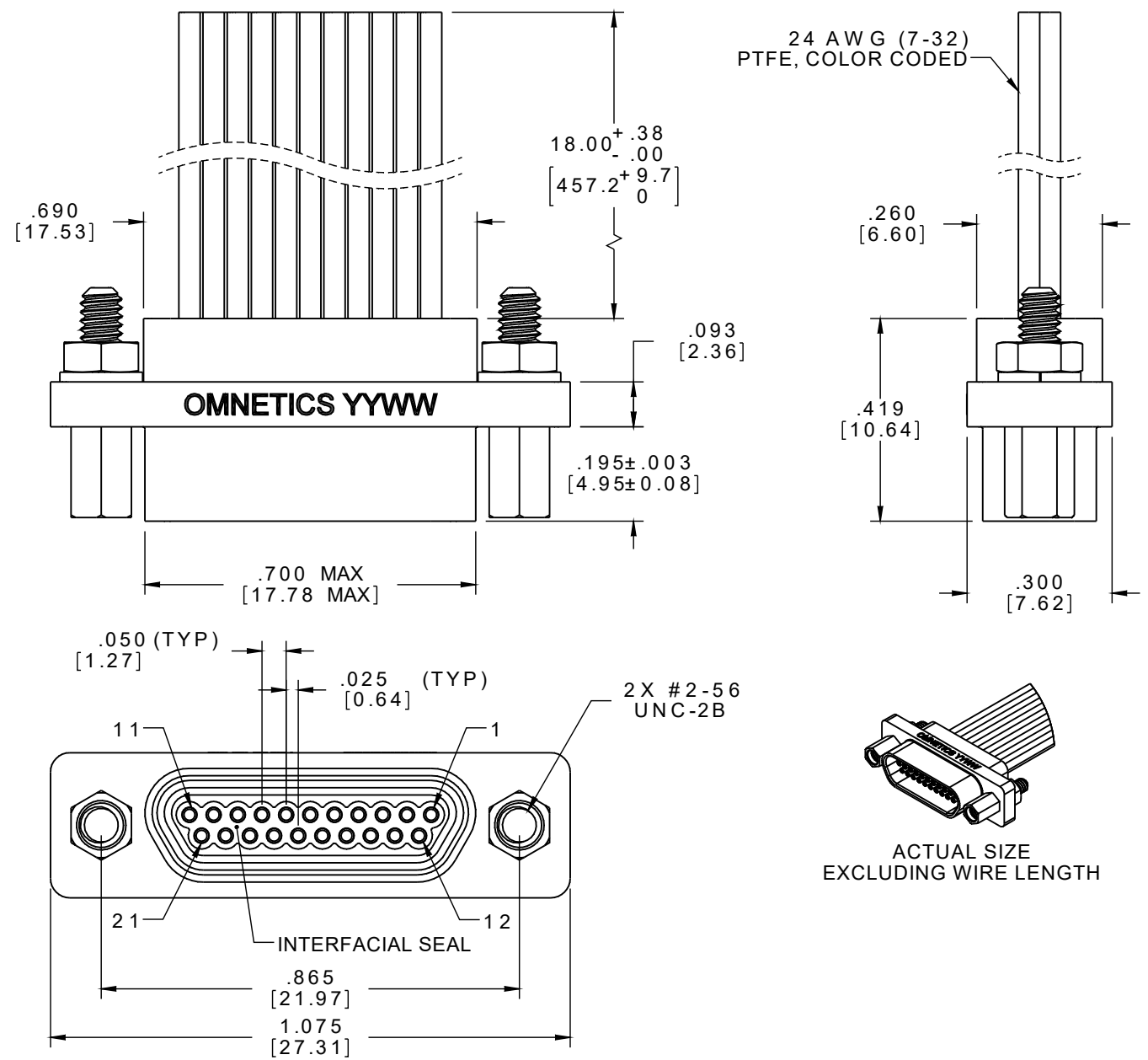


SOCKET #	COLOR
1	BLACK
2	BROWN
3	RED
4	ORANGE
5	YELLOW
6	GREEN
7	BLUE
8	VIOLET
9	GRAY
10	WHITE
11	WHT/BLACK
12	WHT/BROWN
13	WHT/RED
14	WHT/ORANGE
15	WHT/YELLOW
16	WHT/GREEN
17	WHT/BLUE
18	WHT/VIOLET
19	WHT/GRAY
20	WHT/BLK/BRN
21	WHT/BLK/RED

PART NO.	A 110273-001	REV	ECO	DATE	APP
		A	103808	09-27-17	TLM



NOTE:
DIMENSIONS IN [] ARE IN MILLIMETERS UNLESS OTHERWISE NOTED AND ARE FOR REFERENCE ONLY

MMSD SLDW	THIRD ANGLE	THIS DRAWING CONTAINS CONFIDENTIAL AND PROPRIETARY INFORMATION WHICH IS THE PROPERTY OF OMNETICS CONNECTOR CORP. THIS DOCUMENT MAY NOT, IN WHOLE OR IN PART, BE DUPLICATED, OR DISCLOSED FOR ANY PURPOSE, WITHOUT WRITTEN PERMISSION FROM OMNETICS CONNECTOR CORP.		OMNETICS	CAGE CODE 61873	
	-TOLERANCES- UNLESS OTHERWISE NOTED DIMENSIONS IN INCHES	DFTM. EDG	DATE 08-04-17		CONNECTOR CORPORATION	DWG NO. A110273-001
	2 PL DEC $\pm .01$	CHK'D.	DATE	7260 COMMERCE CIRCLE EAST MINNEAPOLIS, MN 55432 WWW.OMNETICS.COM	SHEET 1 OF 2	REV
	3 PL DEC $\pm .005$	APP'D.	DATE		SCALE: 3:1	A