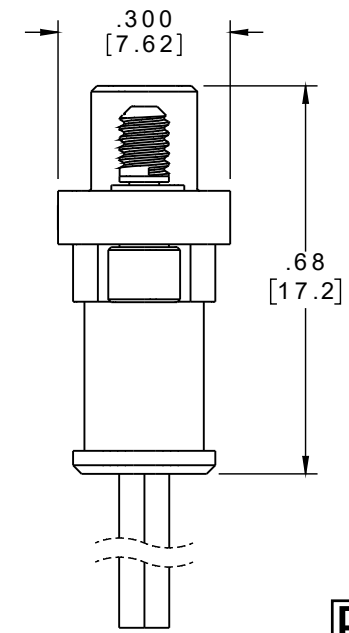
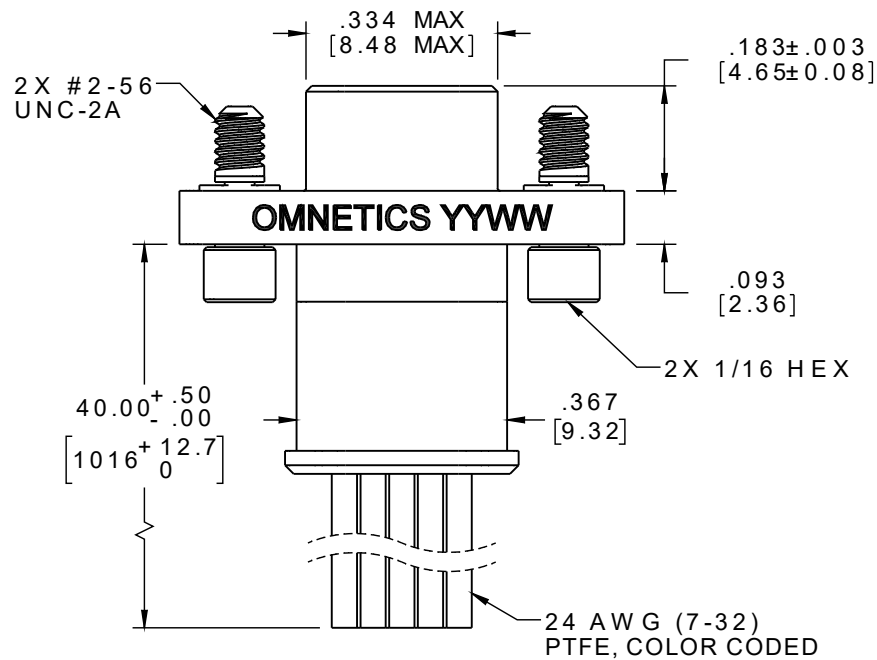
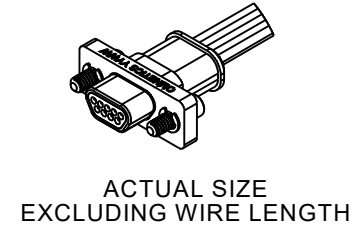
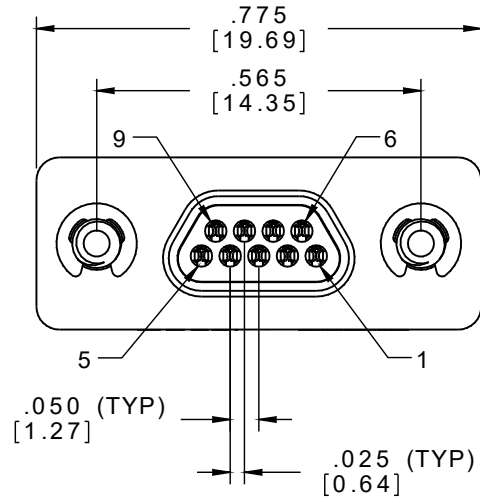


PART NO.	A110625-801	REV	ECO	DATE	APP
		A	104981	10-31-18	HV

PIN #	COLOR
1	BLACK
2	BROWN
3	RED
4	ORANGE
5	YELLOW
6	GREEN
7	BLUE
8	VIOLET
9	GRAY



**RoHS**

NOTE:  
USE HIGH TEMP EPOXY  
DIMENSIONS IN [ ] ARE IN MILLIMETERS UNLESS OTHERWISE NOTED AND ARE FOR REFERENCE ONLY

MMDP SLDW	THIRD ANGLE	THIS DRAWING CONTAINS CONFIDENTIAL AND PROPRIETARY INFORMATION WHICH IS THE PROPERTY OF OMNETICS CONNECTOR CORP. THIS DOCUMENT MAY NOT, IN WHOLE OR IN PART, BE DUPLICATED, OR DISCLOSED FOR ANY PURPOSE, WITHOUT WRITTEN PERMISSION FROM OMNETICS CONNECTOR CORP.	
	-TOLERANCES-	DFTM. MAZ	TITLE:
	UNLESS OTHERWISE NOTED	DATE 10-19-17	(9) PIN MALE
	DIMENSIONS IN INCHES	DATE	MICRO-D CONNECTOR
2 PL DEC ± .01	DATE	W/JACKSCREWS	
3 PL DEC ± .005	DATE		
4 PL DEC ± .0005	DATE		
ANGLES ± 1°	DATE		

**OMNETICS**  
CONNECTOR CORPORATION  
7260 COMMERCE CIRCLE EAST  
MINNEAPOLIS, MN 55432  
WWW.OMNETICS.COM

CAGE CODE 61873	
DWG NO. A110625-801	
SHEET 1 OF 1	REV A
SCALE: 3:1	