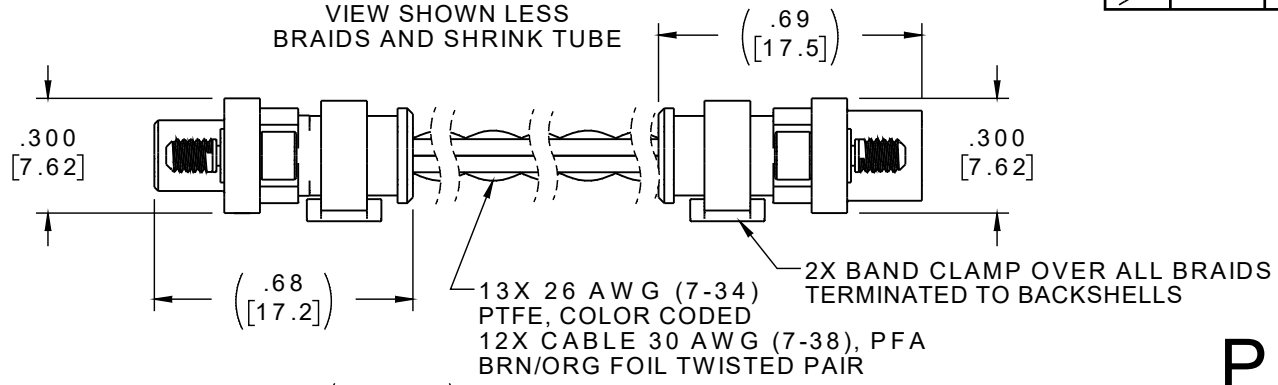
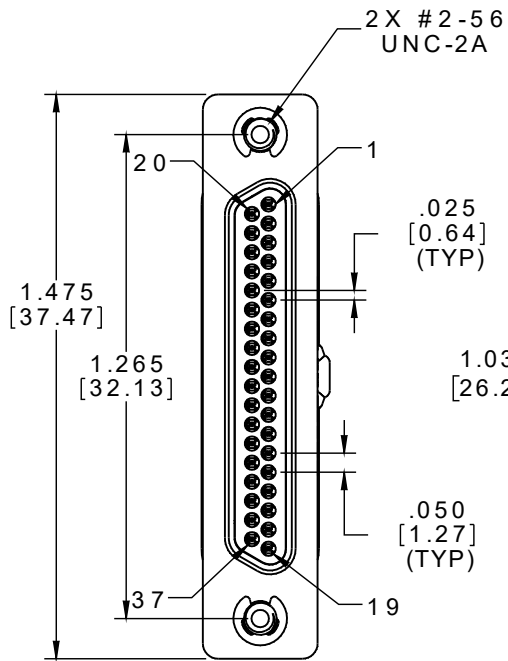


PART NO.	A 110907-001	REV	ECO	DATE	APP
		A		12-03-20	

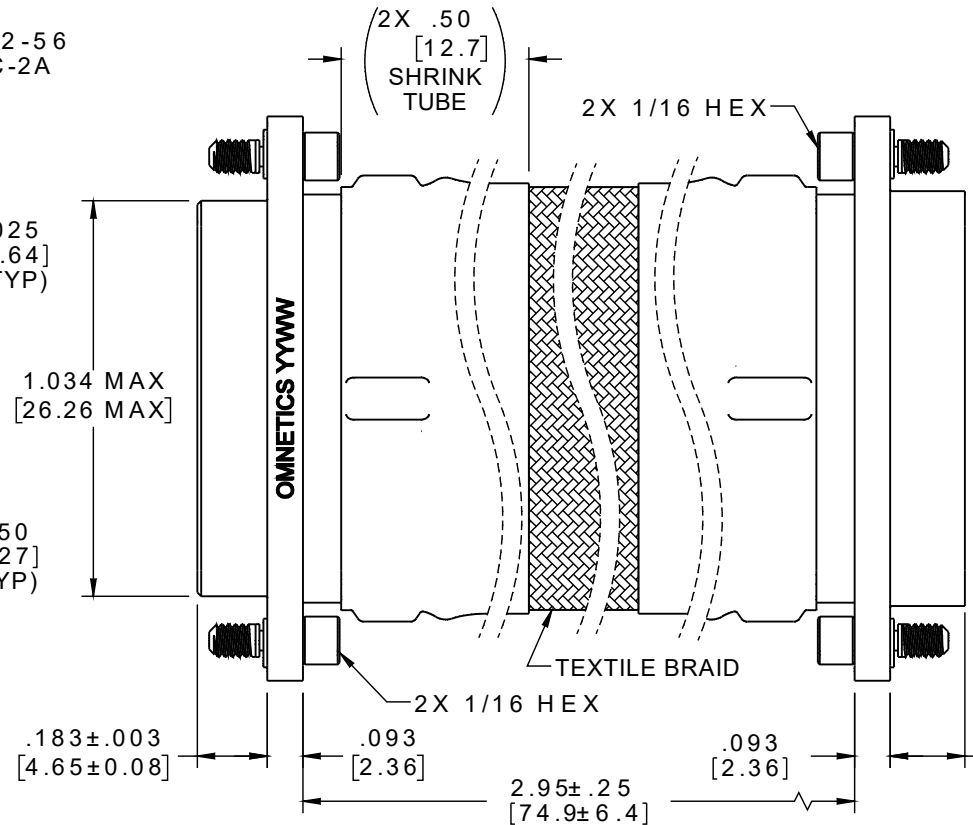
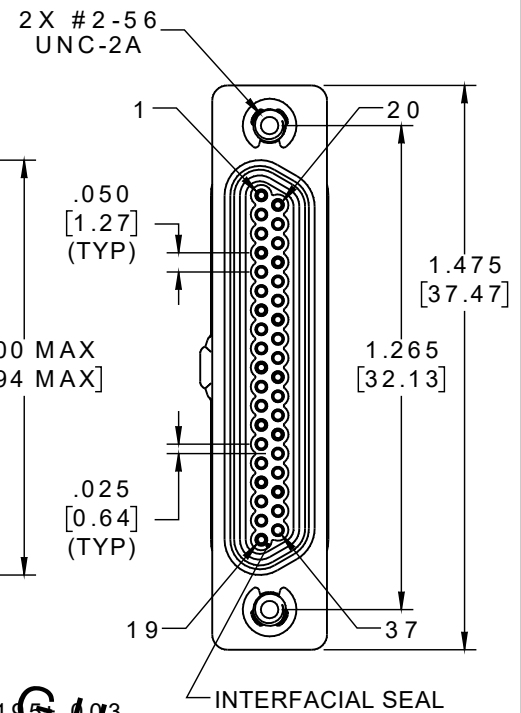
VIEW SHOWN LESS
BRAIDS AND SHRINK TUBE



P 1



P 2



NOTES:

WIRE CONNECTOR 1 TO 1, 2 TO 2, 3 TO 3 ETC.

DIMENSIONS IN [] ARE IN MILLIMETERS UNLESS OTHERWISE NOTED AND ARE FOR REFERENCE ONLY

MWDW/SIDW	THIRD ANGLE
	TOLERANCES - UNLESS OTHERWISE NOTED
	DIMENSIONS IN INCHES
	2 PL DEC ± .01
	3 PL DEC ± .005
4 PL DEC ± .0005	
ANGLES ± 1°	

THIS DRAWING CONTAINS CONFIDENTIAL AND PROPRIETARY INFORMATION WHICH IS THE PROPERTY OF OMNETICS CONNECTOR CORP. THIS DOCUMENT MAY NOT, IN WHOLE OR IN PART, BE DUPLICATED, OR DISCLOSED FOR ANY PURPOSE, WITHOUT WRITTEN PERMISSION FROM OMNETICS CONNECTOR CORP.	
DFTM. EDG	DATE 11-30-17
CHK'D.	DATE
APP'D.	DATE
TITLE: (37) LINE MALE/FEMALE MICRO-D JUMPER W/ BACKSHELL	

OMNETICS
CONNECTOR CORPORATION
7260 COMMERCE CIRCLE EAST
MINNEAPOLIS, MN 55432
WWW.OMNETICS.COM

CAGE CODE 61873	
DWG NO. A 110907-001	
SHEET 1 OF 3	REV A
SCALE: 2:1	

PART NO.	A110907-001	REV	ECO	DATE	APP
		A		12-03-20	

PIN #	COLOR	GROUPING
1	BLACK	
2	BROWN	
3	ORANGE	
SHELL	DRAIN	
4	BROWN	
5	BROWN	
6	ORANGE	
SHELL	DRAIN	
7	RED	
8	BROWN	
9	ORANGE	
SHELL	DRAIN	
10	ORANGE	
11	BROWN	
12	ORANGE	
SHELL	DRAIN	
13	YELLOW	
14	BROWN	
15	ORANGE	
SHELL	DRAIN	
16	GREEN	
17	BROWN	
18	ORANGE	
SHELL	DRAIN	

PIN #	COLOR	GROUPING
19	BLUE	
20	VIOLET	
21	BROWN	
22	ORANGE	
SHELL	DRAIN	
23	GRAY	
24	BROWN	
25	ORANGE	
SHELL	DRAIN	
26	BLACK	
27	BROWN	
28	ORANGE	
SHELL	DRAIN	
29	BROWN	
30	BROWN	
31	ORANGE	
SHELL	DRAIN	
32	RED	
33	BROWN	
34	ORANGE	
SHELL	DRAIN	
35	ORANGE	
36	BROWN	
37	ORANGE	
SHELL	DRAIN	

Drawing Approval _____

Date _____

DRAWING UNDER EDITING

REF: TUBITAK SPACE

NOTE:

CLAMP DRAIN OF FOIL TWISTED PAIR UNDER OVER-ALL BRAID WITH BAND CLAMP ON BOTH ENDS

MWDW / SLDW	THIRD ANGLE
	-TOLERANCES- UNLESS OTHERWISE NOTED
	DIMENSIONS IN INCHES
	2 PL DEC ± .01 3 PL DEC ± .005 4 PL DEC ± .0005 ANGLES ± 1°

THIS DRAWING CONTAINS CONFIDENTIAL AND PROPRIETARY INFORMATION WHICH IS THE PROPERTY OF OMNETICS CONNECTOR CORP. THIS DOCUMENT MAY NOT, IN WHOLE OR IN PART, BE DUPLICATED, OR DISCLOSED FOR ANY PURPOSE, WITHOUT WRITTEN PERMISSION FROM OMNETICS CONNECTOR CORP.	
DFTM. EDG	DATE 11-30-17
CHK'D.	DATE
APP'D.	DATE
TITLE: (37) LINE MALE/FEMALE MICRO-D JUMPER W/ BACKSHELL	

OMNETICS
CONNECTOR CORPORATION
7260 COMMERCE CIRCLE EAST
MINNEAPOLIS, MN 55432
WWW.OMNETICS.COM

CAGE CODE 61873
DWG NO. A110907-001
SHEET 2 OF 3
SCALE: 3:1
REV A