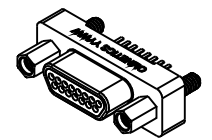
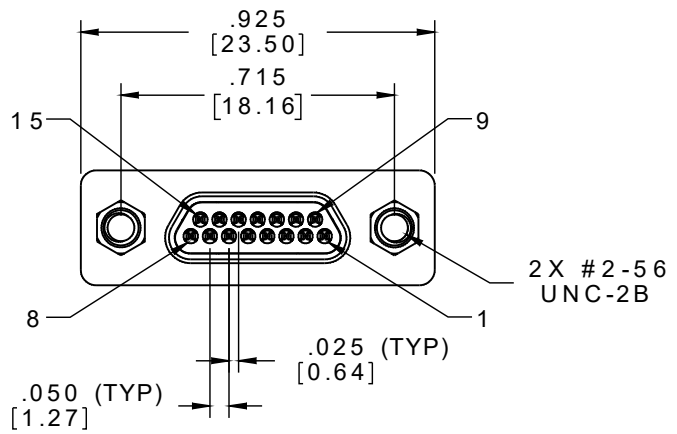
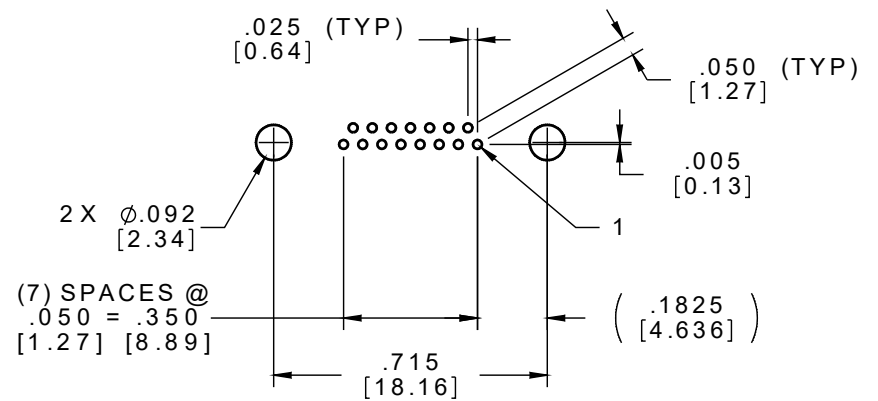
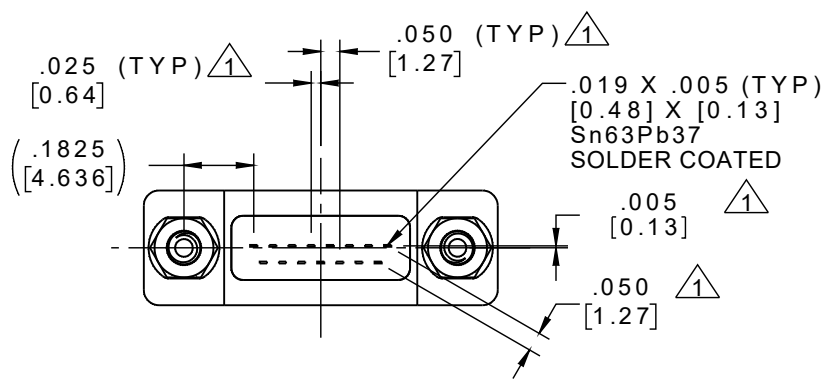
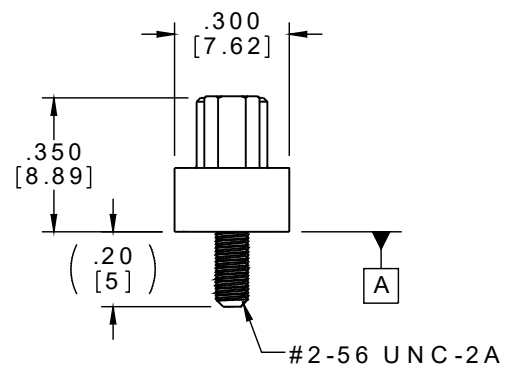
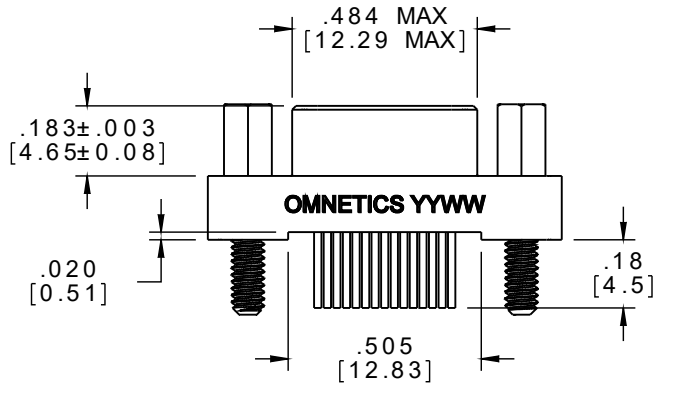


PART NO.	A110940-001	REV	ECO	DATE	APP
		A	104215	02-07-18	TLM



ACTUAL SIZE



SUGGESTED HOLE PATTERN

NOTE:
 ▲ TAIL DIMENSIONS APPLY AT PLANE A

USE HIGH TEMP EPOXY
 DIMENSIONS IN [] ARE IN MILLIMETERS UNLESS OTHERWISE NOTED AND ARE FOR REFERENCE ONLY

MNDP SLDW	THIRD ANGLE	THIS DRAWING CONTAINS CONFIDENTIAL AND PROPRIETARY INFORMATION WHICH IS THE PROPERTY OF OMNETICS CONNECTOR CORP. THIS DOCUMENT MAY NOT, IN WHOLE OR IN PART, BE DUPLICATED, OR DISCLOSED FOR ANY PURPOSE, WITHOUT WRITTEN PERMISSION FROM OMNETICS CONNECTOR CORP.		OMNETICS CONNECTOR CORPORATION 7260 COMMERCE CIRCLE EAST MINNEAPOLIS, MN 55432 WWW.OMNETICS.COM	CAGE CODE 61873	
	-TOLERANCES- UNLESS OTHERWISE NOTED DIMENSIONS IN INCHES	DFTM. EDG	DATE 12-11-17		TITLE: (15) PIN MALE STRAIGHT BOARD MOUNT MICRO-D CONNECTOR	DWG NO. A110940-001
	2 PL DEC ± .01	CHK'D.	DATE		SHEET 1 OF 1	
	3 PL DEC ± .005	APP'D.	DATE		REV A	SCALE: 2:1