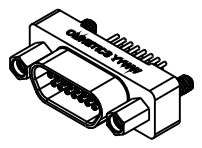
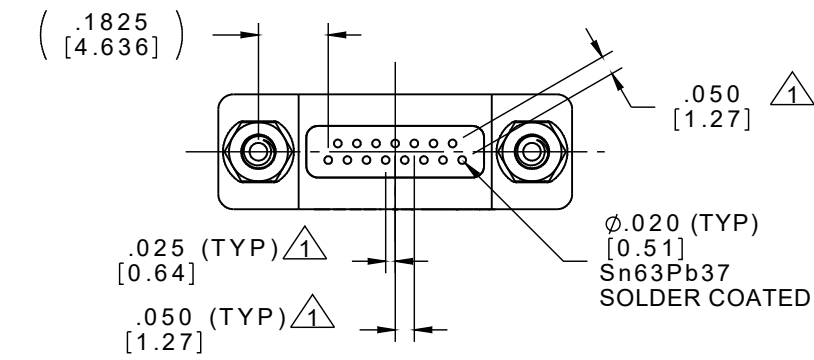
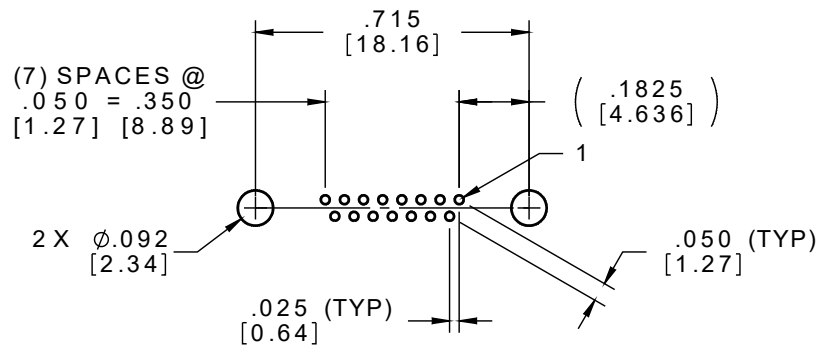
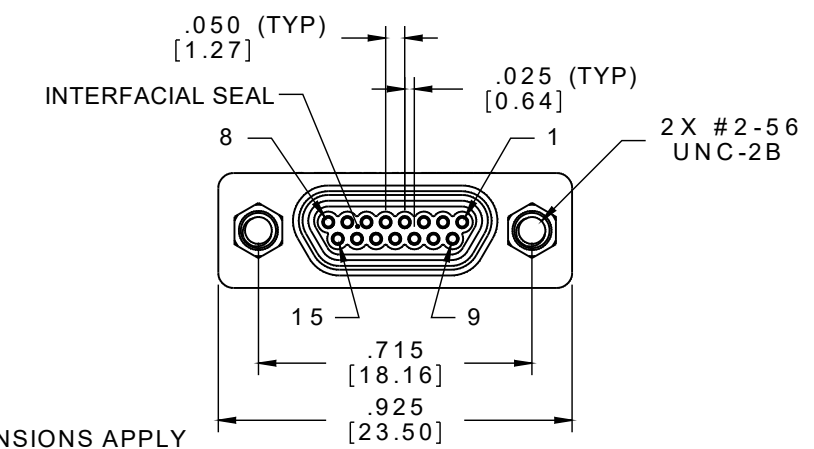
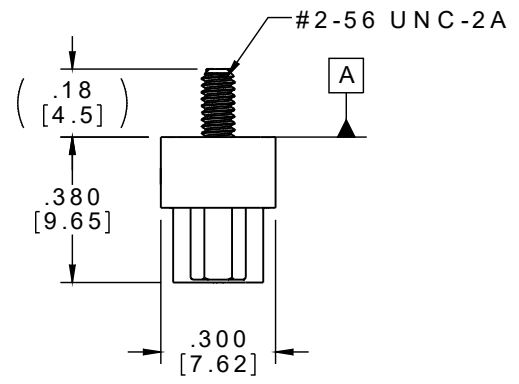
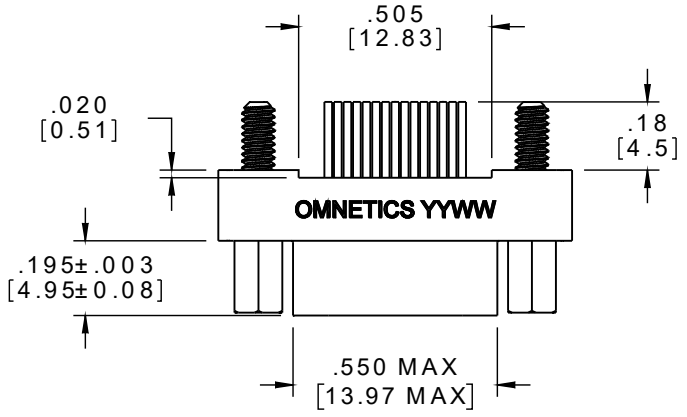


PART NO.	A110941-001	REV	ECO	DATE	APP
		A	104215	02-07-18	TLM



ACTUAL SIZE



SUGGESTED HOLE PATTERN

NOTES:
 1 TAIL DIMENSIONS APPLY AT PLANE A

USE HIGH TEMP EPOXY
 DIMENSIONS IN [] ARE IN MILLIMETERS UNLESS OTHERWISE NOTED AND ARE FOR REFERENCE ONLY

MINDS /S/DW/	THIRD ANGLE
	TOLERANCES - UNLESS OTHERWISE NOTED
	DIMENSIONS IN INCHES
	2 PL DEC ± .01 3 PL DEC ± .005 4 PL DEC ± .0005 ANGLES ± 1°

THIS DRAWING CONTAINS CONFIDENTIAL AND PROPRIETARY INFORMATION WHICH IS THE PROPERTY OF OMNETICS CONNECTOR CORP. THIS DOCUMENT MAY NOT, IN WHOLE OR IN PART, BE DUPLICATED, OR DISCLOSED FOR ANY PURPOSE, WITHOUT WRITTEN PERMISSION FROM OMNETICS CONNECTOR CORP.	
DFTM. EDG	DATE 12-11-17
CHK'D.	DATE
APP'D.	DATE
TITLE: (15) SOCKET FEMALE STRAIGHT BOARD MOUNT MICRO-D CONNECTOR	

OMNETICS
 CONNECTOR CORPORATION
 7260 COMMERCE CIRCLE EAST
 MINNEAPOLIS, MN 55432
 WWW.OMNETICS.COM

CAGE CODE 61873	
DWG NO. A110941-001	
SHEET 1 OF 1	REV A
SCALE: 2:1	