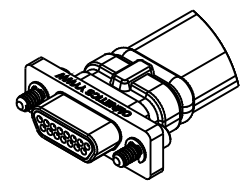
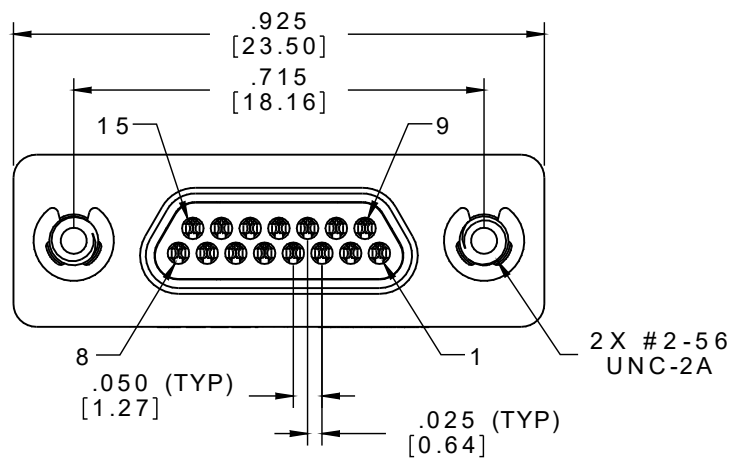
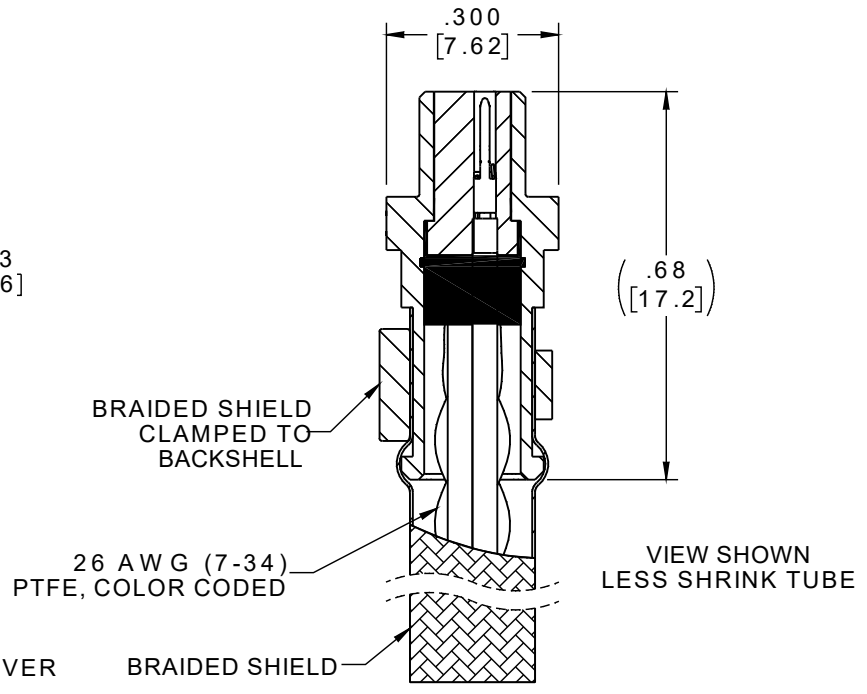
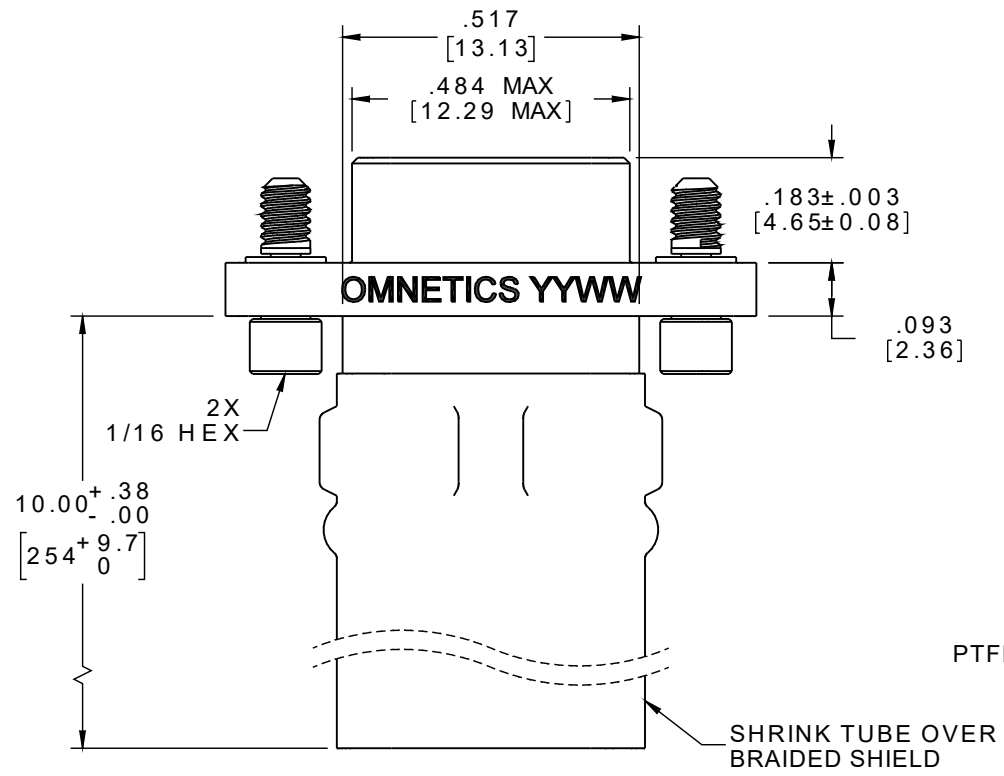


PART NO.	A111311-001	REV	ECO	DATE	APP
		A	105031	11-21-18	TLM



ACTUAL SIZE EXCLUDING WIRE & BRAID LENGTH



NOTE:
DIMENSIONS IN [] ARE IN MILLIMETERS UNLESS OTHERWISE NOTED AND ARE FOR REFERENCE ONLY



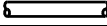


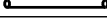



MMDP SLDW	THIRD ANGLE
	-TOLERANCES-
	UNLESS OTHERWISE NOTED
	DIMENSIONS IN INCHES
	2 PL DEC ± .01
	3 PL DEC ± .005
	4 PL DEC ± .0005
	ANGLES ± 1°

THIS DRAWING CONTAINS CONFIDENTIAL AND PROPRIETARY INFORMATION WHICH IS THE PROPERTY OF OMNETICS CONNECTOR CORP. THIS DOCUMENT MAY NOT, IN WHOLE OR IN PART, BE DUPLICATED, OR DISCLOSED FOR ANY PURPOSE, WITHOUT WRITTEN PERMISSION FROM OMNETICS CONNECTOR CORP.	
DFTM. EDG	DATE 03-14-18
CHK'D.	DATE
APP'D.	DATE
TITLE: (15) PIN MALE MICRO-D CONNECTOR W/ JACKSCREWS	


OMNETICS
CONNECTOR CORPORATION
7260 COMMERCE CIRCLE EAST
MINNEAPOLIS, MN 55432
WWW.OMNETICS.COM

CAGE CODE 61873	
DWG NO. A111311-001	
SHEET 1 OF 3	REV A
SCALE: 3:1	

PART NO.	A111311-001	REV	ECO	DATE	APP
		A	105031	11-21-18	TLM

PIN #	COLOR	NOTES
1	BLACK	
4	ORANGE	
2	BROWN	
5	YELLOW	
3	RED	
6	GREEN	
9	GRAY	
7	BLUE	
10	WHITE	
8	VIOLET	
11	BLACK	
14	ORANGE	
12	BROWN	
15	YELLOW	
13	RED	

REF: TUBITAK SPACE

MMDP SLDW	THIRD ANGLE 	THIS DRAWING CONTAINS CONFIDENTIAL AND PROPRIETARY INFORMATION WHICH IS THE PROPERTY OF OMNETICS CONNECTOR CORP. THIS DOCUMENT MAY NOT, IN WHOLE OR IN PART, BE DUPLICATED, OR DISCLOSED FOR ANY PURPOSE, WITHOUT WRITTEN PERMISSION FROM OMNETICS CONNECTOR CORP.		OMNETICS	CAGE CODE 61873		
	-TOLERANCES- UNLESS OTHERWISE NOTED	DFTM. EDG	DATE 03-14-18		TITLE: (15) PIN MALE MICRO-D CONNECTOR W/ JACKSCREWS	CONNECTOR CORPORATION	DWG NO. A111311-001
	DIMENSIONS IN INCHES	CHK'D.	DATE		7260 COMMERCE CIRCLE EAST MINNEAPOLIS, MN 55432 WWW.OMNETICS.COM	SHEET 2 OF 3	REV A
	2 PL DEC ± .01 3 PL DEC ± .005 4 PL DEC ± .0005 ANGLES ± 1°	APP'D.	DATE			SCALE: 3:1	