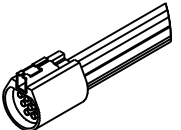
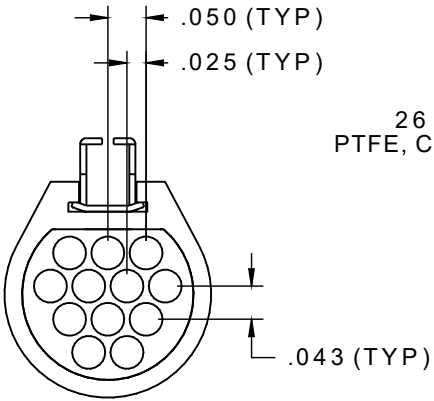


PART NO.	A 19753-001	REV	ECO	DATE	APP
		A	96789	06-10-10	TLM

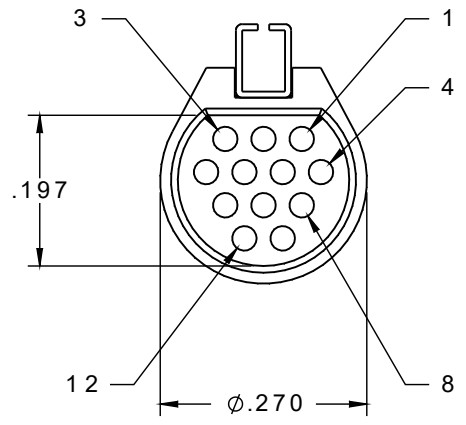
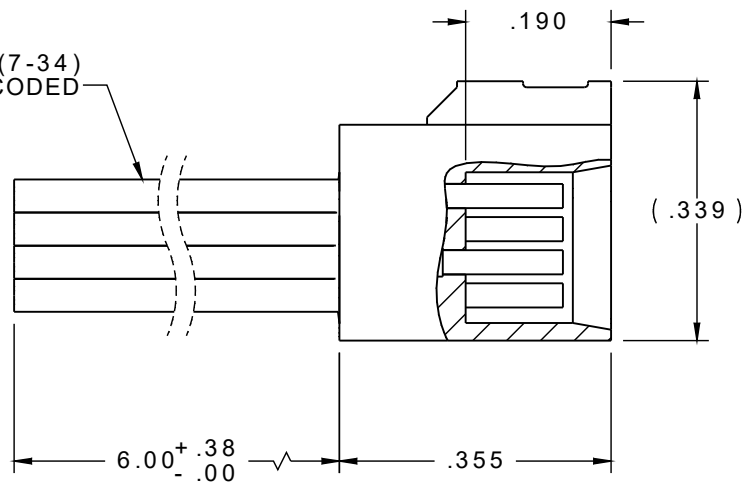


ACTUAL SIZE



LOADING VIEW
LESS EPOXY

26 AWG (7-34)
PTFE, COLOR CODED



SOCKET #	COLOR
1, 11	BLACK
2, 12	BROWN
3	RED
4	ORANGE
5	YELLOW
6	GREEN
7	BLUE
8	VIOLET
9	GRAY
10	WHITE

MCS SLDW	THIRD ANGLE	THIS DRAWING CONTAINS CONFIDENTIAL AND PROPRIETARY INFORMATION WHICH IS THE PROPERTY OF OMNETICS CONNECTOR CORP. THIS DOCUMENT MAY NOT, IN WHOLE OR IN PART, BE DUPLICATED, OR DISCLOSED FOR ANY PURPOSE, WITHOUT WRITTEN PERMISSION FROM OMNETICS CONNECTOR CORP.		 7260 COMMERCE CIRCLE EAST MINNEAPOLIS, MN 55432 WWW.OMNETICS.COM	CAGE CODE 61873		
	-TOLERANCES- UNLESS OTHERWISE NOTED DIMENSIONS IN INCHES	DFTM. TLM	DATE 06-02-10		TITLE:	DWG NO. A19753-001	
	2 PL DEC ± .01	CHK'D.	DATE		(12) SOCKET FEMALE MICRO CIRCULAR CONNECTOR W/ LATCH	SHEET 1 OF 1	
	3 PL DEC ± .005	APP'D.	DATE			REV	A
4 PL DEC ± .0005				SCALE: 4:1			
ANGLES ± 1°							