

PART NO.	A22002-001	REV	ECO	DATE	APP
		F	102546	05-02-16	TLM

**MATERIAL & SPECIFICATIONS**

**INSULATOR:**

LIQUID CRYSTAL POLYMER (LCP) PER ASTM D5138.

**CONTACT:**

BERYLLIUM COPPER PER ASTM B194, C17200. GOLD PLATED PER ASTM B488, (HARD GOLD) TYPE II CODE C CLASS 1.27.

**TERMINATION:**

26 AWG (7-34) TYPE E PER NEMA HP3, COLOR CODED PER TABLE.

**CURRENT CAPACITY:**

3 AMP MAX.

**CONTACT RESISTANCE:**

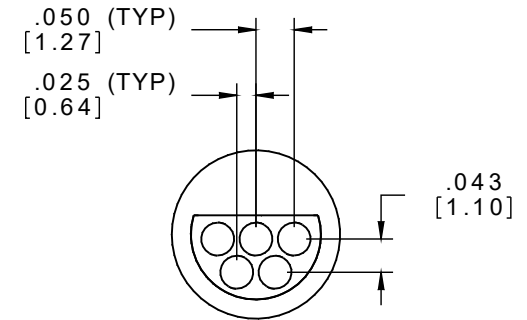
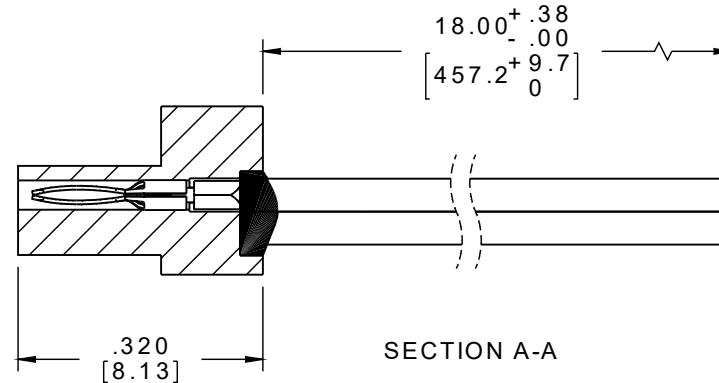
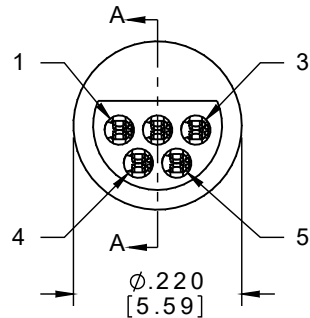
26 MILLIOHMS (65 mv) MAX @ 2.5 AMPS

**PERFORMANCE:**

PRODUCT FAMILY TESTED TO AND PASSED THE PERFORMANCE SPECIFICATIONS OF TABLE VII OF MIL-DTL-83513



ACTUAL SIZE  
EXCLUDING WIRE LENGTH



LOADING VIEW  
LESS EPOXY

P IN #	COLOR
1	BLACK
2	BROWN
3	RED
4	ORANGE
5	YELLOW

**RoHS**

**NOTE:**

DIMENSIONS IN [ ] ARE IN MILLIMETERS UNLESS OTHERWISE NOTED AND ARE FOR REFERENCE ONLY

MCP   SLDW	THIRD ANGLE	THIS DRAWING CONTAINS CONFIDENTIAL AND PROPRIETARY INFORMATION WHICH IS THE PROPERTY OF OMNETICS CONNECTOR CORP. THIS DOCUMENT MAY NOT, IN WHOLE OR IN PART, BE DUPLICATED, OR DISCLOSED FOR ANY PURPOSE, WITHOUT WRITTEN PERMISSION FROM OMNETICS CONNECTOR CORP.		<b>OMNETICS</b>	CAGE CODE 61873	
	-TOLERANCES-	DFTM. PER	DATE 02-28-01		TITLE: (5) PIN MALE CIRCULAR CONNECTOR	DWG NO. A22002-001
	UNLESS OTHERWISE NOTED	CHK'D.	DATE	CONNECTOR CORPORATION	SHEET 1 OF 1	REV F
	DIMENSIONS IN INCHES	APP'D.	DATE	7260 COMMERCE CIRCLE EAST MINNEAPOLIS, MN 55432 WWW.OMNETICS.COM	SCALE: 4:1	