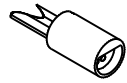


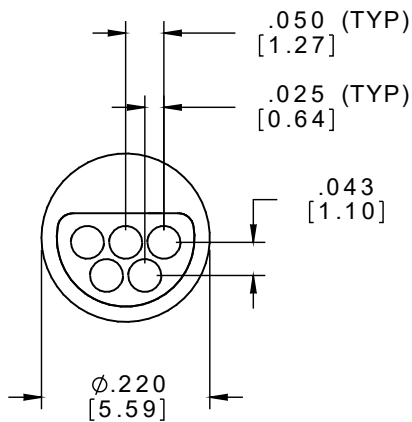
PART NO.	A22003-001	REV	ECO	DATE	APP
		F	99229	01-29-13	TLM

**MATERIAL & SPECIFICATIONS**

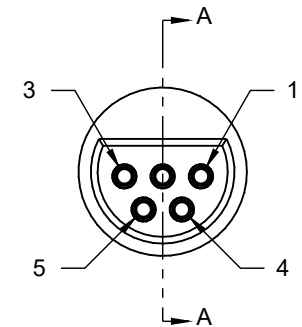
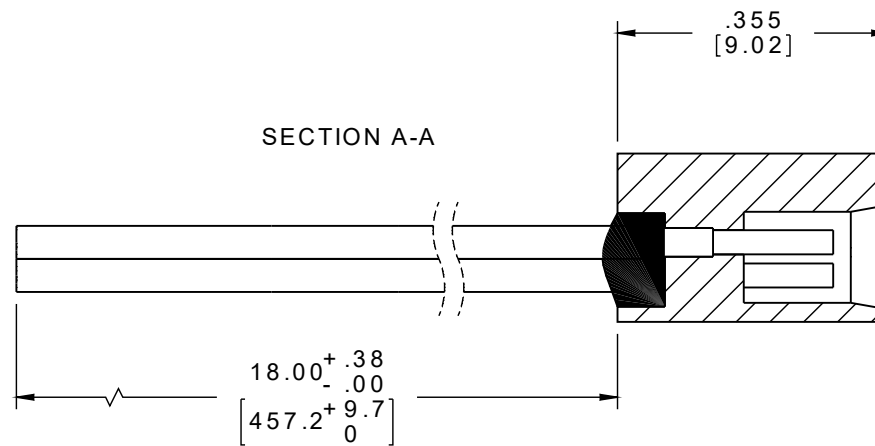
INSULATOR: LIQUID CRYSTAL POLYMER (LCP) PER ASTM D5138.  
 CONTACT: COPPER ALLOY PER MIL-DTL-83513. GOLD PLATED PER ASTM B488, (HARD GOLD) TYPE II CODE C CLASS 1.27.  
 TERMINATION: 26 AWG (7-34) TYPE E PER NEMA HP3, COLOR CODED PER TABLE.  
 CURRENT CAPACITY 3 AMP MAX.  
 CONTACT RESISTANCE 26 MILLIOHMS (65 mv) MAX @ 2.5 AMPS  
 PERFORMANCE : PRODUCT FAMILY TESTED TO AND PASSED THE PERFORMANCE SPECIFICATIONS OF TABLE VII OF MIL-DTL-83513



ACTUAL SIZE EXCLUDING WIRE LENGTH



LOADING VIEW  
LESS EPOXY



SOCKET #	COLOR
1	BLACK
2	BROWN
3	RED
4	ORANGE
5	YELLOW

**NOTE:**

DIMENSIONS IN [ ] ARE IN MILLIMETERS UNLESS OTHERWISE NOTED AND ARE FOR REFERENCE ONLY

MCS /SLDW	THIRD ANGLE
	-TOLERANCES-
	UNLESS OTHERWISE NOTED
	DIMENSIONS IN INCHES
	2 PL DEC ± .01
	3 PL DEC ± .005
	4 PL DEC ± .0005
	ANGLES ± 1°

THIS DRAWING CONTAINS CONFIDENTIAL AND PROPRIETARY INFORMATION WHICH IS THE PROPERTY OF OMNETICS CONNECTOR CORP. THIS DOCUMENT MAY NOT, IN WHOLE OR IN PART, BE DUPLICATED, OR DISCLOSED FOR ANY PURPOSE, WITHOUT WRITTEN PERMISSION FROM OMNETICS CONNECTOR CORP.	
DFTM. PER	DATE 02-28-01
CHK'D.	DATE
APP'D.	DATE
TITLE: (5) SOCKET FEMALE CIRCULAR CONNECTOR	

**OMNETICS**  
CONNECTOR CORPORATION  
7260 COMMERCE CIRCLE EAST  
MINNEAPOLIS, MN 55432  
WWW.OMNETICS.COM

CAGE CODE 61873	
DWG NO. A22003-001	
SHEET 1 OF 1	REV F
SCALE: 4:1	