

# MATERIALS & SPECIFICATIONS

PART NO.	A28000-037	REV	ECO	DATE	APP
		G	101526	04-24-15	TLM

**HOUSING:**  
ALUMINUM 6061-T6, NICKEL PLATE  
PER SAE-AMS-2404

**INSULATOR:**  
LIQUID CRYSTAL POLYMER (LCP) PER  
ASTM D5138

**CONTACT:**  
BERYLLIUM COPPER PER ASTM B194,  
C17200, GOLD PLATED PER ASTM  
B488, (HARD GOLD) TYPE II CODE C,  
CLASS 1.27

**WIRE:**  
NEMA HP3 TYPE ET, COLOR CODED  
IAW MIL-STD-681, SYSTEM 1, USING  
TEN SOLID REPEATING COLORS

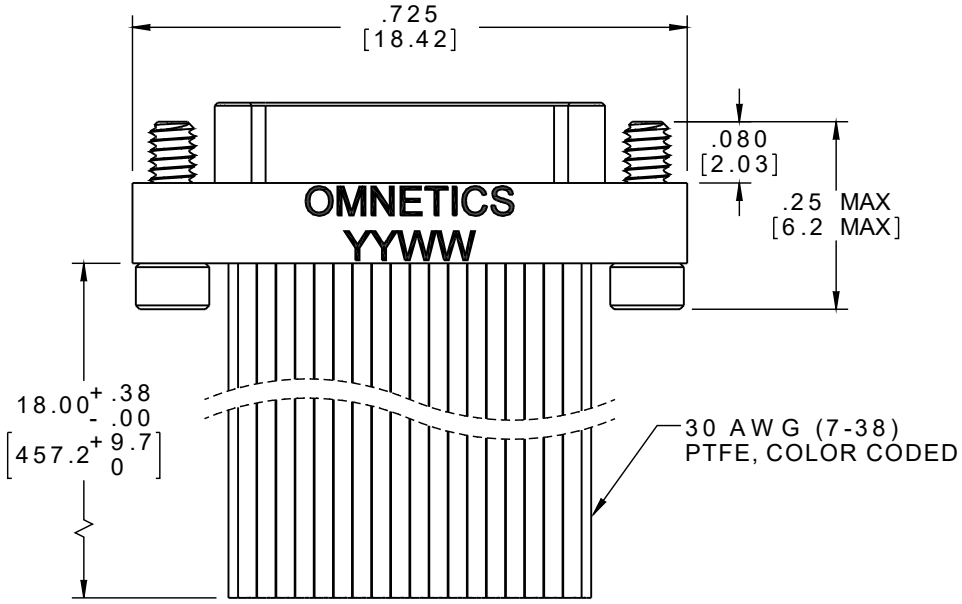
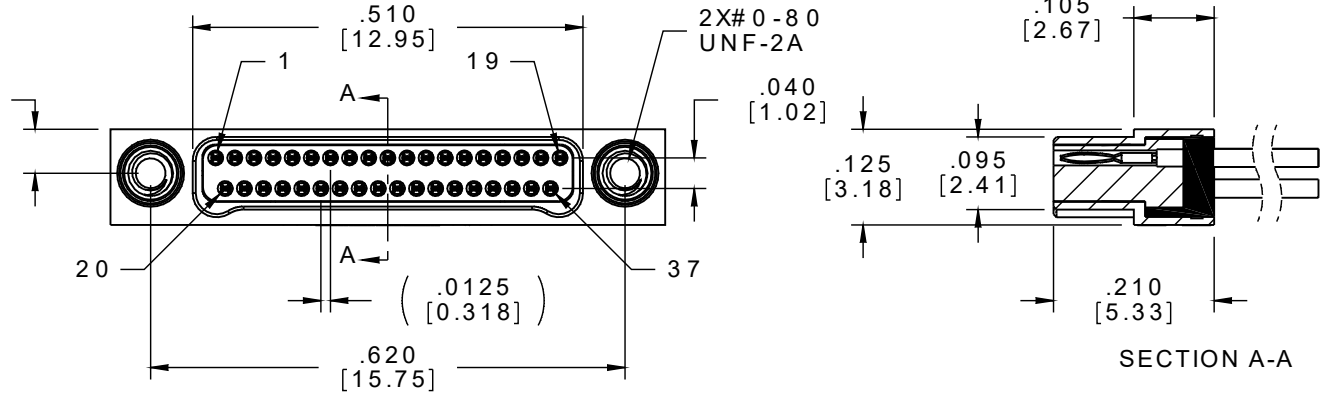
**HARDWARE:**  
303 STAINLESS STEEL PER ASTM 582

**CURRENT RATING:**  
1 AMP MAX PER MIL-DTL-32139

**CONTACT RESISTANCE:**  
71 MILLIOHM MAX (71mV DROP MAX)  
@ 1.0 AMPS PER MIL-DTL-32139

**PERFORMANCE:**  
PRODUCT FAMILY TESTED TO AND  
PASSED THE PERFORMANCE  
SPECIFICATIONS OF TABLE VIII OF  
MIL-DTL-32139

PIN #	COLOR
1, 11, 21, 31	BLACK
2, 12, 22, 32	BROWN
3, 13, 23, 33	RED
4, 14, 24, 34	ORANGE
5, 15, 25, 35	YELLOW
6, 16, 26, 36	GREEN
7, 17, 27, 37	BLUE
8, 18, 28	VIOLET
9, 19, 29	GRAY
10, 20, 30	WHITE



ACTUAL SIZE  
EXCLUDING WIRE LENGTH

MNP/SLDW	THIRD ANGLE	THIS DRAWING CONTAINS CONFIDENTIAL AND PROPRIETARY INFORMATION WHICH IS THE PROPERTY OF OMNETICS CONNECTOR CORPORATION. THIS DOCUMENT MAY NOT, IN WHOLE OR IN PART, BE DUPLICATED, OR DISCLOSED FOR ANY PURPOSE, WITHOUT WRITTEN PERMISSION FROM OMNETICS CONNECTOR CORP.		CAGE CODE 61873	
	-TOLERANCES-	UNLESS OTHERWISE NOTED			DWG NO. A28000-037
	DIMENSIONS IN INCHES		DFTM. AAS DATE 05-05-04	TITLE: (37) PIN MALE	SHEET 1 OF 2 REV G
	2 PL DEC ± .01 3 PL DEC ± .005 4 PL DEC ± .0005 ANGLES ± 1°		CHK'D.	Bi-Lobe® CONNECTOR	

**OMNETICS**  
CONNECTOR CORPORATION

7260 COMMERCE CIRCLE EAST  
MINNEAPOLIS, MN 55432  
WWW.OMNETICS.COM