

# MATERIALS & SPECIFICATIONS

PART NO.	A 28100-025	REV	ECO	DATE	01-30-10	APP	TLM
			G	96463			

## HOUSING:

ALUMINUM 6061-T6, NICKEL PLATE PER AMS-C-26074

## INSULATOR:

LIQUID CRYSTAL POLYMER (LCP) PER ASTM D5138

## CONTACT:

BERYLLIUM COPPER PER ASTM B194, C17200, GOLD PLATED PER ASTM B488, (HARD GOLD) TYPE II CODE C, CLASS 1.27

## TERMINATION:

SOLDER COATED WITH SN63A PER J-STD-006 OR AMS-P-81728

## CURRENT RATING:

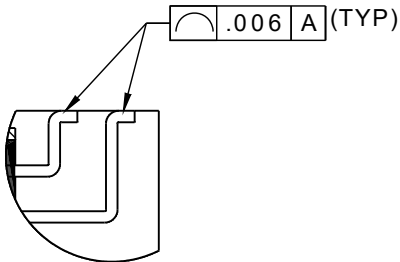
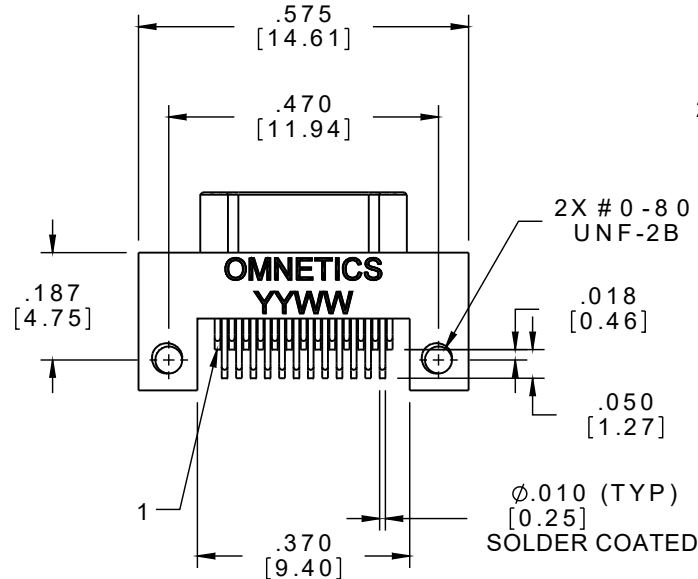
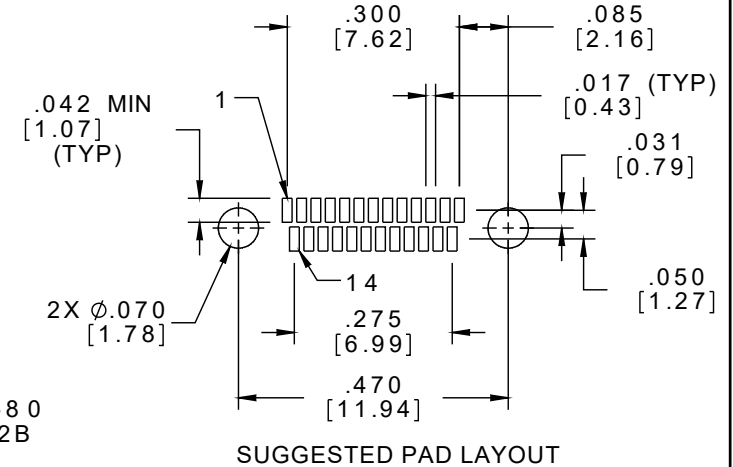
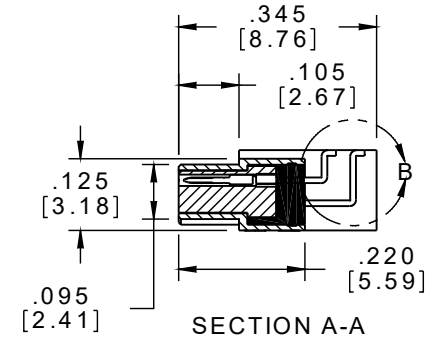
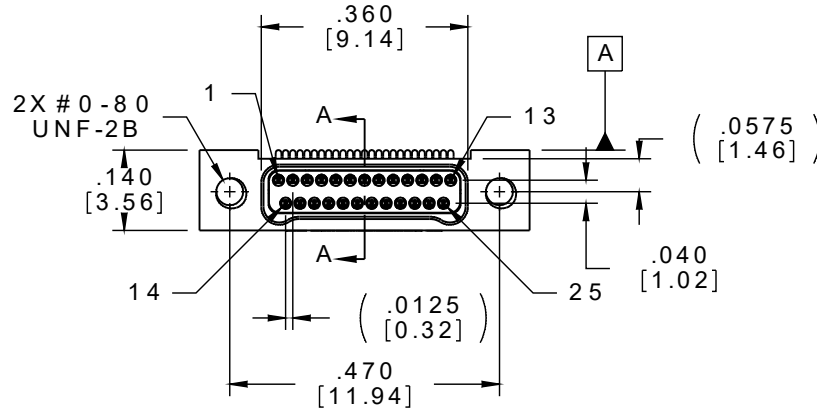
1 AMP MAX PER MIL-DTL-32139

## CONTACT RESISTANCE:

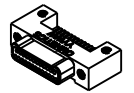
71 MILLIOHM MAX (71mV DROP MAX) @ 1.0 AMPS PER MIL-DTL-32139

## PERFORMANCE:

PRODUCT FAMILY TESTED TO AND PASSED THE PERFORMANCE SPECIFICATIONS OF TABLE VIII OF MIL-DTL-32139



DETAIL B  
SCALE 6 : 1



ACTUAL SIZE

MNP O SLDW	THIRD ANGLE	THIS DRAWING CONTAINS CONFIDENTIAL AND PROPRIETARY INFORMATION WHICH IS THE PROPERTY OF OMNETICS CONNECTOR CORP. THIS DOCUMENT MAY NOT, IN WHOLE OR IN PART, BE DUPLICATED, OR DISCLOSED FOR ANY PURPOSE, WITHOUT WRITTEN PERMISSION FROM OMNETICS CONNECTOR CORP.			 7260 COMMERCE CIRCLE EAST MINNEAPOLIS, MN 55432 WWW.OMNETICS.COM	CAGE CODE 61873	
	-TOLERANCES-	DFTM. AAS	DATE	TITLE:		DWG NO.	
	UNLESS OTHERWISE NOTED		05-05-04	(25) PIN MALE		A 28100-025	
	DIMENSIONS IN INCHES	CHK'D.		Bi-Lobe® CONNECTOR		SHEET 1 OF 1	REV
2 PL DEC ± .01	APP'D.			SCALE: 3:1	G		
3 PL DEC ± .005							
4 PL DEC ± .0005							
ANGLES ± 1°							