

PART NO.	A29000-021	REV	ECO	DATE	APP
		G	96257	10-19-09	TLM

### MATERIALS & SPECIFICATIONS

**HOUSING:**

ALUMINUM 60601-T6, NICKEL PLATE PER AMS-C-26074.

**INSULATOR:**

LIQUID CRYSTAL POLYMER (LCP) PER ASTM D5138

**CONTACT:**

COPPER ALLOY PER MIL-DTL-32139, GOLD PLATED PER ASTM B488, (HARD GOLD) TYPE II CODE C CLASS 1.27

**WIRE:**

NEMA HP3 TYPE ET, COLOR CODED IAW MIL-STD-681, SYSTEM 1, USING TEN SOLID REPEATING COLORS

**CURRENT RATING:**

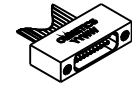
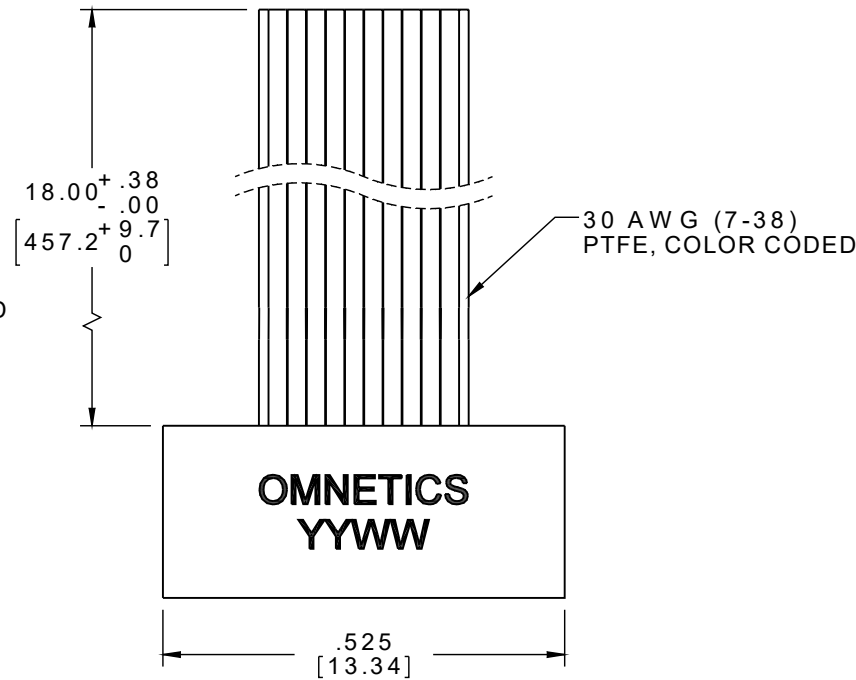
1 AMP MAX PER MIL-DTL-32139

**CONTACT RESISTANCE:**

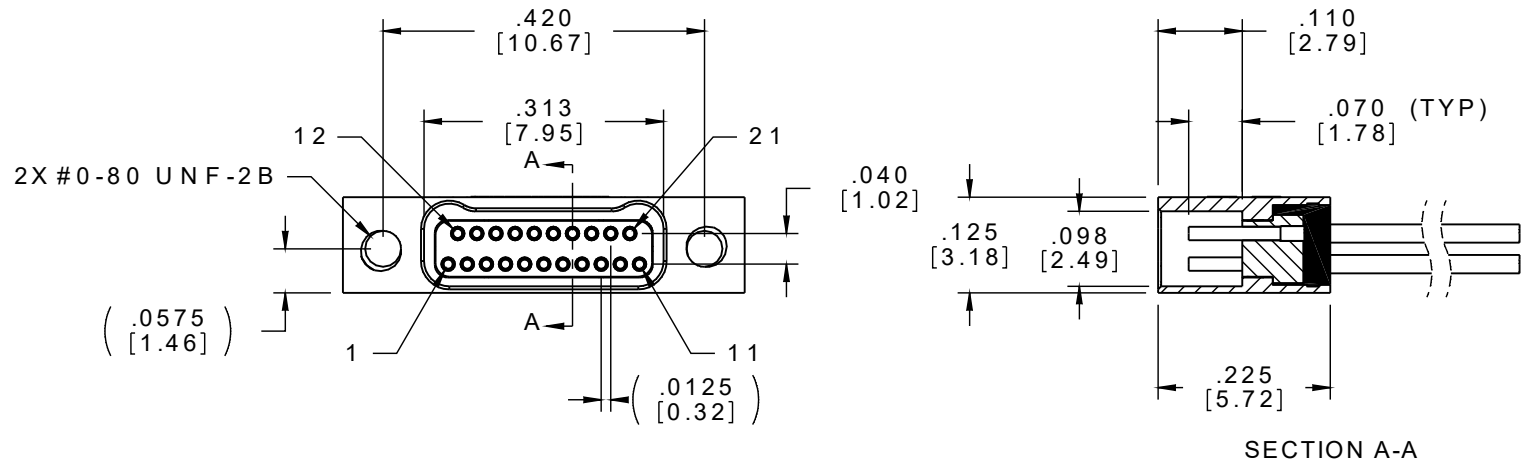
71 MILLIOHM MAX (71mV DROP MAX) @ 1.0 AMPS PER MIL-DTL-32139

**PERFORMANCE:**

PRODUCT FAMILY TESTED TO AND PASSED THE PERFORMANCE SPECIFICATIONS OF TABLE VIII OF MIL-DTL-32139.



ACTUAL SIZE EXCLUDING WIRE LENGTH



SOCKET #	COLOR
1, 11, 21	BLACK
2, 12	BROWN
3, 13	RED
4, 14	ORANGE
5, 15	YELLOW
6, 16	GREEN
7, 17	BLUE
8, 18	VIOLET
9, 19	GRAY
10, 20	WHITE

MNSO SLDW	THIRD ANGLE
	-TOLERANCES-
	UNLESS OTHERWISE NOTED
	DIMENSIONS IN INCHES
	2 PL DEC ± .01
	3 PL DEC ± .005
	4 PL DEC ± .0005
	ANGLES ± 1°

THIS DRAWING CONTAINS CONFIDENTIAL AND PROPRIETARY INFORMATION WHICH IS THE PROPERTY OF OMNETICS CONNECTOR CORP. THIS DOCUMENT MAY NOT, IN WHOLE OR IN PART, BE DUPLICATED, OR DISCLOSED FOR ANY PURPOSE, WITHOUT WRITTEN PERMISSION FROM OMNETICS CONNECTOR CORP.			
DFTM. AAS	DATE	TITLE:	
	05-07-04	(21) SOCKET FEMALE BI-LOBE CONNECTOR	
CHK'D.	DATE		
APP'D.	DATE		

**OMNETICS**  
CONNECTOR CORPORATION  
7260 COMMERCE CIRCLE EAST  
MINNEAPOLIS, MN 55432  
WWW.OMNETICS.COM

CAGE CODE 61873	
DWG NO. A29000-021	
SHEET 1 OF 2	REV G
SCALE: 4:1	