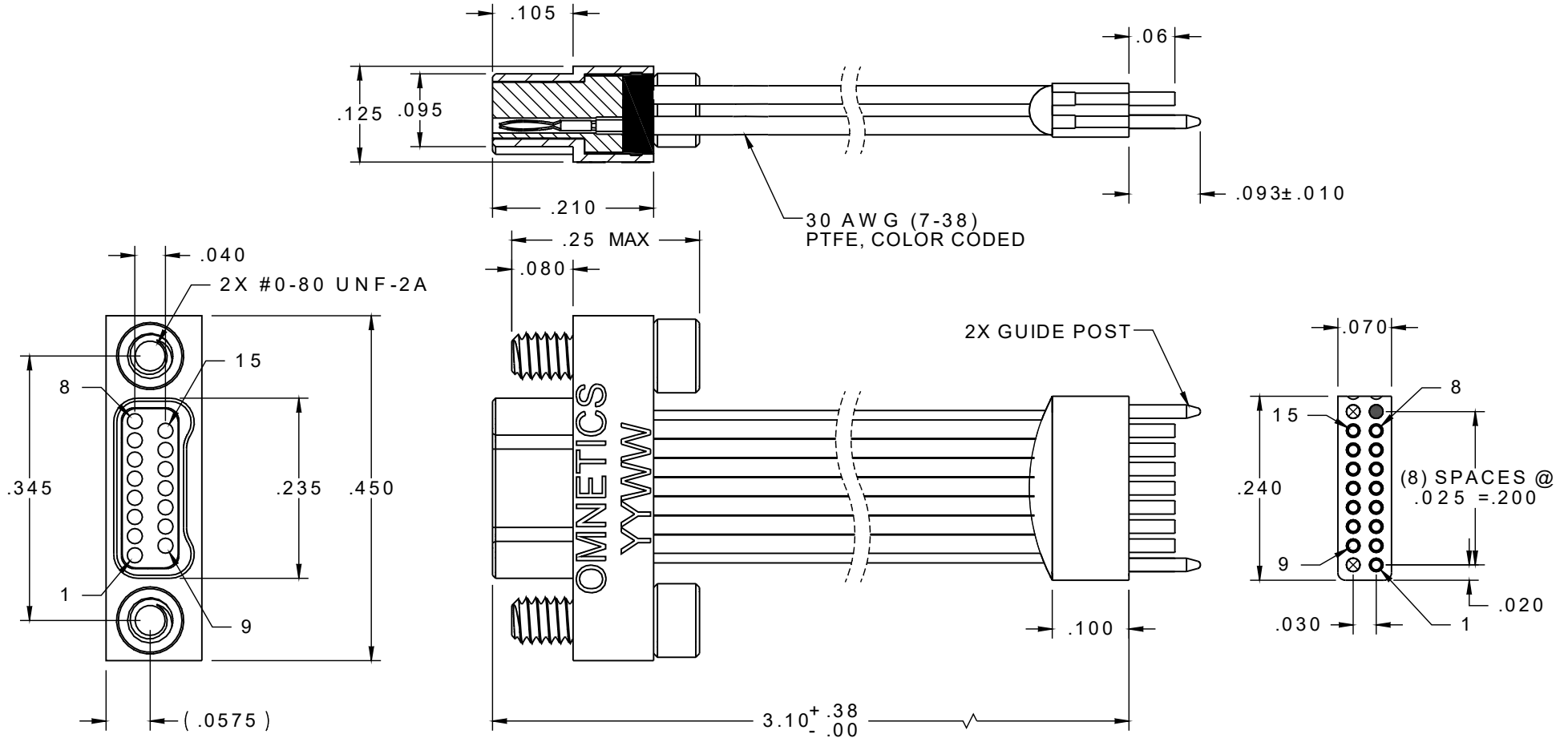


PART NO.	A 4 1 0 2 9 - 0 0 2	REV	ECO	DATE	APP
		A	96332	11-24-09	TLM



CONTACT #	COLOR
1, 11	BLACK
2, 12	BROWN
3, 13	RED
4, 14	ORANGE
5, 15	YELLOW
6	GREEN
7	BLUE
8	VIOLET
9	GRAY
10	WHITE

NOTE:

WIRE CONNECTORS: 1 TO 1, 2 TO 2, 3 TO 3, ETC.

JUM	THIRD ANGLE	THIS DRAWING CONTAINS CONFIDENTIAL AND PROPRIETARY INFORMATION WHICH IS THE PROPERTY OF OMNETICS CONNECTOR CORP. THIS DOCUMENT MAY NOT, IN WHOLE OR IN PART, BE DUPLICATED, OR DISCLOSED FOR ANY PURPOSE, WITHOUT WRITTEN PERMISSION FROM OMNETICS CONNECTOR CORP.		OMNETICS CONNECTOR CORPORATION 7260 COMMERCE CIRCLE EAST MINNEAPOLIS, MN 55432 WWW.OMNETICS.COM	CAGE CODE 61873 DWG NO. A 4 1 0 2 9 - 0 0 2
	-TOLERANCES- UNLESS OTHERWISE NOTED DIMENSIONS IN INCHES		DATE 09-18-09		
SLDW	2 PL DEC ± .01	DFTM. TLM	DATE	7260 COMMERCE CIRCLE EAST MINNEAPOLIS, MN 55432 WWW.OMNETICS.COM	SHEET 1 OF 2 SCALE: 5:1
	3 PL DEC ± .005	CHK'D.	DATE		
	4 PL DEC ± .0005	APP'D.	DATE		
	ANGLES ± 1°				