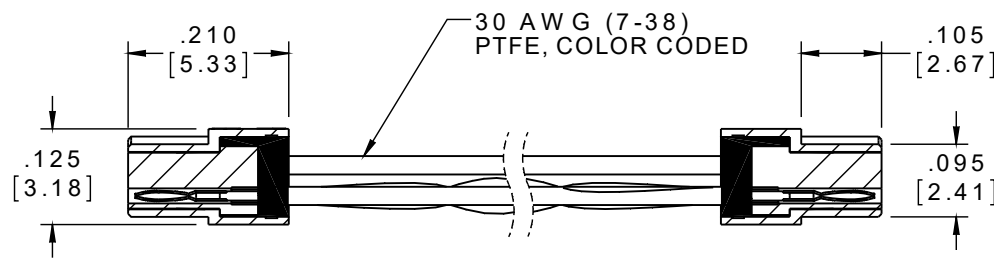
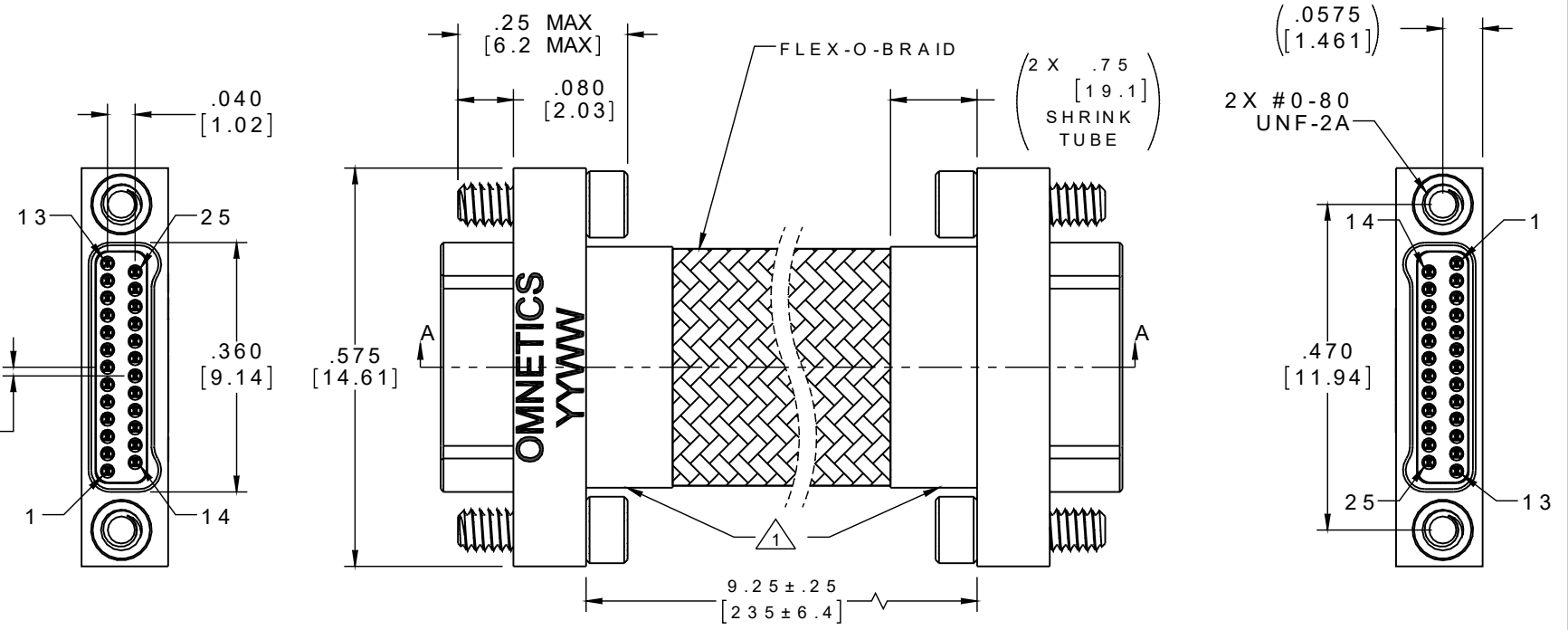


PIN #	COLOR
1	BLACK
2	BROWN
3	RED
4	ORANGE
5	YELLOW
6	GREEN
7	BLUE
8	VIOLET
9	GRAY
10	WHITE
11	BLACK
12	BROWN
13	RED
14	ORANGE
15	YELLOW
16	GREEN
17	BLUE
18	VIOLET
19	GRAY
20	WHITE
21	BLACK
22	BROWN
23	RED
24	ORANGE
25	YELLOW

PART NO.	A43252-001	REV	ECO	DATE	APP
		A	102193	12-21-15	BCV



SECTION A-A
LESS SHRINK TUBE,
BRAID AND HARDWARE



P1

P2

NOTE:
WIRED 1 TO 1, 2 TO 2,
3 TO 3, ETC.

WIRES SHOWN NOT
CROSSED FOR CLARITY

△ SHRINK TUBE TO BE
ENCAPSULATED IN EPOXY

DIMENSIONS IN [] ARE IN
MILLIMETERS UNLESS
OTHERWISE NOTED AND ARE
FOR REFERENCE ONLY

JUM S/DW	THIRD ANGLE	THIS DRAWING CONTAINS CONFIDENTIAL AND PROPRIETARY INFORMATION WHICH IS THE PROPERTY OF OMNETICS CONNECTOR CORP. THIS DOCUMENT MAY NOT, IN WHOLE OR IN PART, BE DUPLICATED, OR DISCLOSED FOR ANY PURPOSE, WITHOUT WRITTEN PERMISSION FROM OMNETICS CONNECTOR CORP.		OMNETICS CONNECTOR CORPORATION 7260 COMMERCE CIRCLE EAST MINNEAPOLIS, MN 55432 WWW.OMNETICS.COM	CAGE CODE 61873		
	-TOLERANCES-	DFTM. BCV	DATE 07-29-15		TITLE:	DWG NO. A43252-001	
	UNLESS OTHERWISE NOTED	CHK'D.	DATE		(25) LINE MALE/MALE	SHEET 1 OF 2	
	DIMENSIONS IN INCHES	APP'D.	DATE		Bi-Lobe® JUMPER	REV	A
2 PL DEC ± .01				SCALE: 4:1			
3 PL DEC ± .005							
4 PL DEC ± .0005							
ANGLES ± 1°							