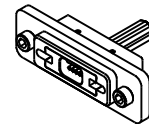
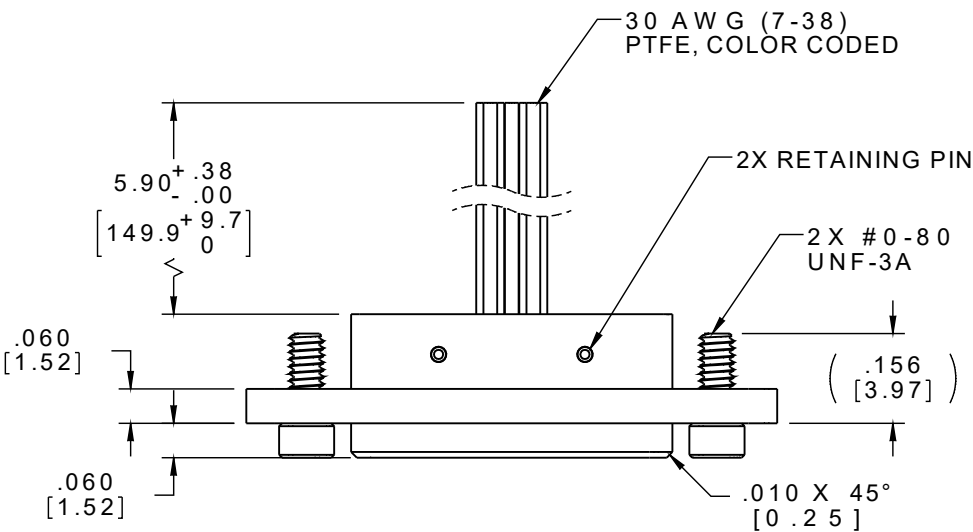


PART NO.	A60265-001	REV	ECO	DATE	APP
		B	101217	01-20-15	BCV

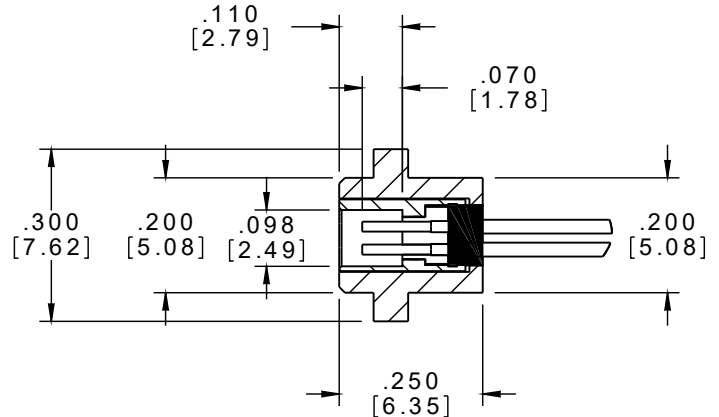
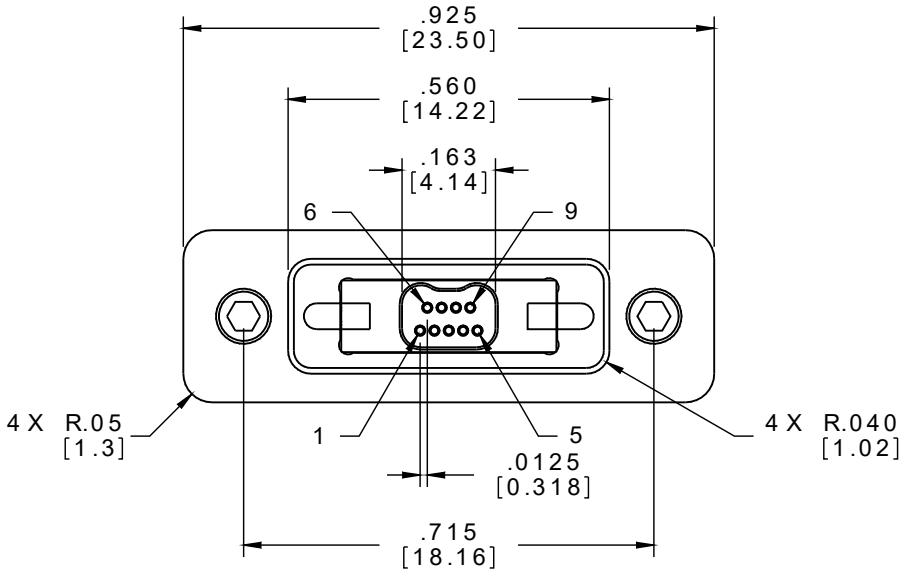
SOCKET #	COLOR
1	BLACK
2	BROWN
3	RED
4	ORANGE
5	YELLOW
6	GREEN
7	BLUE
8	VIOLET
9	GRAY



ACTUAL SIZE
EXCLUDING WIRE LENGTH



INTERNAL USE ONLY
USE MFG LOADING
PROCEDURE A29000-009



NOTE:
DIMENSIONS IN [] ARE IN MILLIMETERS UNLESS OTHERWISE NOTED AND ARE FOR REFERENCE ONLY

MNSLPSLDW	THIRD ANGLE
	-TOLERANCES-
	UNLESS OTHERWISE NOTED
	DIMENSIONS IN INCHES
	2 PL DEC ± .01
3 PL DEC ± .005	
4 PL DEC ± .0005	
ANGLES ± °	

DFTM. TLM	DATE	02-24-12
CHK'D.	DATE	
APP'D.	DATE	

TITLE:
(9) SOCKET FEMALE
LATCHING Bi-Lobe®
CONNECTOR

OMNETICS
CONNECTOR CORPORATION
7260 COMMERCE CIRCLE EAST
MINNEAPOLIS, MN 55432
WWW.OMNETICS.COM

CAGE CODE 61873	
DWG NO. A60265-001	
SHEET 1 OF 1	REV B
SCALE: 3:1	