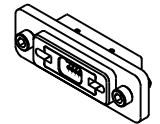
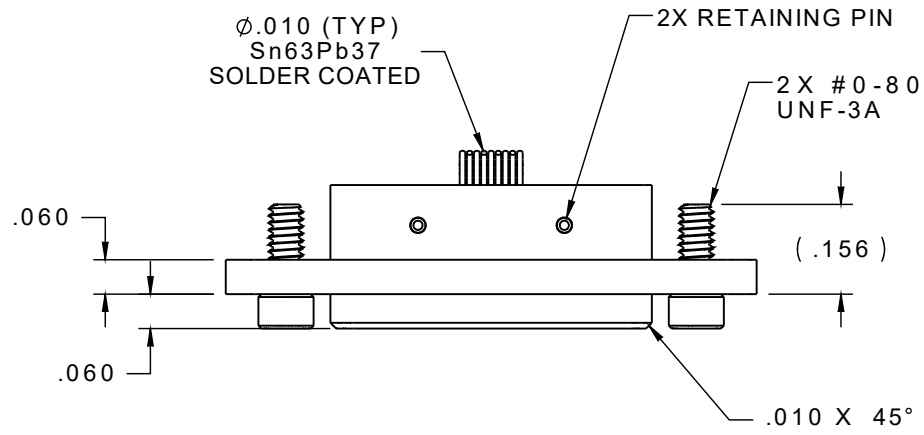
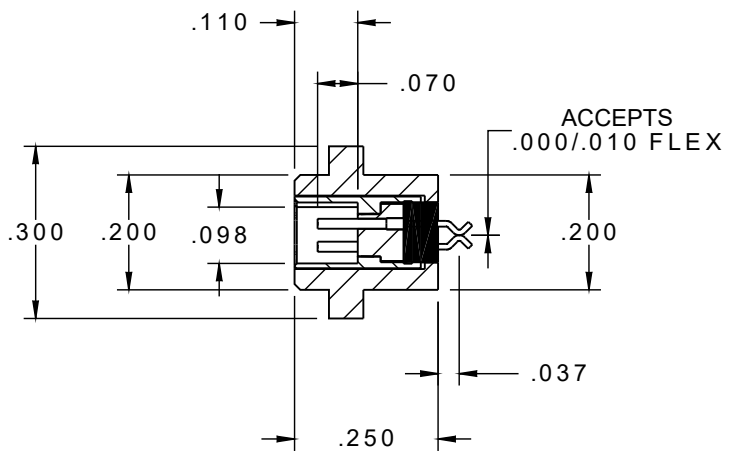
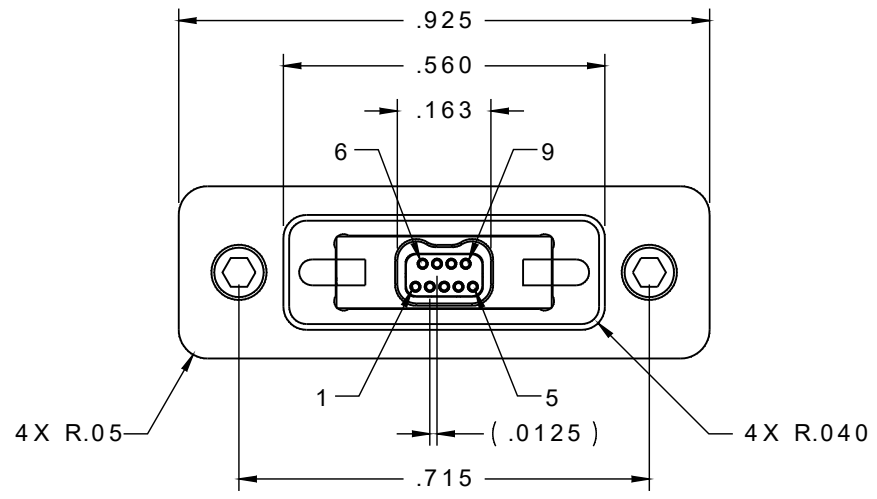


PART NO.	A60275-001	REV	ECO	DATE	APP
		B	101217	01-20-15	BCV



ACTUAL SIZE



NOTE:
USE HIGH TEMP EPOXY

MNSLPSIDW	THIRD ANGLE	THIS DRAWING CONTAINS CONFIDENTIAL AND PROPRIETARY INFORMATION WHICH IS THE PROPERTY OF OMNETICS CONNECTOR CORP. THIS DOCUMENT MAY NOT, IN WHOLE OR IN PART, BE DUPLICATED, OR DISCLOSED FOR ANY PURPOSE, WITHOUT WRITTEN PERMISSION FROM OMNETICS CONNECTOR CORP.		CAGE CODE 61873
	-TOLERANCES- UNLESS OTHERWISE NOTED	DFTM. TLM	DATE 04-12-12	
	DIMENSIONS IN INCHES	CHK'D.	DATE	CONNECTOR CORPORATION
	2 PL DEC ± .01	APP'D.	DATE	7260 COMMERCE CIRCLE EAST MINNEAPOLIS, MN 55432 WWW.OMNETICS.COM
	3 PL DEC ± .005			7260 COMMERCE CIRCLE EAST MINNEAPOLIS, MN 55432 WWW.OMNETICS.COM
4 PL DEC ± .0005				SHEET 1 OF 1
ANGLES ± °				REV B