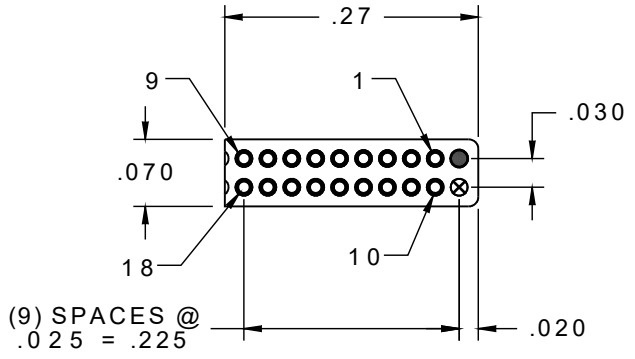
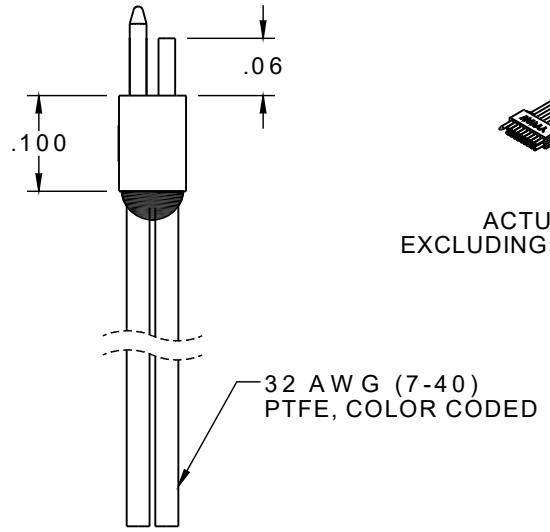
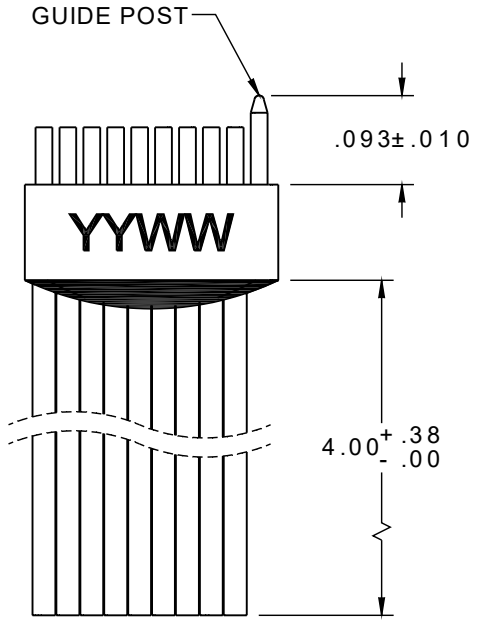


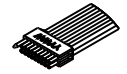
| | | | | | |
|----------|-------------|-----|--------|----------|-----|
| PART NO. | A 72765-001 | REV | ECO | DATE | APP |
| | | B | 100040 | 11-16-13 | TLM |



| SOCKET # | COLOR |
|----------|--------|
| 1, 11 | BLACK |
| 2, 12 | BROWN |
| 3, 13 | RED |
| 4, 14 | ORANGE |
| 5, 15 | YELLOW |
| 6, 16 | GREEN |
| 7, 17 | BLUE |
| 8, 18 | VIOLET |
| 9 | GRAY |
| 10 | WHITE |



ACTUAL SIZE
EXCLUDING WIRE LENGTH



| | |
|------------------|------------------------|
| NSD S/DW | THIRD ANGLE |
| | -TOLERANCES- |
| | UNLESS OTHERWISE NOTED |
| | DIMENSIONS IN INCHES |
| 2 PL DEC ± .01 | |
| 3 PL DEC ± .005 | |
| 4 PL DEC ± .0005 | |
| ANGLES ± 1° | |

| | |
|--|---------------|
| THIS DRAWING CONTAINS CONFIDENTIAL AND PROPRIETARY INFORMATION WHICH IS THE PROPERTY OF OMNETICS CONNECTOR CORP. THIS DOCUMENT MAY NOT, IN WHOLE OR IN PART, BE DUPLICATED, OR DISCLOSED FOR ANY PURPOSE, WITHOUT WRITTEN PERMISSION FROM OMNETICS CONNECTOR CORP. | |
| DFTM. MJM | DATE 12-05-11 |
| CHK'D. | DATE |
| APP'D. | DATE |
| TITLE: (18) SOCKET FEMALE NANO DUAL ROW W/GUIDE POST | |

OMNETICS
CONNECTOR CORPORATION

7260 COMMERCE CIRCLE EAST
MINNEAPOLIS, MN 55432
WWW.OMNETICS.COM

| | |
|--------------------|-------|
| CAGE CODE 61873 | |
| DWG NO. A72765-001 | |
| SHEET 1 OF 2 | REV B |
| SCALE: 5:1 | |