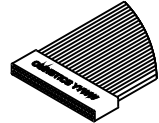
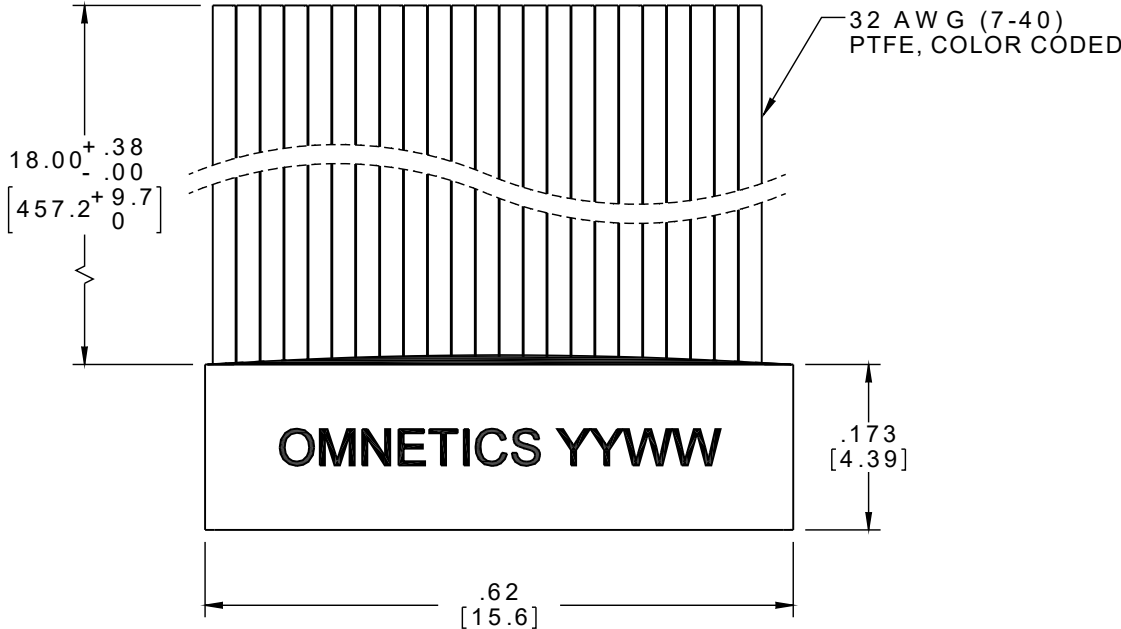
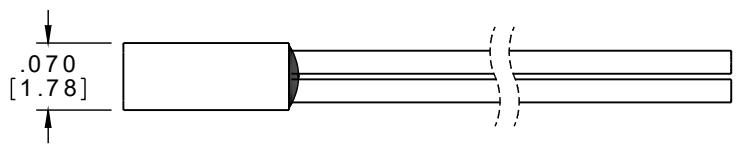
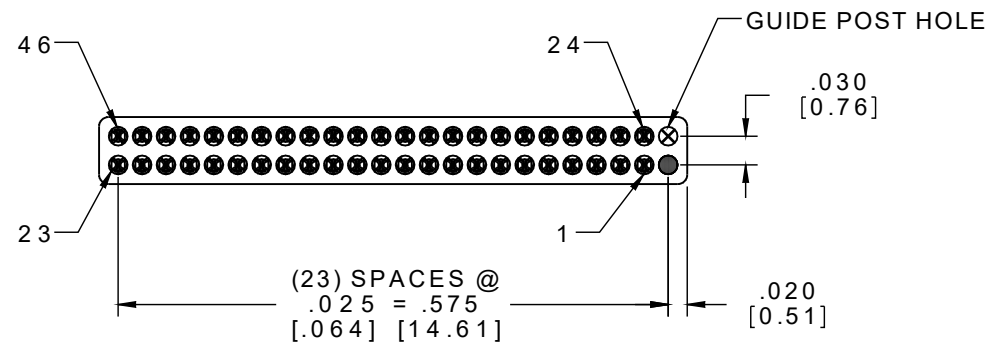


PART NO.	A74285-001	REV	ECO	DATE	APP
		A	100207	01-21-14	TLM



ACTUAL SIZE
EXCLUDING WIRE LENGTH

PIN #	COLOR
1, 11, 21, 31, 41	BLACK
2, 12, 22, 32, 42	BROWN
3, 13, 23, 33, 43	RED
4, 14, 24, 34, 44	ORANGE
5, 15, 25, 35, 45	YELLOW
6, 16, 26, 36, 46	GREEN
7, 17, 27, 37	BLUE
8, 18, 28, 38	VIOLET
9, 19, 29, 39	GRAY
10, 20, 30, 40	WHITE



NOTE:
DIMENSIONS IN [] ARE IN MILLIMETERS UNLESS OTHERWISE NOTED AND ARE FOR REFERENCE ONLY

NPD SLD/W	THIRD ANGLE	THIS DRAWING CONTAINS CONFIDENTIAL AND PROPRIETARY INFORMATION WHICH IS THE PROPERTY OF OMNETICS CONNECTOR CORP. THIS DOCUMENT MAY NOT, IN WHOLE OR IN PART, BE DUPLICATED, OR DISCLOSED FOR ANY PURPOSE, WITHOUT WRITTEN PERMISSION FROM OMNETICS CONNECTOR CORP.	
	-TOLERANCES-	DFTM. TLM	DATE 11-19-13
	UNLESS OTHERWISE NOTED	CHK'D.	DATE
	DIMENSIONS IN INCHES	APP'D.	DATE
	2 PL DEC ± .01	TITLE: (46) PIN MALE NANO DUAL ROW CONNECTOR W/GUIDE POST HOLE	
	3 PL DEC ± .005		
	4 PL DEC ± .0005		
	ANGLES ± 1°		

OMNETICS
CONNECTOR CORPORATION
7260 COMMERCE CIRCLE EAST
MINNEAPOLIS, MN 55432
WWW.OMNETICS.COM

CAGE CODE 61873	
DWG NO. A74285-001	
SHEET 1 OF 2	REV A
SCALE: 5:1	