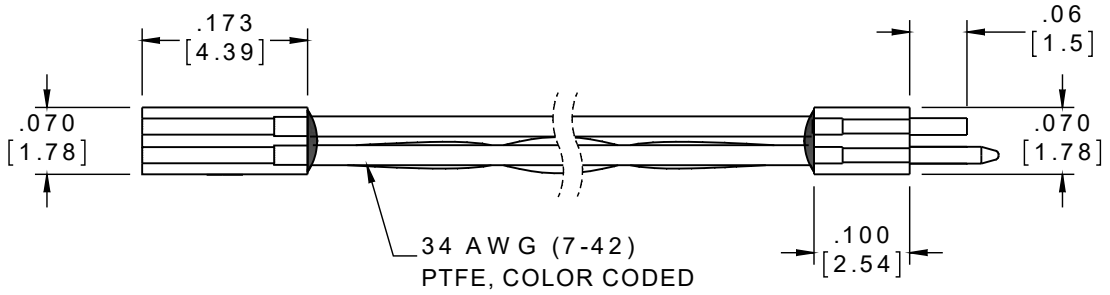
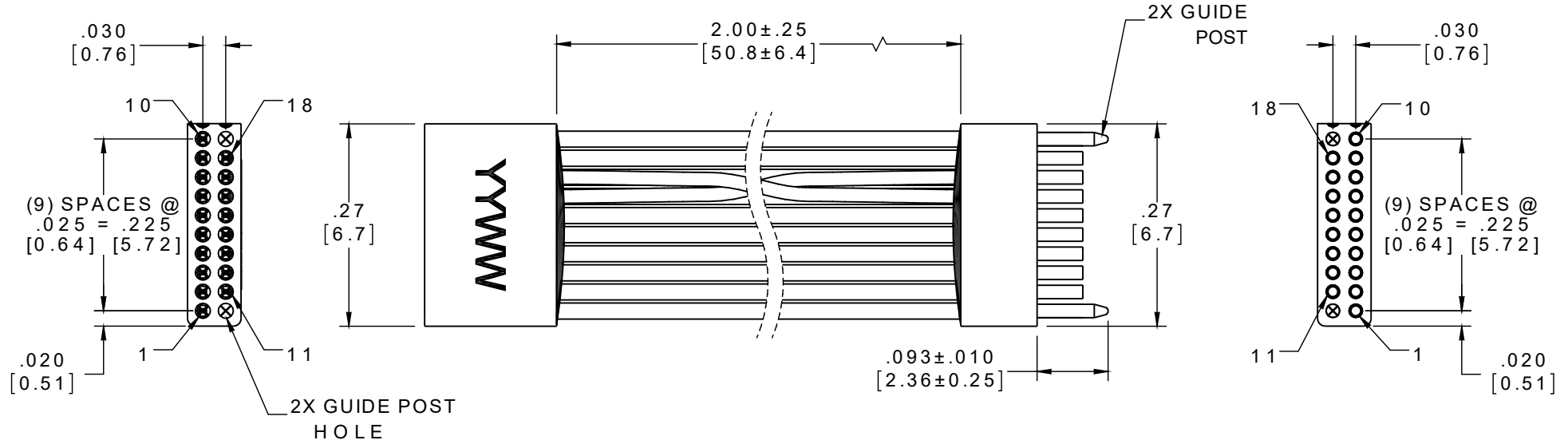


PART NO.	A75689-001	REV	ECO	DATE	APP
		A	102223	01-07-16	BCV



P1


P2




NOTE:
DIMENSIONS IN [] ARE IN MILLIMETERS UNLESS OTHERWISE NOTED AND ARE FOR REFERENCE ONLY

THIRD ANGLE -TOLERANCES- UNLESS OTHERWISE NOTED DIMENSIONS IN INCHES 2 PL DEC ± .01 3 PL DEC ± .005 4 PL DEC ± .0005 ANGLES ± 1°	THIS DRAWING CONTAINS CONFIDENTIAL AND PROPRIETARY INFORMATION WHICH IS THE PROPERTY OF OMNETICS CONNECTOR CORP. THIS DOCUMENT MAY NOT, IN WHOLE OR IN PART, BE DUPLICATED, OR DISCLOSED FOR ANY PURPOSE, WITHOUT WRITTEN PERMISSION FROM OMNETICS CONNECTOR CORP.		OMNETICS CONNECTOR CORPORATION 7260 COMMERCE CIRCLE EAST MINNEAPOLIS, MN 55432 WWW.OMNETICS.COM	CAGE CODE 61873	
	DFTM. HV	DATE 12-22-15		DWG NO. A75689-001	
	CHK'D.	DATE		SHEET 1 OF 3	
	APP'D.	DATE		TITLE: (18) LINE MALE/FEMALE NANO DUAL ROW W/GUIDE POSTS & GP HOLES	REV A
SCALE: 5:1					

PART NO.	A 75689-001	REV	ECO	DATE	APP
		A	102223	01-07-16	BCV

P 1	COLORS	P 2	NOTES
1	BLACK	1	
2	BROWN	2	
3	RED	3	
4	ORANGE	4	
5	YELLOW	5	
6	GREEN	6	
7	BLUE	7	
8	VIOLET	8	-
9	GRAY	9	
10	WHITE	10	
11	BLACK	11	
12	BROWN	12	
13	RED	13	
14	ORANGE	14	
15	YELLOW	15	
16	GREEN	16	
17	BLUE	17	
18	VIOLET	18	-

JUN WDM S/DW	THIRD ANGLE 	THIS DRAWING CONTAINS CONFIDENTIAL AND PROPRIETARY INFORMATION WHICH IS THE PROPERTY OF OMNETICS CONNECTOR CORP. THIS DOCUMENT MAY NOT, IN WHOLE OR IN PART, BE DUPLICATED, OR DISCLOSED FOR ANY PURPOSE, WITHOUT WRITTEN PERMISSION FROM OMNETICS CONNECTOR CORP.		OMNETICS	CAGE CODE 61873	
	-TOLERANCES-	DFTM. HV	DATE 12-22-15		TITLE:	CONNECTOR CORPORATION
	UNLESS OTHERWISE NOTED	CHK'D.	DATE	(18) LINE MALE/FEMALE	7260 COMMERCE CIRCLE EAST	SHEET 2 OF 3
	DIMENSIONS IN INCHES	APP'D.	DATE	NANO DUAL ROW W/GUIDE POSTS & GP HOLES	MINNEAPOLIS, MN 55432	REV A
2 PL DEC ± .01				WWW.OMNETICS.COM	SCALE: 5:1	
3 PL DEC ± .005						
4 PL DEC ± .0005						
ANGLES ± 1°						