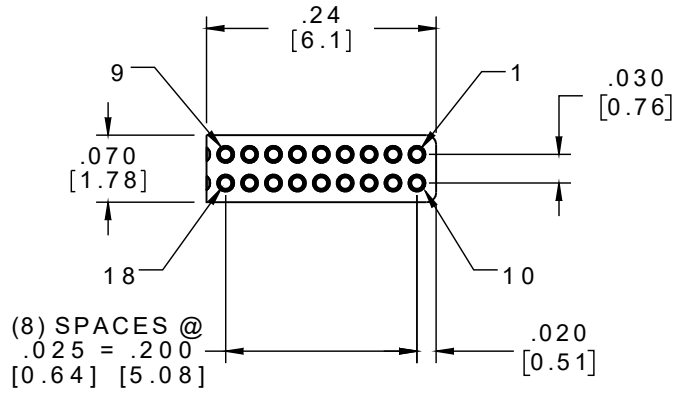


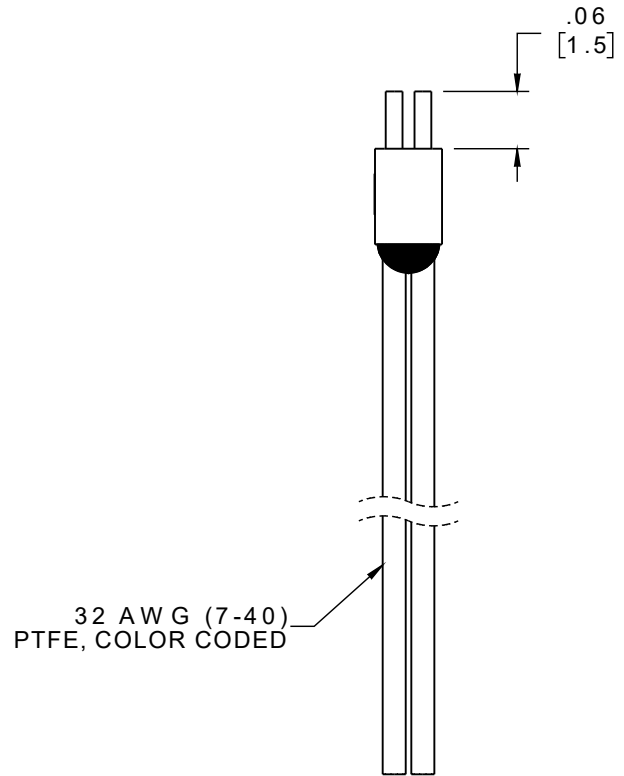
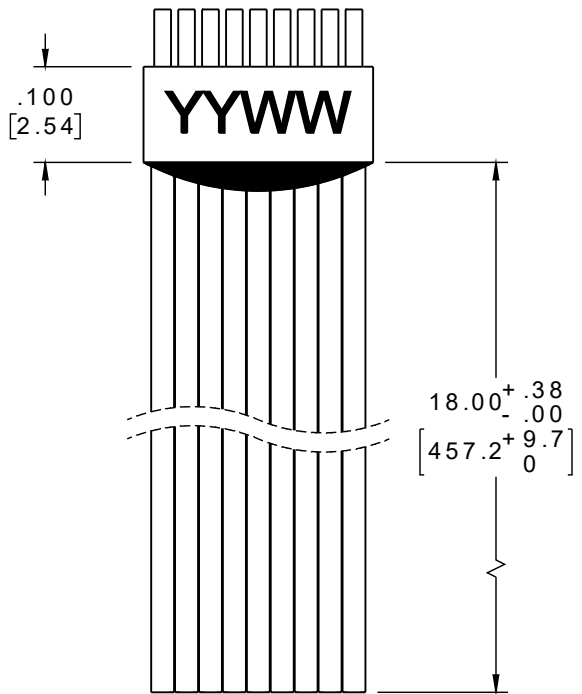
PART NO.	A 76122-001	REV	ECO	DATE	APP
		A	102994	10-28-16	TLM



SOCKET #	COLOR
1, 11	BLACK
2, 12	BROWN
3, 13	RED
4, 14	ORANGE
5, 15	YELLOW
6, 16	GREEN
7, 17	BLUE
8, 18	VIOLET
9	GRAY
10	WHITE



ACTUAL SIZE  
EXCLUDING WIRE LENGTH



NOTE:  
DIMENSIONS IN [ ] ARE IN MILLIMETERS UNLESS OTHERWISE NOTED AND ARE FOR REFERENCE ONLY

NSD S/D	THIRD ANGLE	THIS DRAWING CONTAINS CONFIDENTIAL AND PROPRIETARY INFORMATION WHICH IS THE PROPERTY OF OMNETICS CONNECTOR CORP. THIS DOCUMENT MAY NOT, IN WHOLE OR IN PART, BE DUPLICATED, OR DISCLOSED FOR ANY PURPOSE, WITHOUT WRITTEN PERMISSION FROM OMNETICS CONNECTOR CORP.		<b>OMNETICS</b>	CAGE CODE 61873	
	-TOLERANCES- UNLESS OTHERWISE NOTED DIMENSIONS IN INCHES	DFTM. HV	DATE 10-03-16		DWG NO. A76122-001	
	2 PL DEC ± .01	CHK'D.	DATE	CONNECTOR CORPORATION		SHEET 1 OF 2
	3 PL DEC ± .005	APP'D.	DATE	7260 COMMERCE CIRCLE EAST MINNEAPOLIS, MN 55432 WWW.OMNETICS.COM		
4 PL DEC ± .0005			TITLE: (18) SOCKET FEMALE NANO DUAL ROW CONNECTOR		SCALE: 5:1	
ANGLES ± 1°						