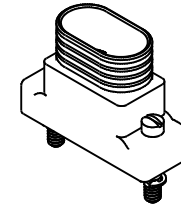
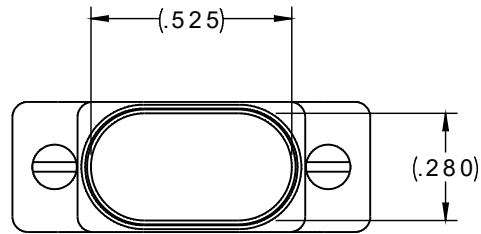
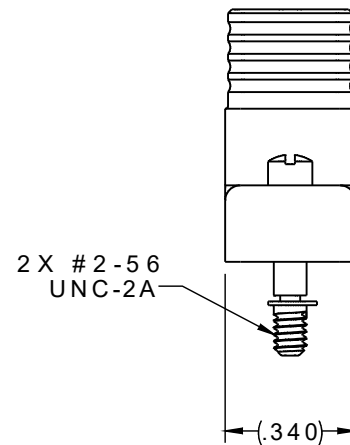
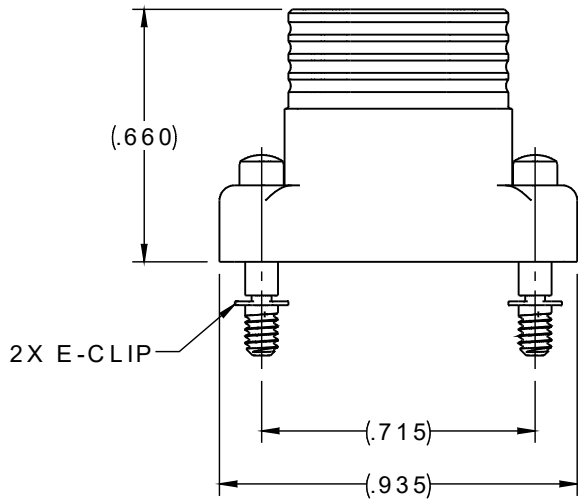


PART NO.	A97001-015	REV	ECO	DATE	APP
		C	102479	03-30-16	TLM



ACTUAL SIZE



NOTE:

PACKAGED KIT INCLUDES:
 1 BACKSHELL, 2 SCREWS,
 2 E-CLIPS (NOT ASSEMBLED)

BACKSHELL: ALUMINUM ALLOY,
 .0007/.0010 ELECTROLESS
 NICKEL PER SAE AMS-2404
 CLASS 3 OR 4 GRADE B

HARDWARE: PASSIVATED
 STAINLESS STEEL

PARTS SHOWN ASSEMBLED FOR CLARITY

MFG'S	THIRD ANGLE	THIS DRAWING CONTAINS CONFIDENTIAL AND PROPRIETARY INFORMATION WHICH IS THE PROPERTY OF OMNETICS CONNECTOR CORP. THIS DOCUMENT MAY NOT, IN WHOLE OR IN PART, BE DUPLICATED, OR DISCLOSED FOR ANY PURPOSE, WITHOUT WRITTEN PERMISSION FROM OMNETICS CONNECTOR CORP.		OMNETICS	CAGE CODE 61873	
	-TOLERANCES- UNLESS OTHERWISE NOTED	DFTM. MJM	DATE 09-08-11		TITLE: KIT, BACKSHELL MICRO-D, STRAIGHT OVAL ENTRY, (1) PIECE	CONNECTION CORPORATION
	DIMENSIONS IN INCHES	CHK'D.	DATE	7260 COMMERCE CIRCLE EAST MINNEAPOLIS, MN 55432 WWW.OMNETICS.COM	SHEET 1 OF 1	
	2 PL DEC ± .01 3 PL DEC ± .005 4 PL DEC ± .0005 ANGLES ± 1°	APP'D.	DATE		SCALE: 2:1	REV C