

MATERIALS

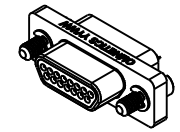
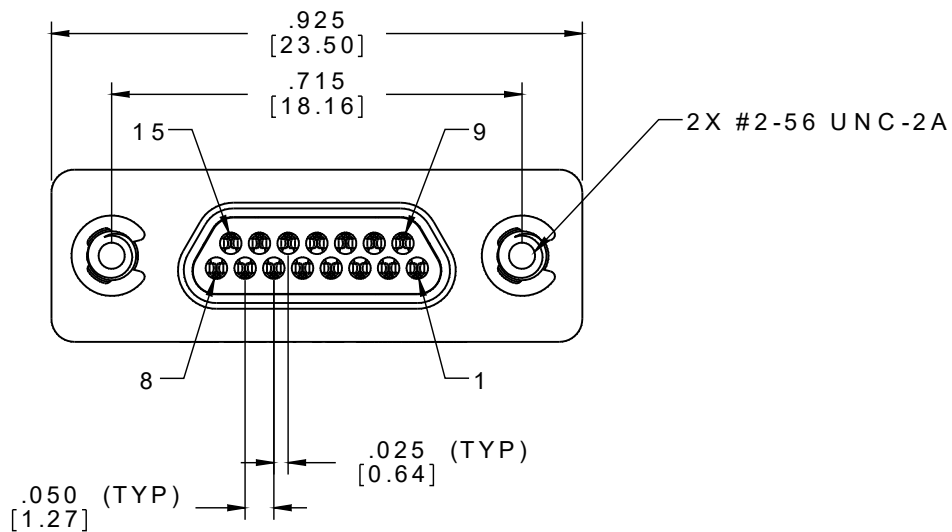
HOUSING:
ALUMINUM 6061-T6, NICKEL
PLATE PER AMS-C-26074

INSULATOR:
LIQUID CRYSTAL POLYMER
(LCP) PER ASTM D5138

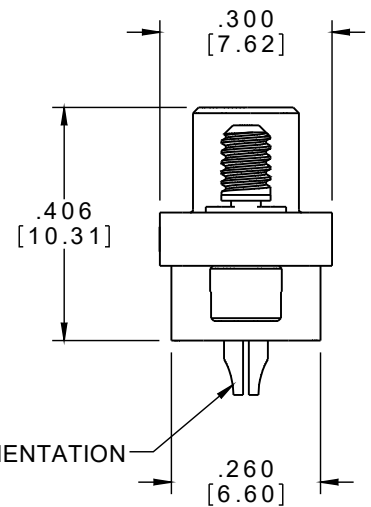
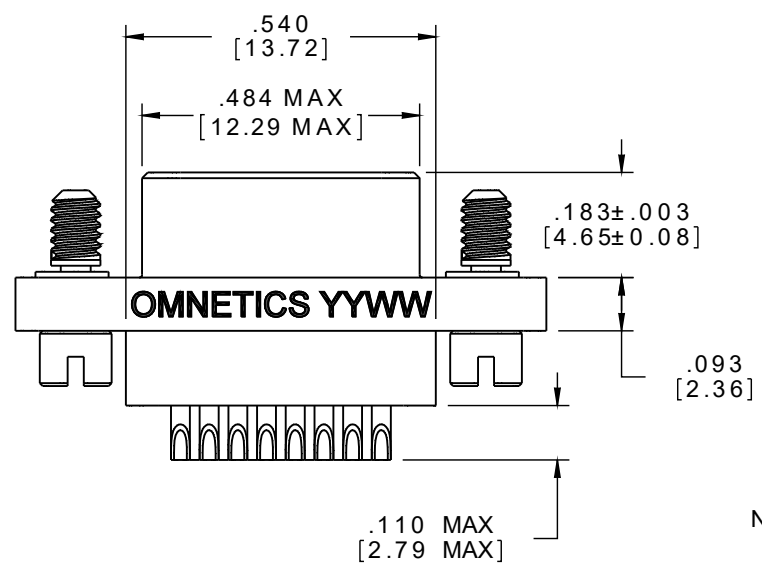
CONTACT/SOLDERCUP:
BERYLLIUM COPPER PER
ASTM B194, C17200, AND
COPPER ALLOY PER MIL-
DTL-83513, GOLD PLATED
PER ASTM B488, (HARD
GOLD) TYPE II CODE C,
CLASS 1.27

HARDWARE:
STAINLESS STEEL, PASSIVATED
PER SAE-AMS-2700

PART NO.	A98007-015	REV	ECO	DATE	APP
		B	99313	02-28-13	JMJ



ACTUAL SIZE



NOTE ORIENTATION

RoHS

NOTE:
DIMENSIONS IN [] ARE IN
MILLIMETERS UNLESS
OTHERWISE NOTED AND ARE
FOR REFERENCE ONLY

MMDP SLDW	THIRD ANGLE	THIS DRAWING CONTAINS CONFIDENTIAL AND PROPRIETARY INFORMATION WHICH IS THE PROPERTY OF OMNETICS CONNECTOR CORP. THIS DOCUMENT MAY NOT, IN WHOLE OR IN PART, BE DUPLICATED, OR DISCLOSED FOR ANY PURPOSE, WITHOUT WRITTEN PERMISSION FROM OMNETICS CONNECTOR CORP.	
	-TOLERANCES-	DATE	TITLE:
	UNLESS OTHERWISE NOTED	10-31-11	(15) PIN MALE
	DIMENSIONS IN INCHES		MICRO-D CONNECTOR
2 PL DEC ± .01	DFTM. DGJ	DATE	
3 PL DEC ± .005	CHK'D.	DATE	
4 PL DEC ± .0005	APP'D.	DATE	
ANGLES ± 1°			

OMNETICS
CONNECTOR CORPORATION
7260 COMMERCE CIRCLE EAST
MINNEAPOLIS, MN 55432
WWW.OMNETICS.COM

CAGE CODE 61873	
DWG NO. A98007-015	
SHEET 1 OF 1	REV B
SCALE: 3:1	