

MATERIALS

HOUSING:
ALUMINUM 6061-T6, NICKEL
PLATE PER AMS-C-26074

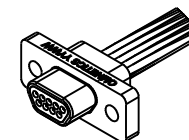
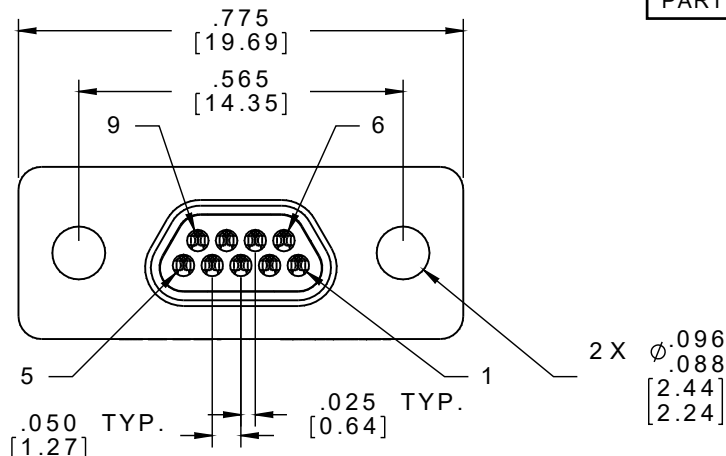
INSULATOR:
LIQUID CRYSTAL POLYMER
(LCP) PER ASTM D5138

CONTACT:
BERYLLIUM COPPER PER
ASTM B194, C17200, GOLD
PLATED PER ASTM B488,
(HARD GOLD) TYPE II CODE
C, CLASS 1.27

WIRE:
NEMA HP3 TYPE E, COLOR
CODED IAW MIL-STD-681,
SYSTEM 1, USING TEN SOLID
REPEATING COLORS

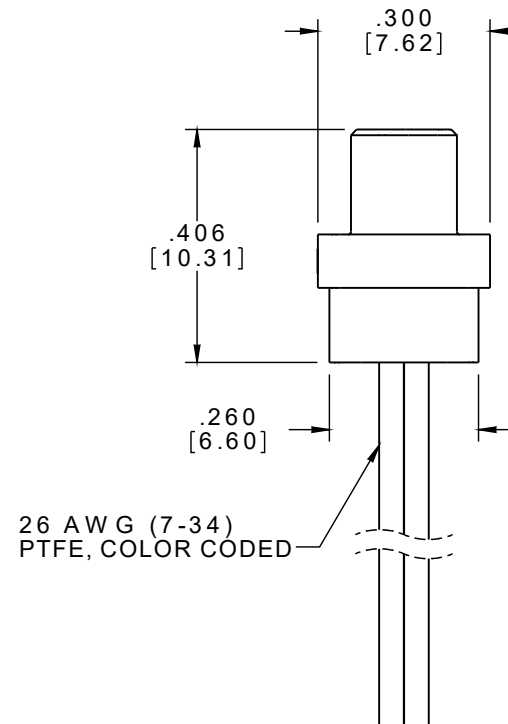
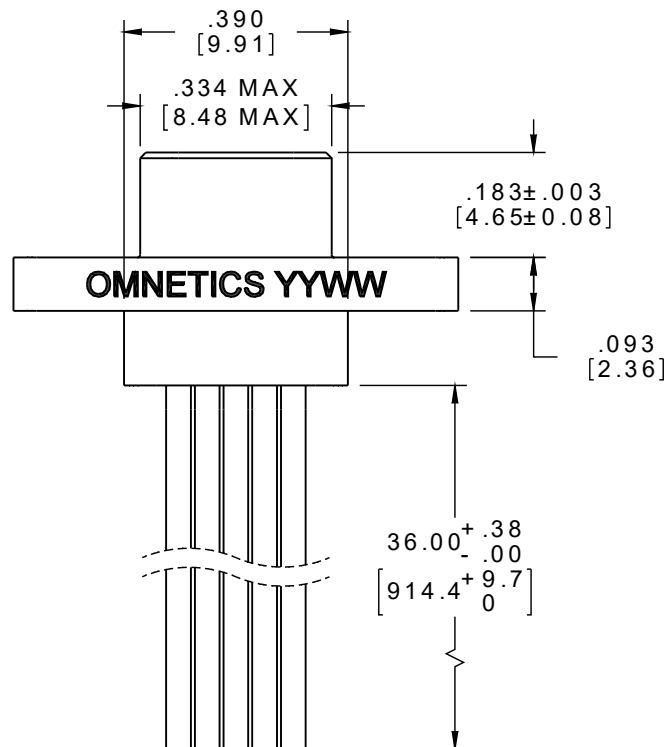
HARDWARE:
AVAILABLE UPON REQUEST

PART NO.	A98014-009	REV	ECO	DATE	APP
		B	99319	03-01-13	JMJ



ACTUAL SIZE
EXCLUDING WIRE LENGTH

PIN #	COLOR
1	BLACK
2	BROWN
3	RED
4	ORANGE
5	YELLOW
6	GREEN
7	BLUE
8	VIOLET
9	GRAY



26 AWG (7-34)
PTFE, COLOR CODED

RoHS

NOTE:

DIMENSIONS IN [] ARE IN
MILLIMETERS UNLESS
OTHERWISE NOTED AND ARE
FOR REFERENCE ONLY

MMDP SLDW	THIRD ANGLE	THIS DRAWING CONTAINS CONFIDENTIAL AND PROPRIETARY INFORMATION WHICH IS THE PROPERTY OF OMNETICS CONNECTOR CORPORATION. THIS DOCUMENT MAY NOT, IN WHOLE OR IN PART, BE DUPLICATED, OR DISCLOSED FOR ANY PURPOSE, WITHOUT WRITTEN PERMISSION FROM OMNETICS CONNECTOR CORP.		CAGE CODE 61873	
	-TOLERANCES-	TITLE: (9) PIN MALE MICRO-D CONNECTOR			DWG NO. A98014-009
	UNLESS OTHERWISE NOTED	DFTM. TLM	DATE 06-01-11	SHEET 1 OF 2	
	DIMENSIONS IN INCHES	CHK'D.	DATE	REV B	
2 PL DEC ± .01	APP'D.	DATE	SCALE: 3:1		
3 PL DEC ± .005					
4 PL DEC ± .0005					
ANGLES ± 1°					

OMNETICS
CONNECTOR CORPORATION
7260 COMMERCE CIRCLE EAST
MINNEAPOLIS, MN 55432
WWW.OMNETICS.COM