

# MATERIALS

**HOUSING:**  
ALUMINUM 6061-T6, NICKEL PLATE PER AMS-C-26074

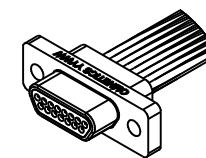
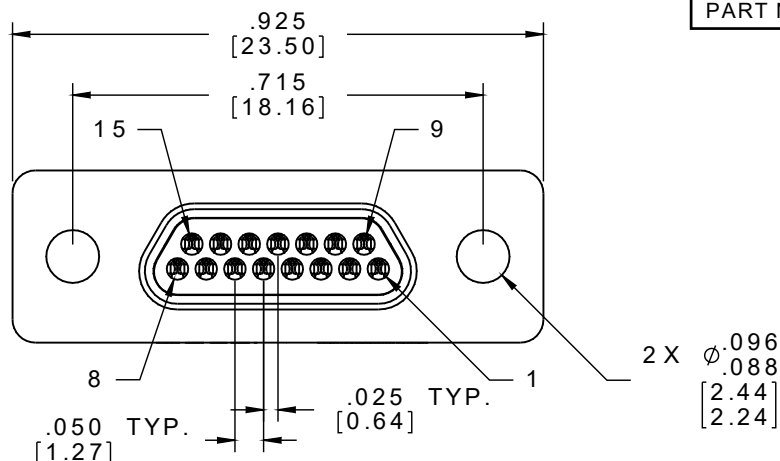
**INSULATOR:**  
LIQUID CRYSTAL POLYMER (LCP) PER ASTM D5138

**CONTACT:**  
BERYLLIUM COPPER PER ASTM B194, C17200, GOLD PLATED PER ASTM B488, (HARD GOLD) TYPE II CODE C, CLASS 1.27

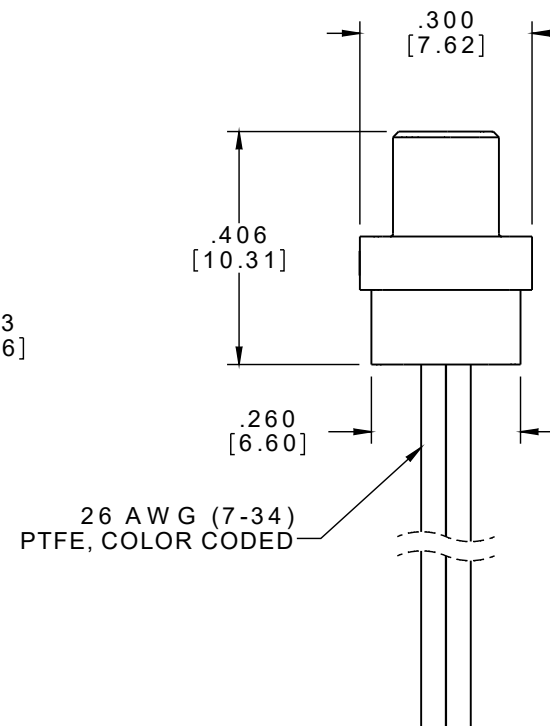
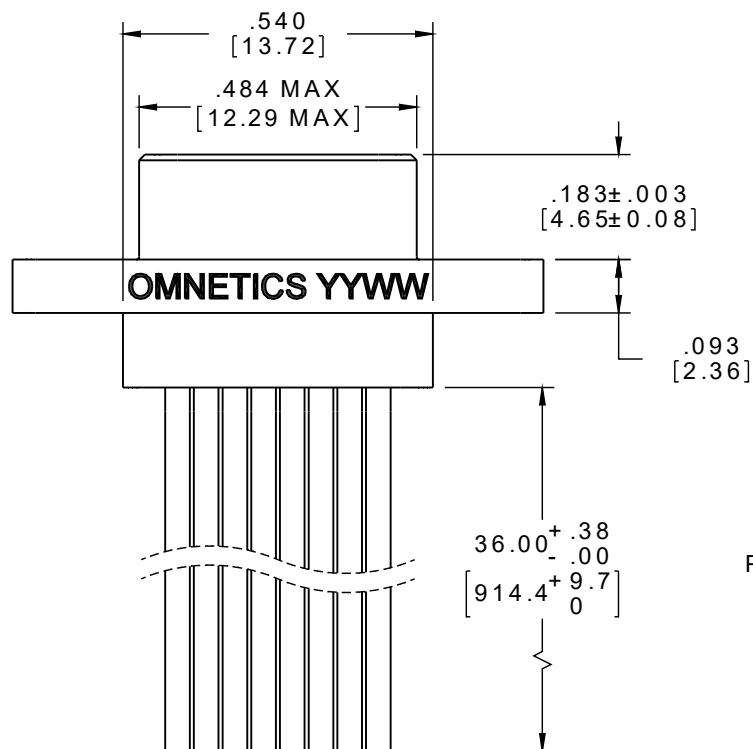
**WIRE:**  
NEMA HP3 TYPE E, COLOR CODED IAW MIL-STD-681, SYSTEM 1, USING TEN SOLID REPEATING COLORS

**HARDWARE:**  
AVAILABLE UPON REQUEST

PART NO.	A98014-015	REV	ECO	DATE	APP
		B	99319	03-01-13	JMJ



ACTUAL SIZE EXCLUDING WIRE LENGTH



P IN #	COLOR
1, 11	BLACK
2, 12	BROWN
3, 13	RED
4, 14	ORANGE
5, 15	YELLOW
6	GREEN
7	BLUE
8	VIOLET
9	GRAY
10	WHITE

**NOTE:**

DIMENSIONS IN [ ] ARE IN MILLIMETERS UNLESS OTHERWISE NOTED AND ARE FOR REFERENCE ONLY

MMDP SLDW	THIRD ANGLE	THIS DRAWING CONTAINS CONFIDENTIAL AND PROPRIETARY INFORMATION WHICH IS THE PROPERTY OF OMNETICS CONNECTOR CORP. THIS DOCUMENT MAY NOT, IN WHOLE OR IN PART, BE DUPLICATED, OR DISCLOSED FOR ANY PURPOSE, WITHOUT WRITTEN PERMISSION FROM OMNETICS CONNECTOR CORP.		CAGE CODE 61873	
	-TOLERANCES-	DFTM. TLM	DATE 06-01-11		TITLE: (15) PIN MALE MICRO-D CONNECTOR
	UNLESS OTHERWISE NOTED	CHK'D.	DATE	OMNETICS CONNECTOR CORPORATION 7260 COMMERCE CIRCLE EAST MINNEAPOLIS, MN 55432 WWW.OMNETICS.COM	DWG NO. A98014-015
	DIMENSIONS IN INCHES	APP'D.	DATE	SHEET 1 OF 2	REV B

**RoHS**