

**MATERIALS**

PART NO.	A98014-037	REV	ECO	DATE	APP
		B	99319	03-01-13	JMJ

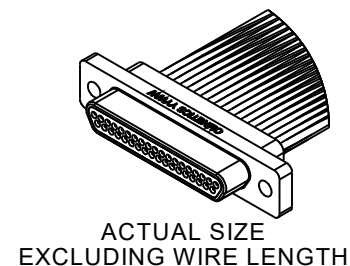
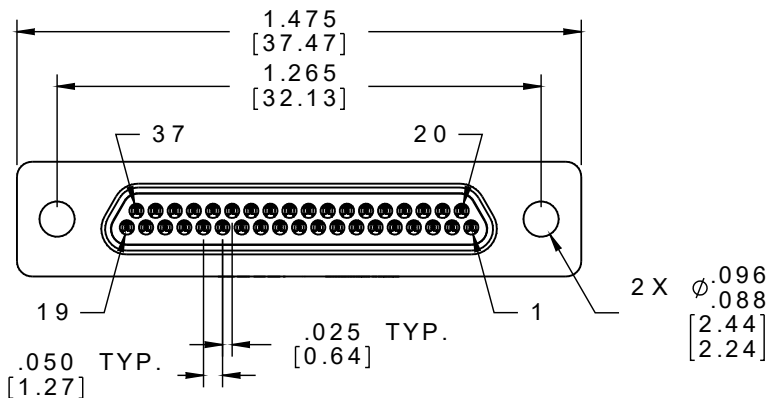
**HOUSING:**  
ALUMINUM 6061-T6, NICKEL  
PLATE PER AMS-C-26074

**INSULATOR:**  
LIQUID CRYSTAL POLYMER  
(LCP) PER ASTM D5138

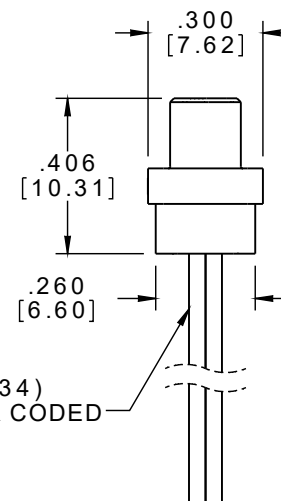
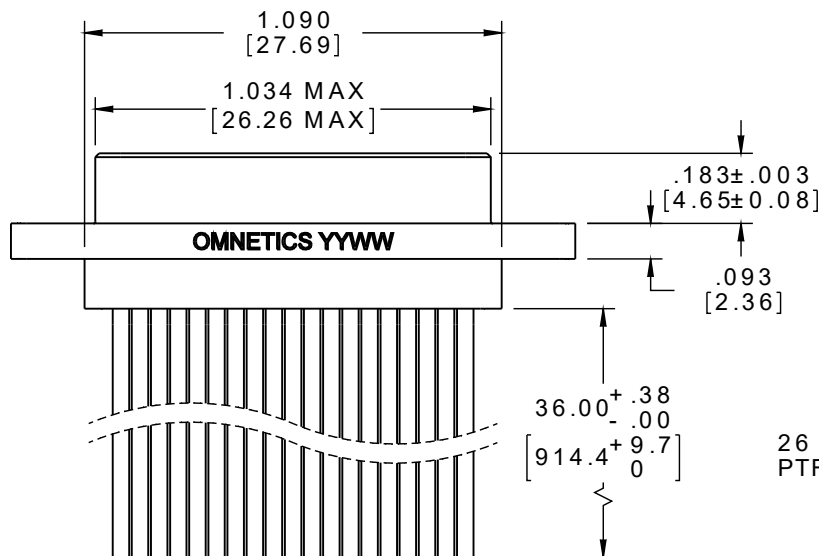
**CONTACT:**  
BERYLLIUM COPPER PER  
ASTM B194, C17200, GOLD  
PLATED PER ASTM B488,  
(HARD GOLD) TYPE II CODE  
C, CLASS 1.27

**WIRE:**  
NEMA HP3 TYPE E, COLOR  
CODED IAW MIL-STD-681,  
SYSTEM 1, USING TEN SOLID  
REPEATING COLORS

**HARDWARE:**  
AVAILABLE UPON REQUEST



PIN #	COLOR
1, 11, 21, 31	BLACK
2, 12, 22, 32	BROWN
3, 13, 23, 33	RED
4, 14, 24, 34	ORANGE
5, 15, 25, 35	YELLOW
6, 16, 26, 36	GREEN
7, 17, 27, 37	BLUE
8, 18, 28	VIOLET
9, 19, 29	GRAY
10, 20, 30	WHITE



**RoHS**

**NOTE:**

DIMENSIONS IN [ ] ARE IN MILLIMETERS UNLESS OTHERWISE NOTED AND ARE FOR REFERENCE ONLY

MMDP SLDW	THIRD ANGLE	THIS DRAWING CONTAINS CONFIDENTIAL AND PROPRIETARY INFORMATION WHICH IS THE PROPERTY OF OMNETICS CONNECTOR CORP. THIS DOCUMENT MAY NOT, IN WHOLE OR IN PART, BE DUPLICATED, OR DISCLOSED FOR ANY PURPOSE, WITHOUT WRITTEN PERMISSION FROM OMNETICS CONNECTOR CORP.		 7260 COMMERCE CIRCLE EAST MINNEAPOLIS, MN 55432 WWW.OMNETICS.COM	CAGE CODE 61873		
	-TOLERANCES- UNLESS OTHERWISE NOTED DIMENSIONS IN INCHES	DFTM. TLM	DATE 06-01-11		TITLE: (37) PIN MALE MICRO-D CONNECTOR	DWG NO. A98014-037	
	2 PL DEC ± .01 3 PL DEC ± .005 4 PL DEC ± .0005 ANGLES ± 1°	CHK'D.	DATE			SHEET 1 OF 2 REV B	
		APP'D.	DATE			SCALE: 2:1	