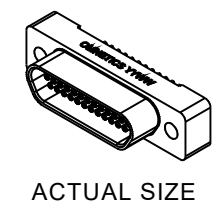
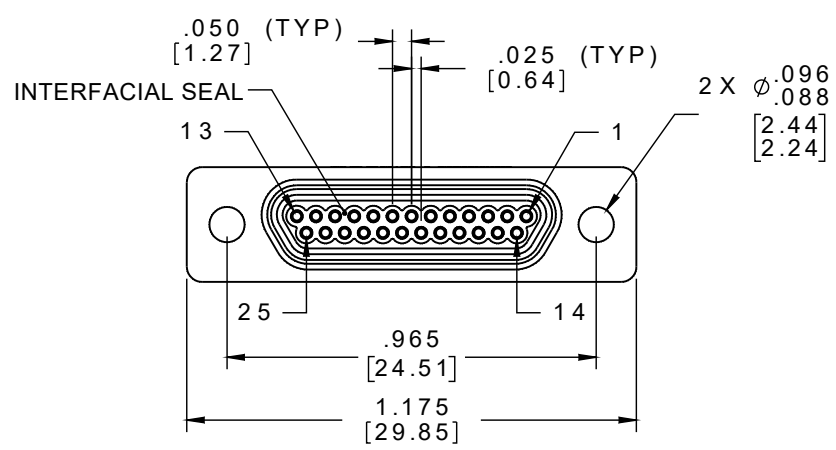
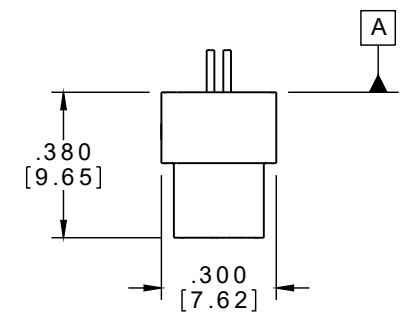
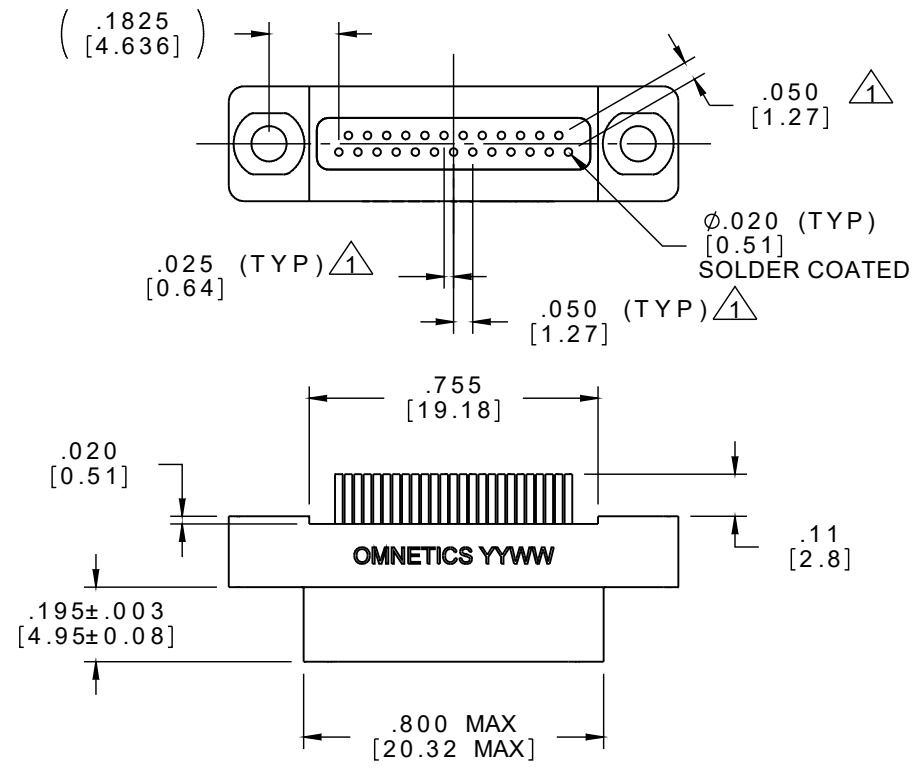


PART NO.	A99046-025	REV	ECO	DATE	APP
		B	106983	01-21-2021	ARJ



NOTE:
DIMENSIONS IN [] ARE IN MILLIMETERS UNLESS OTHERWISE NOTED AND ARE FOR REFERENCE ONLY

\triangle TAIL DIMENSIONS APPLY AT PLANE A

MMSD SMDW	THIRD ANGLE \triangle
	-TOLERANCES- UNLESS OTHERWISE NOTED
	DIMENSIONS IN INCHES
	2 PL DEC ± .01 3 PL DEC ± .005 4 PL DEC ± .0005 ANGLES ± 1°

THIS DRAWING CONTAINS CONFIDENTIAL AND PROPRIETARY INFORMATION WHICH IS THE PROPERTY OF OMNETICS CONNECTOR CORP. THIS DOCUMENT MAY NOT, IN WHOLE OR IN PART, BE DUPLICATED, OR DISCLOSED FOR ANY PURPOSE, WITHOUT WRITTEN PERMISSION FROM OMNETICS CONNECTOR CORP.	
TITLE:	(25) SOCKET FEMALE STRAIGHT BOARD MOUNT MICRO-D CONNECTOR
DFTM. TLM	
DATE	01-19-12

OMNETICS
CONNECTOR CORPORATION
7260 COMMERCE CIRCLE EAST
MINNEAPOLIS, MN 55432
WWW.OMNETICS.COM

DWG NO.	CAGE CODE 61873
A99046-025	
SHEET 1 OF 2	SCALE: 2:1
REV B	

PART NO.	A99046-025	REV	ECO	DATE	APP
		B	106983	01-21-2021	ARJ

MATERIALS

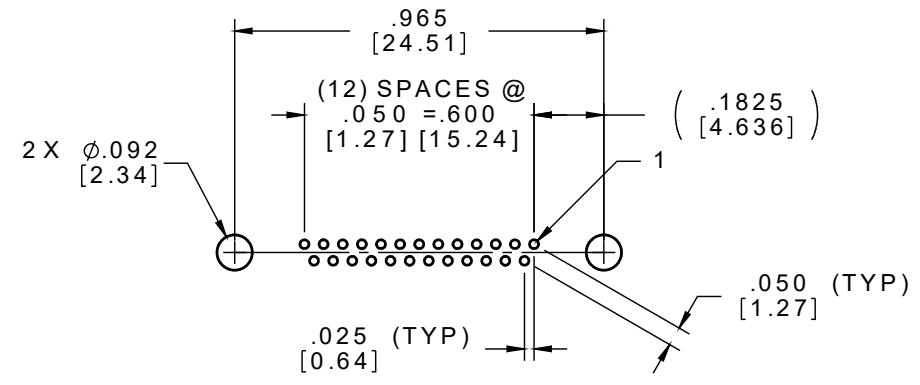
HOUSING:
ALUMINUM 6061, NICKEL PLATE
(500 MICROINCHES MINIMUM) PER
SAE-AMS-2404

INSULATOR:
LIQUID CRYSTAL POLYMER (LCP)
PER ASTM D5138

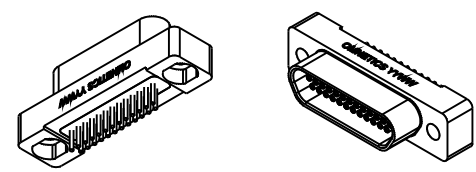
CONTACT:
COPPER ALLOY PER MIL-DTL-
83513, GOLD PLATED PER ASTM
B488, (HARD GOLD) TYPE II CODE
C CLASS 1.27

TERMINATION:
SOLDER COAT WITH SN63A PER
J-STD-006 OR AMS-P-81728

INTERFACIAL SEAL:
SILICONE RUBBER PER A-A-59588



SUGGESTED HOLE PATTERN



ACTUAL SIZE

NOTE:

DIMENSIONS IN [] ARE IN MILLIMETERS UNLESS OTHERWISE NOTED AND ARE FOR REFERENCE ONLY

MINDS S/DW	THIRD ANGLE
	-TOLERANCES-
	UNLESS OTHERWISE NOTED
	DIMENSIONS IN INCHES
2 PL DEC ± .01	
3 PL DEC ± .005	
4 PL DEC ± .0005	
ANGLES ± 1°	

THIS DRAWING CONTAINS CONFIDENTIAL AND PROPRIETARY INFORMATION WHICH IS THE PROPERTY OF OMNETICS CONNECTOR CORP. THIS DOCUMENT MAY NOT, IN WHOLE OR IN PART, BE DUPLICATED, OR DISCLOSED FOR ANY PURPOSE, WITHOUT WRITTEN PERMISSION FROM OMNETICS CONNECTOR CORP.	
TITLE:	(25) SOCKET FEMALE STRAIGHT BOARD MOUNT MICRO-D CONNECTOR
DFTM. TLM	
DATE	01-19-12

OMNETICS
CONNECTOR CORPORATION
7260 COMMERCE CIRCLE EAST
MINNEAPOLIS, MN 55432
WWW.OMNETICS.COM

DWG NO.	CAGE CODE 61873
A99046-025	
SHEET 2 OF 2	SCALE: 2:1
REV B	