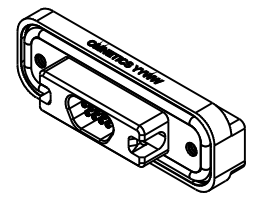
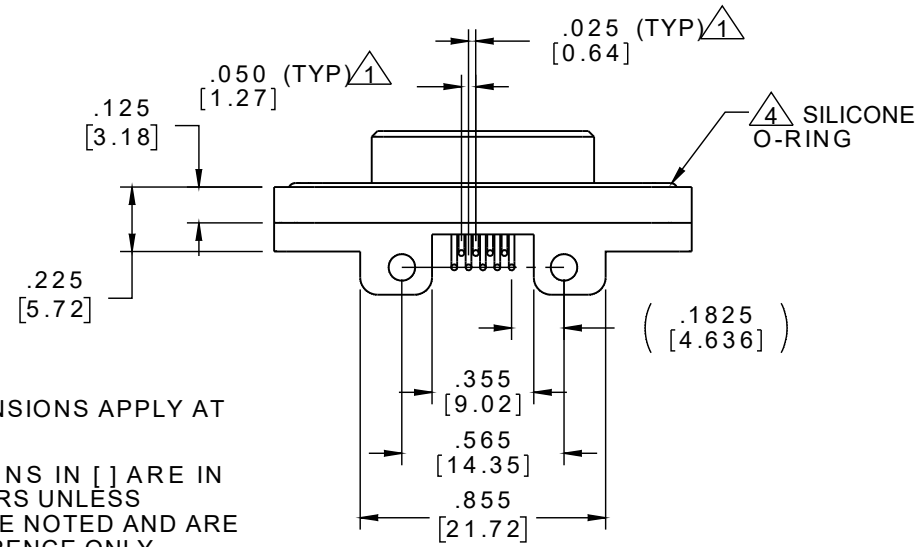
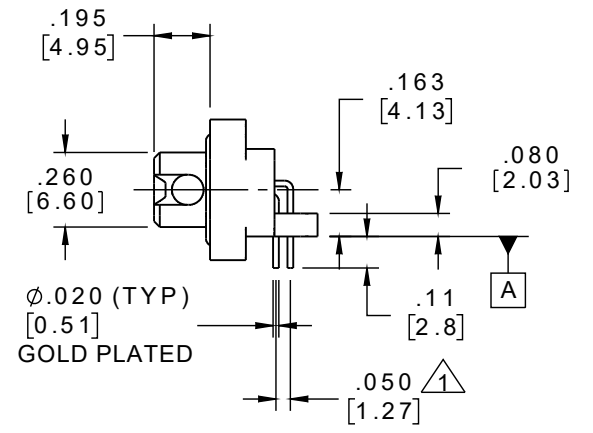
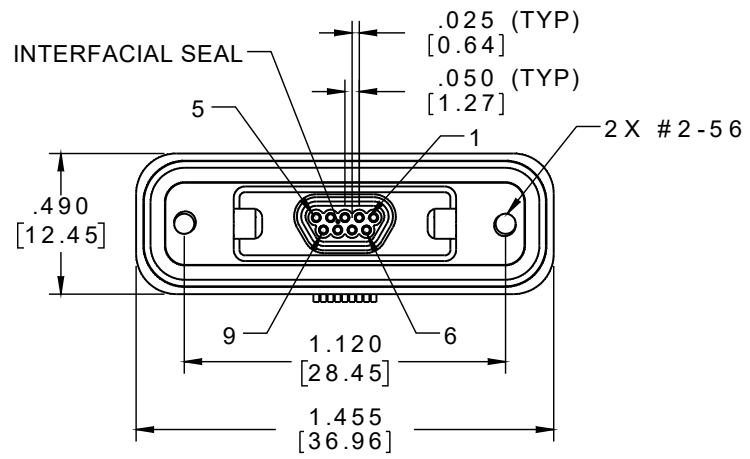
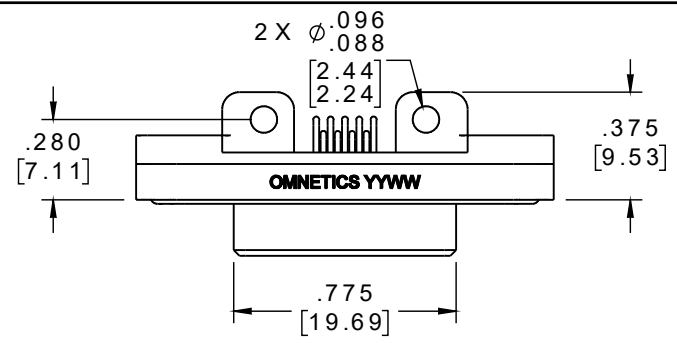


|          |            |     |        |          |     |
|----------|------------|-----|--------|----------|-----|
| PART NO. | A99070-009 | REV | ECO    | DATE     | APP |
|          |            | C   | 107920 | 03-16-22 | BAS |



ACTUAL SIZE

RoHS

- NOTES:
- 1 TAIL DIMENSIONS APPLY AT PLANE A
  - 2. DIMENSIONS IN [ ] ARE IN MILLIMETERS UNLESS OTHERWISE NOTED AND ARE FOR REFERENCE ONLY
  - 3. USE HIGH TEMP EPOXY
  - 4 O-RING PACKAGED SEPARATELY AND SHIPPED WITH ASSEMBLY. SHOWN INSTALLED FOR CLARITY

|              |                        |  |
|--------------|------------------------|--|
| LMSD<br>S/DW | THIRD ANGLE            | THIS DRAWING CONTAINS CONFIDENTIAL AND PROPRIETARY INFORMATION WHICH IS THE PROPERTY OF OMNETICS CONNECTOR CORP. THIS DOCUMENT MAY NOT, IN WHOLE OR IN PART, BE DUPLICATED, OR DISCLOSED FOR ANY PURPOSE, WITHOUT WRITTEN PERMISSION FROM OMNETICS CONNECTOR CORP. |
|              | -TOLERANCES-           |  |
|              | UNLESS OTHERWISE NOTED |  |
|              | DIMENSIONS IN INCHES   |  |
|              | TITLE:                 | (9) SOCKET FEMALE<br>90° BOARD MOUNT<br>MICRO-D CONNECTOR  |
|              | DFTM. JPF              |  |
|              | DATE                   | 04-05-12   |

**OMNETICS**  
CONNECTOR CORPORATION  
7260 COMMERCE CIRCLE EAST  
MINNEAPOLIS, MN 55432  
WWW.OMNETICS.COM

|              |                 |
|--------------|-----------------|
| DWG NO.      | CAGE CODE 61873 |
| A99070-009   |                 |
| SHEET 1 OF 2 | SCALE: 3:2      |
| REV C        |                 |

|          |            |     |        |          |     |
|----------|------------|-----|--------|----------|-----|
| PART NO. | A99070-009 | REV | ECO    | DATE     | APP |
|          |            | C   | 107920 | 03-16-22 | BAS |

**MATERIALS**

**HOUSING:**

ALUMINUM 6061, NICKEL PLATE  
(500 MICROINCHES MINIMUM) PER  
SAE-AMS-2404

**INSULATOR:**

LIQUID CRYSTAL POLYMER (LCP)  
PER ASTM D5138

**CONTACT:**

COPPER ALLOY PER MIL-DTL-  
83513, GOLD PLATED PER ASTM  
B488, (HARD GOLD) TYPE II CODE  
C CLASS 1.27

**TERMINATION:**

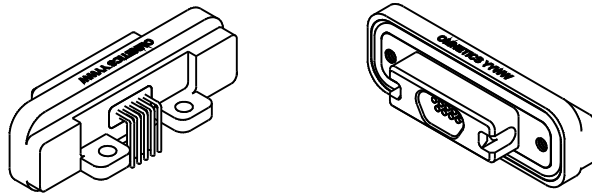
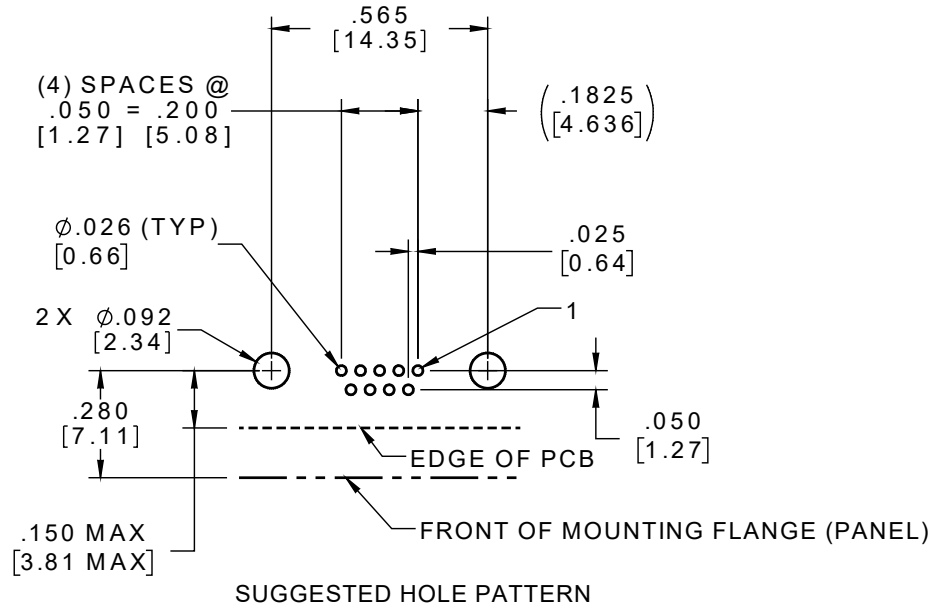
GOLD PLATED

**INTERFACIAL SEAL:**

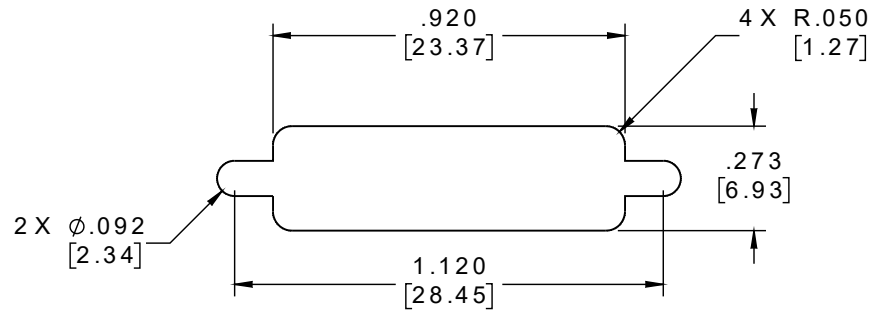
SILICONE RUBBER PER A-A-59588

**O-RING:**

FLUOROSILICONE



ACTUAL SIZE



SUGGESTED PANEL OPENING

**RoHS**

|              |  |  |  |                 |                 |
|--------------|--|--|--|-----------------|-----------------|
| LMSD<br>SLDW | THIRD ANGLE  | THIS DRAWING CONTAINS CONFIDENTIAL AND PROPRIETARY INFORMATION WHICH IS THE PROPERTY OF OMNETICS CONNECTOR CORP. THIS DOCUMENT MAY NOT, IN WHOLE OR IN PART, BE DUPLICATED, OR DISCLOSED FOR ANY PURPOSE, WITHOUT WRITTEN PERMISSION FROM OMNETICS CONNECTOR CORP. | <b>OMNETICS</b><br>CONNECTOR CORPORATION<br>7260 COMMERCE CIRCLE EAST<br>MINNEAPOLIS, MN 55432<br>WWW.OMNETICS.COM | DWG NO.         | CAGE CODE 61873 |
|              | -TOLERANCES-<br>UNLESS OTHERWISE NOTED<br>DIMENSIONS IN INCHES |  |  | A99070-009      |                 |
|              | TITLE:   | (9) SOCKET FEMALE<br>90° BOARD MOUNT<br>MICRO-D CONNECTOR  |  | SHEET<br>2 OF 2 | SCALE: 2:1      |
|              | DFTM. JPF<br>DATE<br>04-05-12                                  |  |  |                 | REV C           |