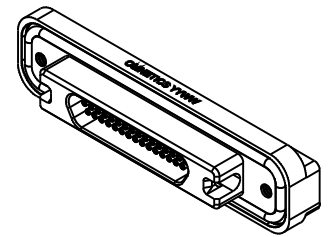
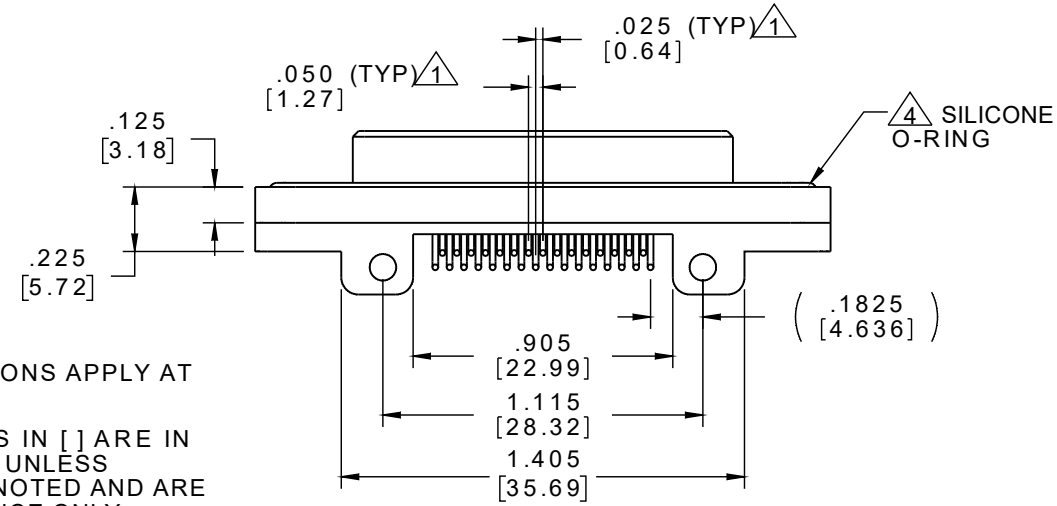
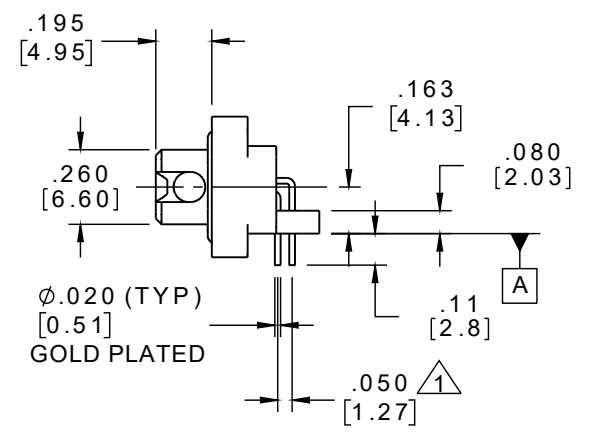
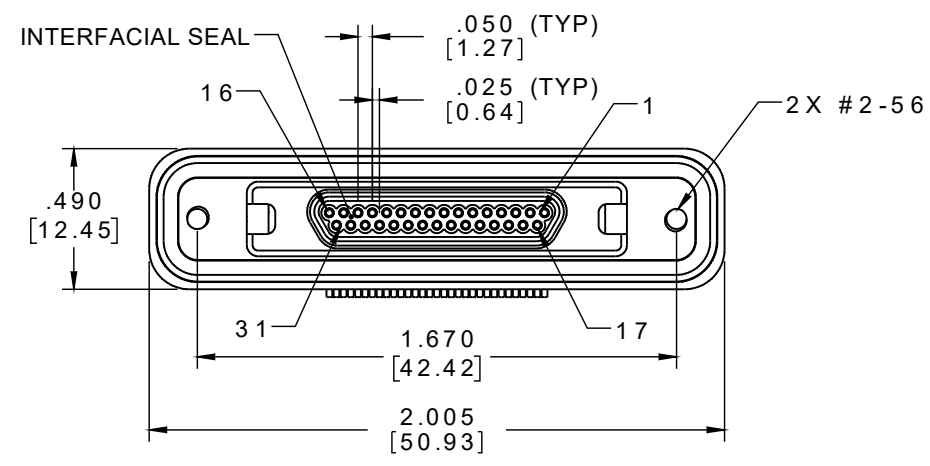
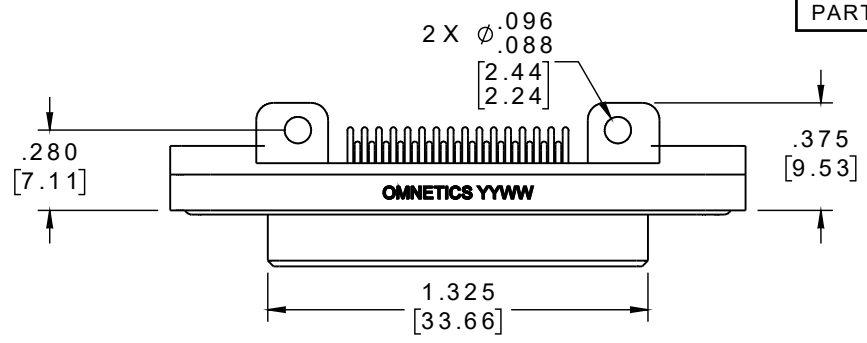


PART NO.	A99070-031	REV	ECO	DATE	APP
		C	107920	03-16-22	BAS



- NOTES:
- 1 TAIL DIMENSIONS APPLY AT PLANE [A]
 2. DIMENSIONS IN [] ARE IN MILLIMETERS UNLESS OTHERWISE NOTED AND ARE FOR REFERENCE ONLY
 3. USE HIGH TEMP EPOXY
 - 4 O-RING PACKAGED SEPARATELY AND SHIPPED WITH ASSEMBLY. SHOWN INSTALLED FOR CLARITY

L M S D W	THIRD ANGLE	THIS DRAWING CONTAINS CONFIDENTIAL AND PROPRIETARY INFORMATION WHICH IS THE PROPERTY OF OMNETICS CONNECTOR CORP. THIS DOCUMENT MAY NOT, IN WHOLE OR IN PART, BE DUPLICATED, OR DISCLOSED FOR ANY PURPOSE, WITHOUT WRITTEN PERMISSION FROM OMNETICS CONNECTOR CORP.	TITLE:
	-TOLERANCES-		(31) SOCKET FEMALE
	UNLESS OTHERWISE NOTED		90° BOARD MOUNT
	DIMENSIONS IN INCHES		MICRO-D CONNECTOR
	2 PL DEC ± .01		DFTM. JPF
	3 PL DEC ± .005		DATE
	4 PL DEC ± .0005		04-04-12
	ANGLES ± 1°		

OMNETICS
CONNECTOR CORPORATION
 7260 COMMERCE CIRCLE EAST
 MINNEAPOLIS, MN 55432
 WWW.OMNETICS.COM

DWG NO.	CAGE CODE	61873
A99070-031		
SHEET	SCALE: 3:2	REV C
1 OF 2		

RoHS

PART NO.	A99070-031	REV	ECO	DATE	APP
		C	107920	03-16-22	BAS

MATERIALS

HOUSING:

ALUMINUM 6061, NICKEL PLATE
(500 MICRONS MINIMUM) PER
SAE-AMS-2404

INSULATOR:

LIQUID CRYSTAL POLYMER (LCP)
PER ASTM D5138

CONTACT:

COPPER ALLOY PER MIL-DTL-
83513, GOLD PLATED PER ASTM
B488, (HARD GOLD) TYPE II CODE
C CLASS 1.27

TERMINATION:

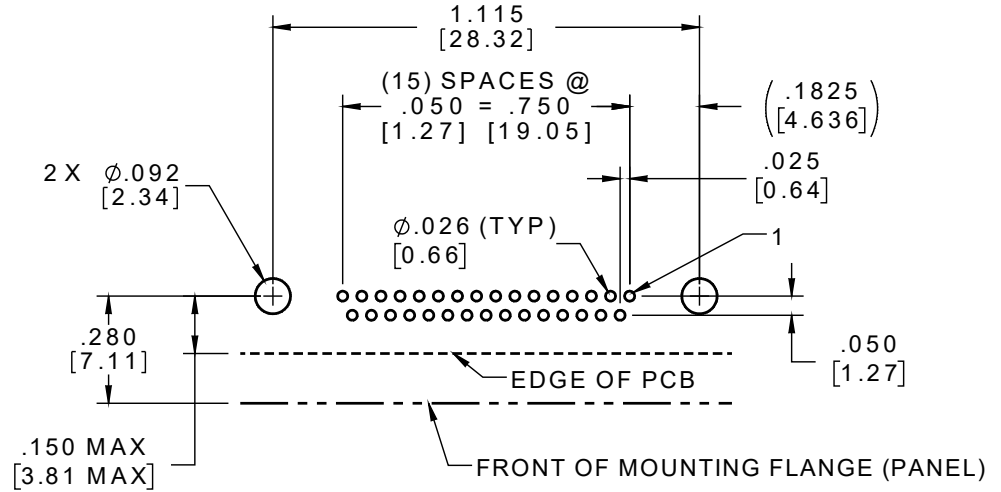
GOLD PLATED

INTERFACIAL SEAL:

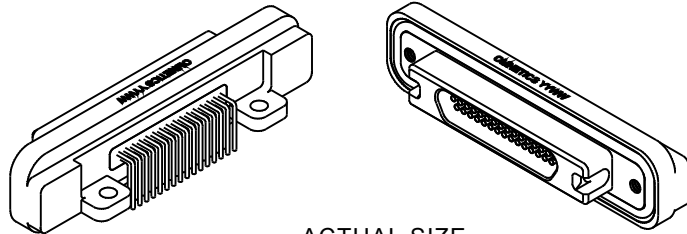
SILICONE RUBBER PER A-A-59588

O-RING:

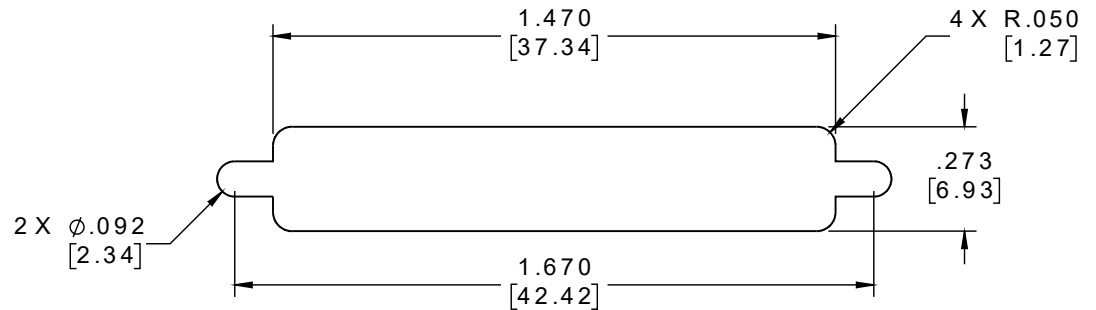
FLUOROSILICONE



SUGGESTED HOLE PATTERN



ACTUAL SIZE



SUGGESTED PANEL OPENING

RoHS

LMSD SIDW	THIRD ANGLE
	TOLERANCES-
	UNLESS OTHERWISE NOTED
	DIMENSIONS IN INCHES
	2 PL DEC ± .01
	3 PL DEC ± .005
	4 PL DEC ± .0005
	ANGLES ± 1°

THIS DRAWING CONTAINS CONFIDENTIAL AND PROPRIETARY INFORMATION WHICH IS THE PROPERTY OF OMNETICS CONNECTOR CORP. THIS DOCUMENT MAY NOT, IN WHOLE OR IN PART, BE DUPLICATED, OR DISCLOSED FOR ANY PURPOSE, WITHOUT WRITTEN PERMISSION FROM OMNETICS CONNECTOR CORP.

TITLE:
DFTM. JPF
DATE:
04-04-12

(31) SOCKET FEMALE
90° BOARD MOUNT
MICRO-D CONNECTOR

OMNETICS
CONNECTOR CORPORATION
7260 COMMERCE CIRCLE EAST
MINNEAPOLIS, MN 55432
WWW.OMNETICS.COM

DWG NO.	CAGE CODE	61873	
A99070-031			
SHEET	SCALE:	2:1	REV C
2 OF 2			