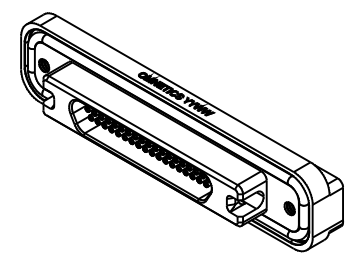
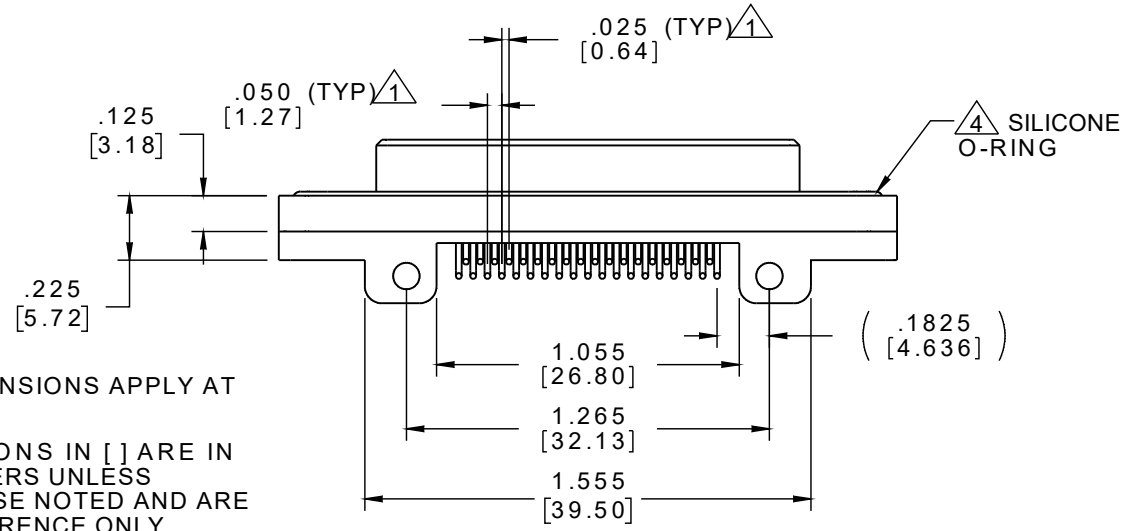
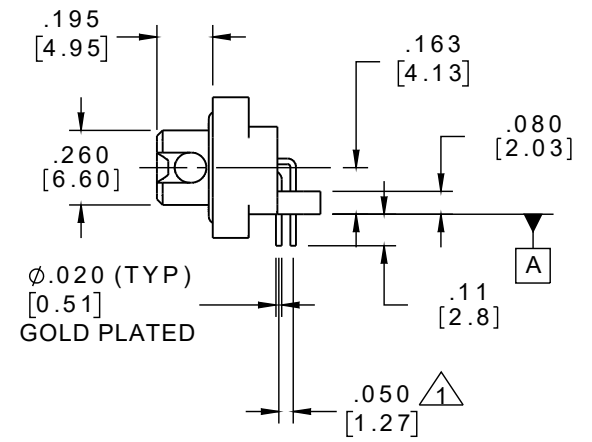
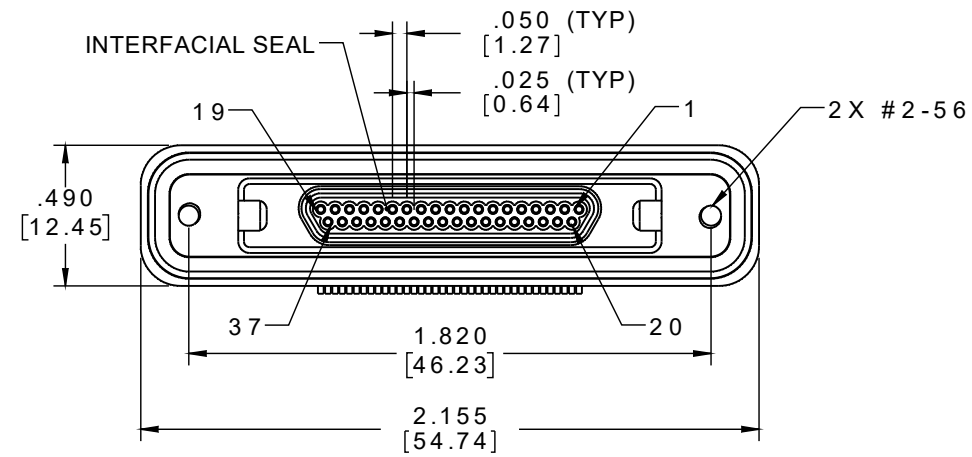
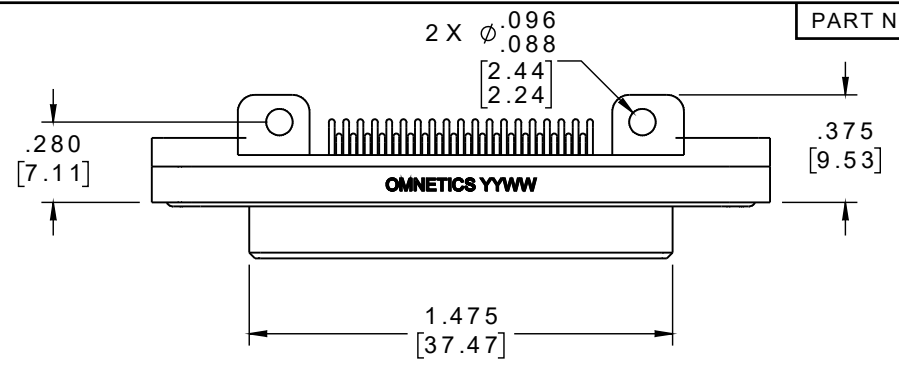


PART NO.	A99070-037	REV	ECO	DATE	APP
		C	107920	03-16-22	BAS



- NOTES:
- 1 TAIL DIMENSIONS APPLY AT PLANE A
  - 2. DIMENSIONS IN [ ] ARE IN MILLIMETERS UNLESS OTHERWISE NOTED AND ARE FOR REFERENCE ONLY
  - 3. USE HIGH TEMP EPOXY
  - 4. O-RING PACKAGED SEPARATELY AND SHIPPED WITH ASSEMBLY. SHOWN INSTALLED FOR CLARITY

RoHS

LMSD SLD/W	THIRD ANGLE	THIS DRAWING CONTAINS CONFIDENTIAL AND PROPRIETARY INFORMATION WHICH IS THE PROPERTY OF OMNETICS CONNECTOR CORPORATION. THIS DOCUMENT MAY NOT, IN WHOLE OR IN PART, BE DUPLICATED, OR DISCLOSED FOR ANY PURPOSE, WITHOUT WRITTEN PERMISSION FROM OMNETICS CONNECTOR CORP.	<b>OMNETICS</b> CONNECTOR CORPORATION 7260 COMMERCE CIRCLE EAST MINNEAPOLIS, MN 55432 WWW.OMNETICS.COM	DWG NO.	CAGE CODE 61873
	-TOLERANCES- UNLESS OTHERWISE NOTED DIMENSIONS IN INCHES			TITLE:	A99070-037
	2 PL DEC ± .01 3 PL DEC ± .005 4 PL DEC ± .0005 ANGLES ± 1°	DFTM. JPF DATE 04-04-12	(37) SOCKET FEMALE 90° BOARD MOUNT MICRO-D CONNECTOR	SHEET 1 OF 2	SCALE: 3:2 REV C

PART NO.	A99070-037	REV	ECO	DATE	APP
		C	107920	03-16-22	BAS

**MATERIALS**

**HOUSING:**

ALUMINUM 6061, NICKEL PLATE  
(500 MICROINCHES MINIMUM) PER  
SAE-AMS-2404

**INSULATOR:**

LIQUID CRYSTAL POLYMER (LCP)  
PER ASTM D5138

**CONTACT:**

COPPER ALLOY PER MIL-DTL-  
83513, GOLD PLATED PER ASTM  
B488, (HARD GOLD) TYPE II CODE  
C CLASS 1.27

**TERMINATION:**

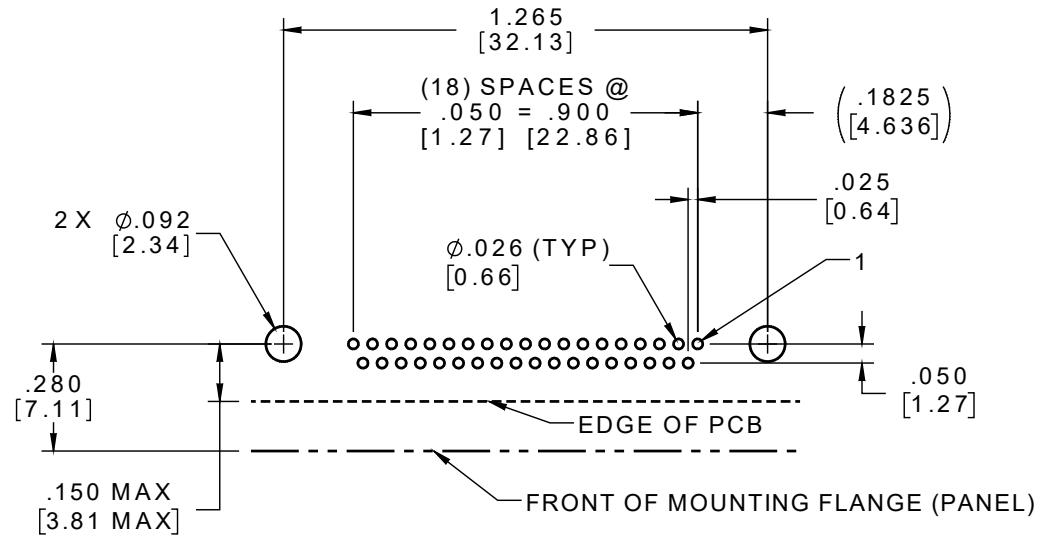
GOLD PLATED

**INTERFACIAL SEAL:**

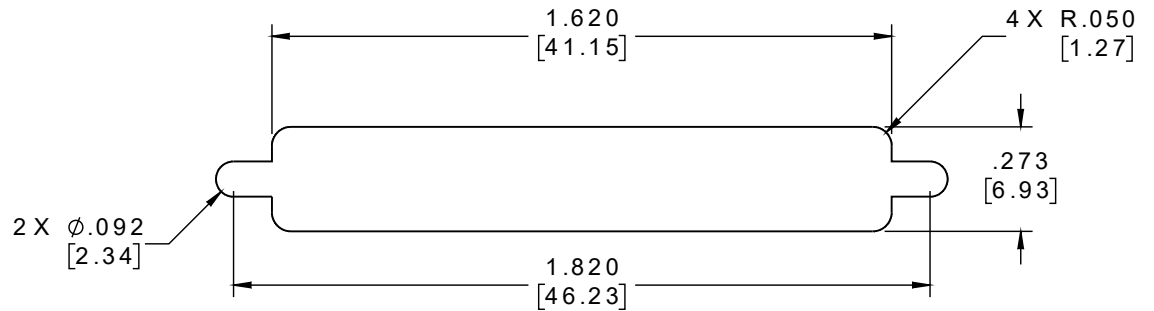
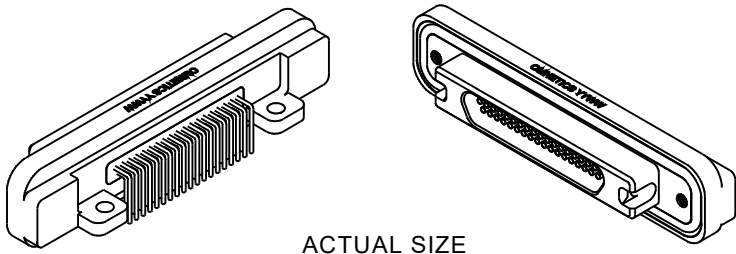
SILICONE RUBBER PER A-A-59588

**O-RING:**

FLUOROSILICONE



SUGGESTED HOLE PATTERN



SUGGESTED PANEL OPENING

**RoHS**

LMDS SLDW	THIRD ANGLE	THIS DRAWING CONTAINS CONFIDENTIAL AND PROPRIETARY INFORMATION WHICH IS THE PROPERTY OF OMNETICS CONNECTOR CORP. THIS DOCUMENT MAY NOT, IN WHOLE OR IN PART, BE DUPLICATED, OR DISCLOSED FOR ANY PURPOSE, WITHOUT WRITTEN PERMISSION FROM OMNETICS CONNECTOR CORP.	<b>OMNETICS</b> CONNECTOR CORPORATION 7260 COMMERCE CIRCLE EAST MINNEAPOLIS, MN 55432 WWW.OMNETICS.COM	DWG NO.	CAGE CODE 61873
	-TOLERANCES- UNLESS OTHERWISE NOTED DIMENSIONS IN INCHES			A99070-037	
	TITLE:	(37) SOCKET FEMALE 90° BOARD MOUNT MICRO-D CONNECTOR		SHEET 2 OF 2	SCALE: 2:1
	DFTM. JPF	DATE: 04-04-12			REV C