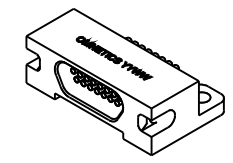
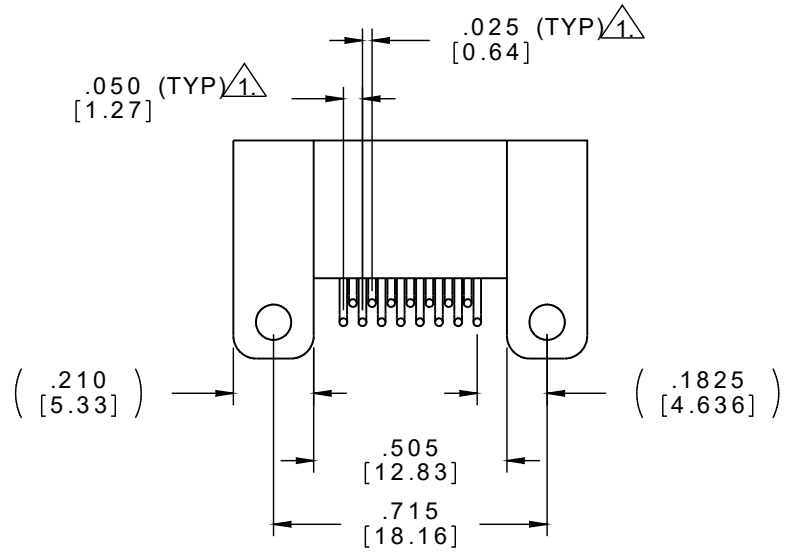
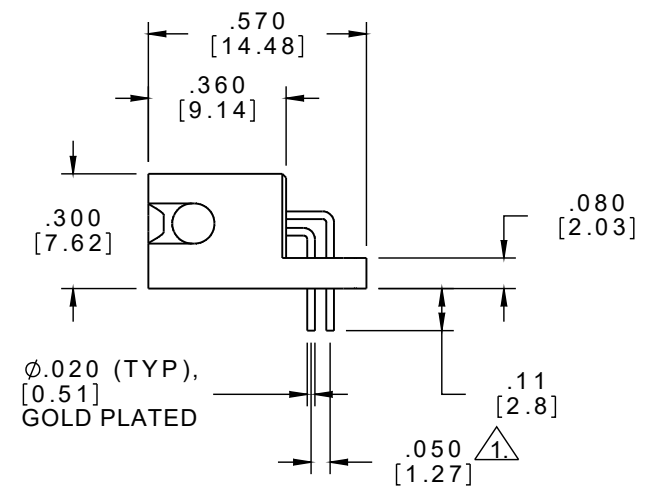
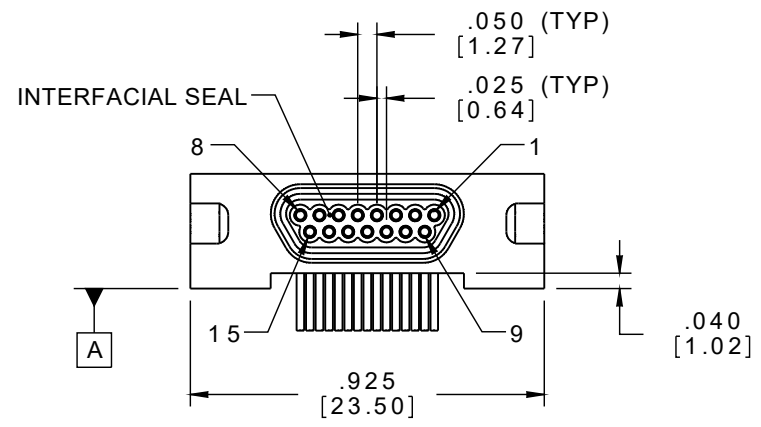
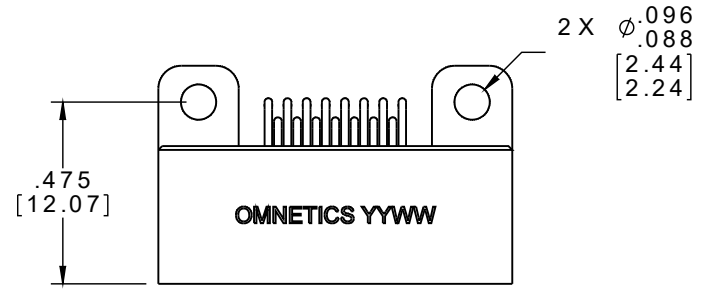


| | | | | | |
|----------|------------|-----|--------|----------|-----|
| PART NO. | A99093-015 | REV | ECO | DATE | APP |
| | | B | 102475 | 03-29-16 | TLM |



ACTUAL SIZE

NOTES:
DIMENSIONS IN [] ARE IN MILLIMETERS UNLESS OTHERWISE NOTED AND ARE FOR REFERENCE ONLY

\triangle 1. TAIL DIMENSIONS APPLY AT PLANE A

| | | | | | | | |
|--------------|--|--|-------------------|--|--------------------|--------------------|------------|
| LMSD SMDW | THIRD ANGLE \triangle | THIS DRAWING CONTAINS CONFIDENTIAL AND PROPRIETARY INFORMATION WHICH IS THE PROPERTY OF OMNETICS CONNECTOR CORP. THIS DOCUMENT MAY NOT, IN WHOLE OR IN PART, BE DUPLICATED, OR DISCLOSED FOR ANY PURPOSE, WITHOUT WRITTEN PERMISSION FROM OMNETICS CONNECTOR CORP. | | OMNETICS CONNECTOR CORPORATION 7260 COMMERCE CIRCLE EAST MINNEAPOLIS, MN 55432 WWW.OMNETICS.COM | CAGE CODE 61873 | | |
| | -TOLERANCES- UNLESS OTHERWISE NOTED DIMENSIONS IN INCHES | DFTM. TLM | DATE 11-29-12 | | TITLE: | DWG NO. A99093-015 | |
| | 2 PL DEC \pm .01 | CHK'D. | DATE | | (15) SOCKET FEMALE | SHEET 1 OF 2 | |
| | 3 PL DEC \pm .005 | APP'D. | DATE | | 90° BOARD MOUNT | REV B | SCALE: 2:1 |
| | 4 PL DEC \pm .0005 | | MICRO-D CONNECTOR | | | | |
| | ANGLES \pm 1° | | | | | | |

RoHS

| | | | | | |
|----------|------------|-----|--------|----------|-----|
| PART NO. | A99093-015 | REV | ECO | DATE | APP |
| | | B | 102475 | 03-29-16 | TLM |

MATERIALS

HOUSING:

ALUMINUM 6061-T6, NICKEL PLATE
PER SAE-AMS-2404

INSULATOR:

LIQUID CRYSTAL POLYMER (LCP)
PER ASTM D5138

CONTACT:

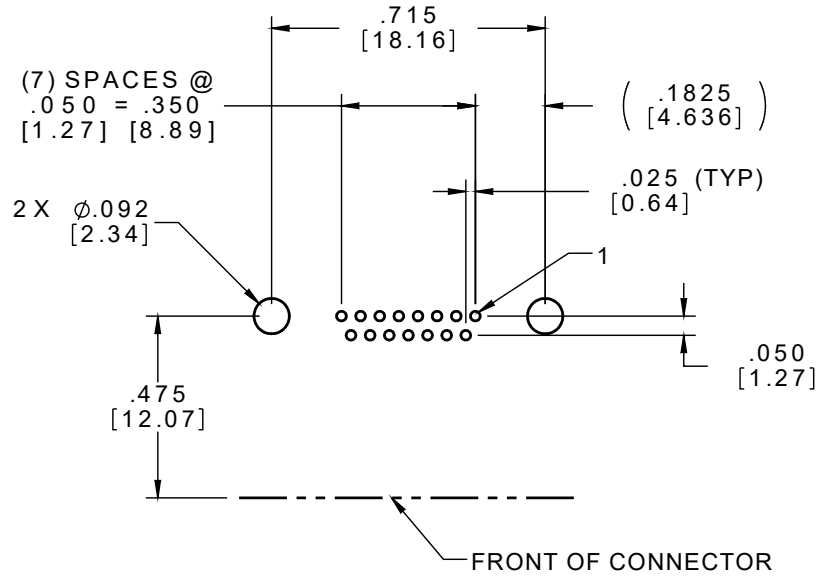
COPPER ALLOY PER MIL-DTL-83513, GOLD PLATED PER ASTM B488, (HARD GOLD) TYPE II CODE C CLASS 1.27

TERMINATION:

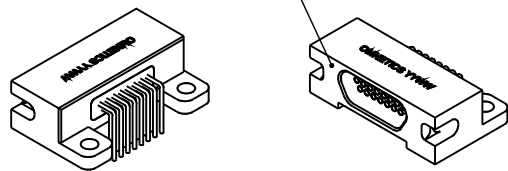
GOLD PLATED

INTERFACIAL SEAL:

SILICONE RUBBER PER A-A-59588



FRONT OF CONNECTOR



ACTUAL SIZE

SUGGESTED HOLE PATTERN

RoHS

NOTE:

DIMENSIONS IN [] ARE IN MILLIMETERS UNLESS OTHERWISE NOTED AND ARE FOR REFERENCE ONLY

| | | | | | | |
|------------------|--|--|-------------------|--|-----------------|---------|
| LMSD SLDW | THIRD ANGLE | THIS DRAWING CONTAINS CONFIDENTIAL AND PROPRIETARY INFORMATION WHICH IS THE PROPERTY OF OMNETICS CONNECTOR CORP. THIS DOCUMENT MAY NOT, IN WHOLE OR IN PART, BE DUPLICATED, OR DISCLOSED FOR ANY PURPOSE, WITHOUT WRITTEN PERMISSION FROM OMNETICS CONNECTOR CORP. | | OMNETICS CONNECTOR CORPORATION 7260 COMMERCE CIRCLE EAST MINNEAPOLIS, MN 55432 WWW.OMNETICS.COM | CAGE CODE 61873 | |
| | -TOLERANCES- UNLESS OTHERWISE NOTED DIMENSIONS IN INCHES | DFTM. TLM | DATE 11-29-12 | | TITLE: | DWG NO. |
| | 2 PL DEC ± .01 | CHK'D. | DATE | (15) SOCKET FEMALE | SHEET 2 OF 2 | REV |
| | 3 PL DEC ± .005 | APP'D. | DATE | 90° BOARD MOUNT | SCALE: 2:1 | B |
| 4 PL DEC ± .0005 | | | MICRO-D CONNECTOR | | | |
| ANGLES ± 1° | | | | | | |