

MATERIALS

PART NO.	A99100-021	REV	ECO	DATE	APP
		B	99772	08-09-13	TLM

HOUSING:
ALUMINUM 6061-T6, NICKEL PLATE
PER SAE-AMS-2404

INSULATOR:
LIQUID CRYSTAL POLYMER (LCP)
PER ASTM D5138

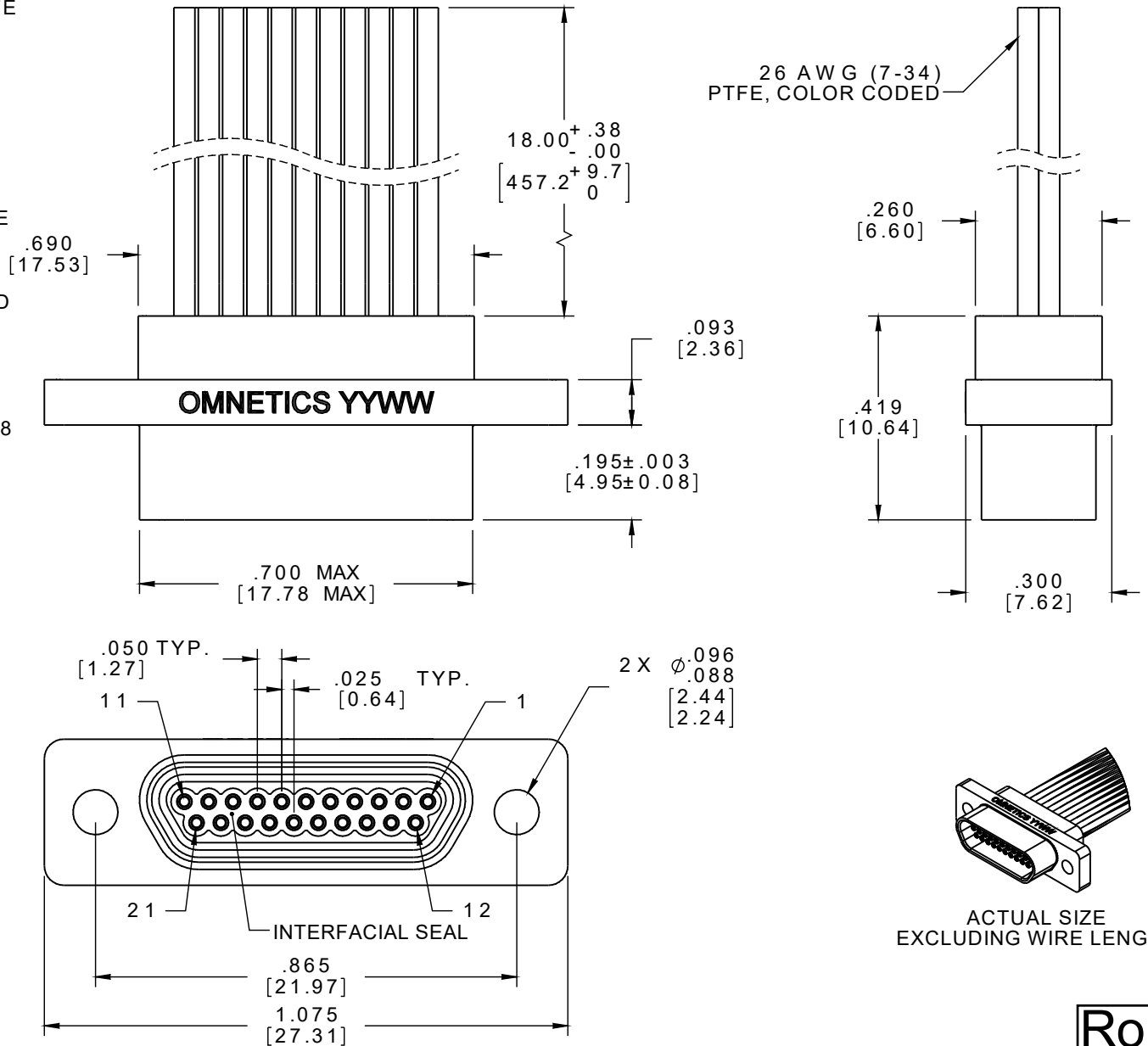
CONTACT:
COPPER ALLOY PER MIL-DTL-
83513, GOLD PLATED PER ASTM
B488, (HARD GOLD) TYPE II CODE
C CLASS 1.27

WIRE:
NEMA HP3 TYPE E, COLOR CODED
IAW MIL-STD-681, SYSTEM 1,
USING TEN SOLID REPEATING
COLORS

INTERFACIAL SEAL:
SILICONE RUBBER PER A-A-59588

HARDWARE:
AVAILABLE UPON REQUEST

SOCKET #	COLOR
1, 11, 21	BLACK
2, 12	BROWN
3, 13	RED
4, 14	ORANGE
5, 15	YELLOW
6, 16	GREEN
7, 17	BLUE
8, 18	VIOLET
9, 19	GRAY
10, 20	WHITE



RoHS

NOTE:
DIMENSIONS IN [] ARE IN
MILLIMETERS UNLESS
OTHERWISE NOTED AND ARE
FOR REFERENCE ONLY

MINDS SLIDW	THIRD ANGLE	THIS DRAWING CONTAINS CONFIDENTIAL AND PROPRIETARY INFORMATION WHICH IS THE PROPERTY OF OMNETICS CONNECTOR CORP. THIS DOCUMENT MAY NOT, IN WHOLE OR IN PART, BE DUPLICATED, OR DISCLOSED FOR ANY PURPOSE, WITHOUT WRITTEN PERMISSION FROM OMNETICS CONNECTOR CORP.		 7260 COMMERCE CIRCLE EAST MINNEAPOLIS, MN 55432 WWW.OMNETICS.COM	CAGE CODE 61873		
	-TOLERANCES- UNLESS OTHERWISE NOTED DIMENSIONS IN INCHES	DFTM. NJS	DATE 11-12-09		TITLE:	DWG NO. A99100-021	
	2 PL DEC ± .01	CHK'D.	DATE		(21) SOCKET FEMALE MICRO-D CONNECTOR	SHEET 1 OF 1	
	3 PL DEC ± .005	APP'D.	DATE			REV B	SCALE: 3:1