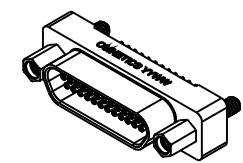
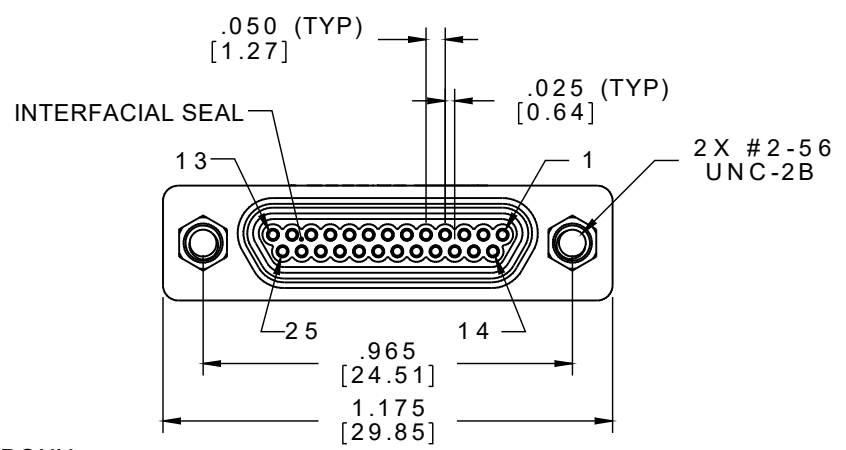
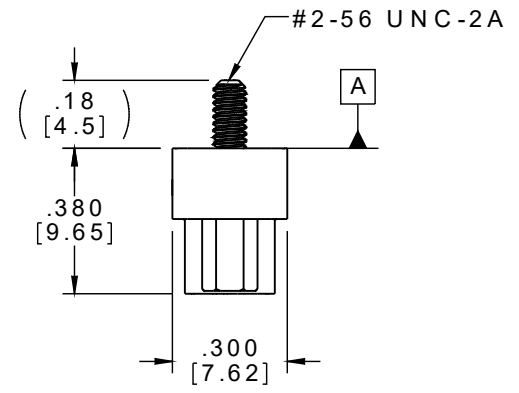
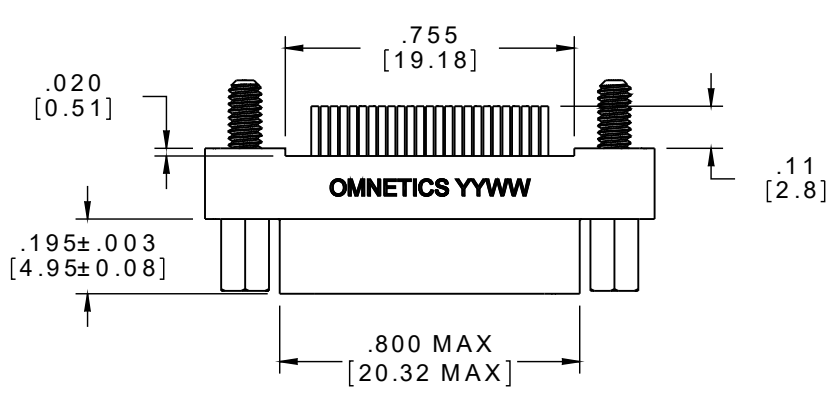
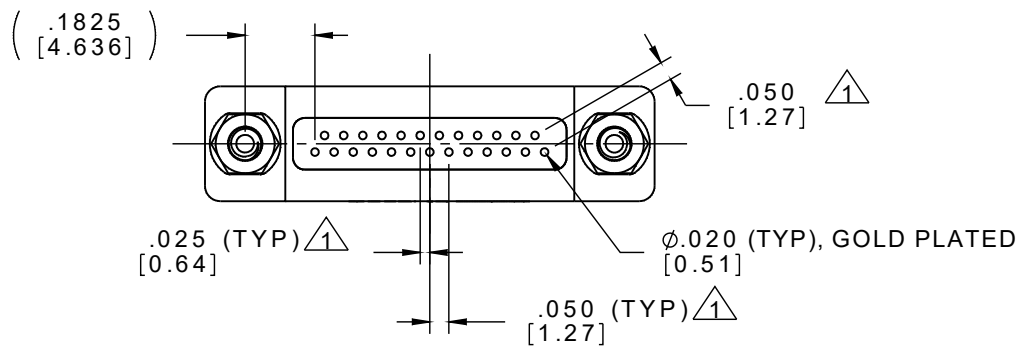


PART NO.	A99211-025	REV	ECO	DATE	APP
		A	102417	03-07-16	TLM



NOTES:
 USE HIGH TEMP EPOXY
 DIMENSIONS IN [] ARE IN MILLIMETERS UNLESS OTHERWISE NOTED AND ARE FOR REFERENCE ONLY

$\triangle 1$ TAIL DIMENSIONS APPLY AT PLANE $\square A$

RoHS

MINDS SLD/W	THIRD ANGLE ϕ \square	THIS DRAWING CONTAINS CONFIDENTIAL AND PROPRIETARY INFORMATION WHICH IS THE PROPERTY OF OMNETICS CONNECTOR CORP. THIS DOCUMENT MAY NOT, IN WHOLE OR IN PART, BE DUPLICATED, OR DISCLOSED FOR ANY PURPOSE, WITHOUT WRITTEN PERMISSION FROM OMNETICS CONNECTOR CORP.		OMNETICS CONNECTOR CORPORATION 7260 COMMERCE CIRCLE EAST MINNEAPOLIS, MN 55432 WWW.OMNETICS.COM	CAGE CODE 61873		
	-TOLERANCES- UNLESS OTHERWISE NOTED	DFTM. HV	DATE 02-26-16		TITLE:	DWG NO.	A99211-025
	DIMENSIONS IN INCHES	CHK'D.	DATE		(25) SOCKET FEMALE STRAIGHT BOARD MOUNT MICRO-D CONNECTOR	SHEET 1 OF 2	REV
	2 PL DEC $\pm .01$ 3 PL DEC $\pm .005$ 4 PL DEC $\pm .0005$ ANGLES $\pm 1^\circ$	APP'D.	DATE			SCALE: 2:1	A

PART NO.	A99211-025	REV	ECO	DATE	APP
		A	102417	03-07-16	TLM

MATERIALS & SPECIFICATIONS

HOUSING:

ALUMINUM 6061-T6, NICKEL PLATE
PER SAE-AMS-2404

INSULATOR:

LIQUID CRYSTAL POLYMER (LCP)
PER ASTM D5138

CONTACT:

COPPER ALLOY PER MIL-DTL-
83513, GOLD PLATED PER ASTM
B488, (HARD GOLD) TYPE II CODE
C CLASS 1.27

TERMINATION:

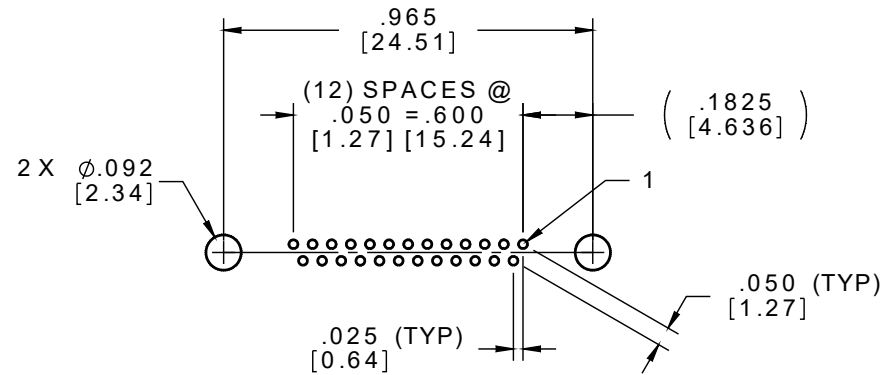
GOLD PLATED

INTERFACIAL SEAL:

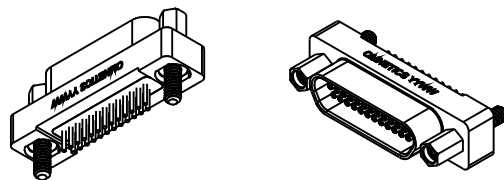
SILICONE RUBBER PER A-A-59588

HARDWARE:

STAINLESS STEEL, PASSIVATED PER
SAE-AMS-2700



SUGGESTED HOLE PATTERN



ACTUAL SIZE

RoHS

NOTE:

DIMENSIONS IN [] ARE IN
MILLIMETERS UNLESS
OTHERWISE NOTED AND ARE
FOR REFERENCE ONLY

MINDS SLDW	THIRD ANGLE	THIS DRAWING CONTAINS CONFIDENTIAL AND PROPRIETARY INFORMATION WHICH IS THE PROPERTY OF OMNETICS CONNECTOR CORP. THIS DOCUMENT MAY NOT, IN WHOLE OR IN PART, BE DUPLICATED, OR DISCLOSED FOR ANY PURPOSE, WITHOUT WRITTEN PERMISSION FROM OMNETICS CONNECTOR CORP.		OMNETICS CONNECTOR CORPORATION 7260 COMMERCE CIRCLE EAST MINNEAPOLIS, MN 55432 WWW.OMNETICS.COM	CAGE CODE 61873	
	-TOLERANCES- UNLESS OTHERWISE NOTED DIMENSIONS IN INCHES	DFTM. HV	DATE 02-26-16		TITLE: (25) SOCKET FEMALE STRAIGHT BOARD MOUNT MICRO-D CONNECTOR	DWG NO. A99211-025
	2 PL DEC ± .01	CHK'D.	DATE		SHEET 2 OF 2	
	3 PL DEC ± .005	APP'D.	DATE		REV A	SCALE: 2:1
4 PL DEC ± .0005						
ANGLES ± 1°						