

PART NO.	A99286-037	REV	ECO	DATE	APP
		B	103913	10-23-17	TLM

MATERIALS

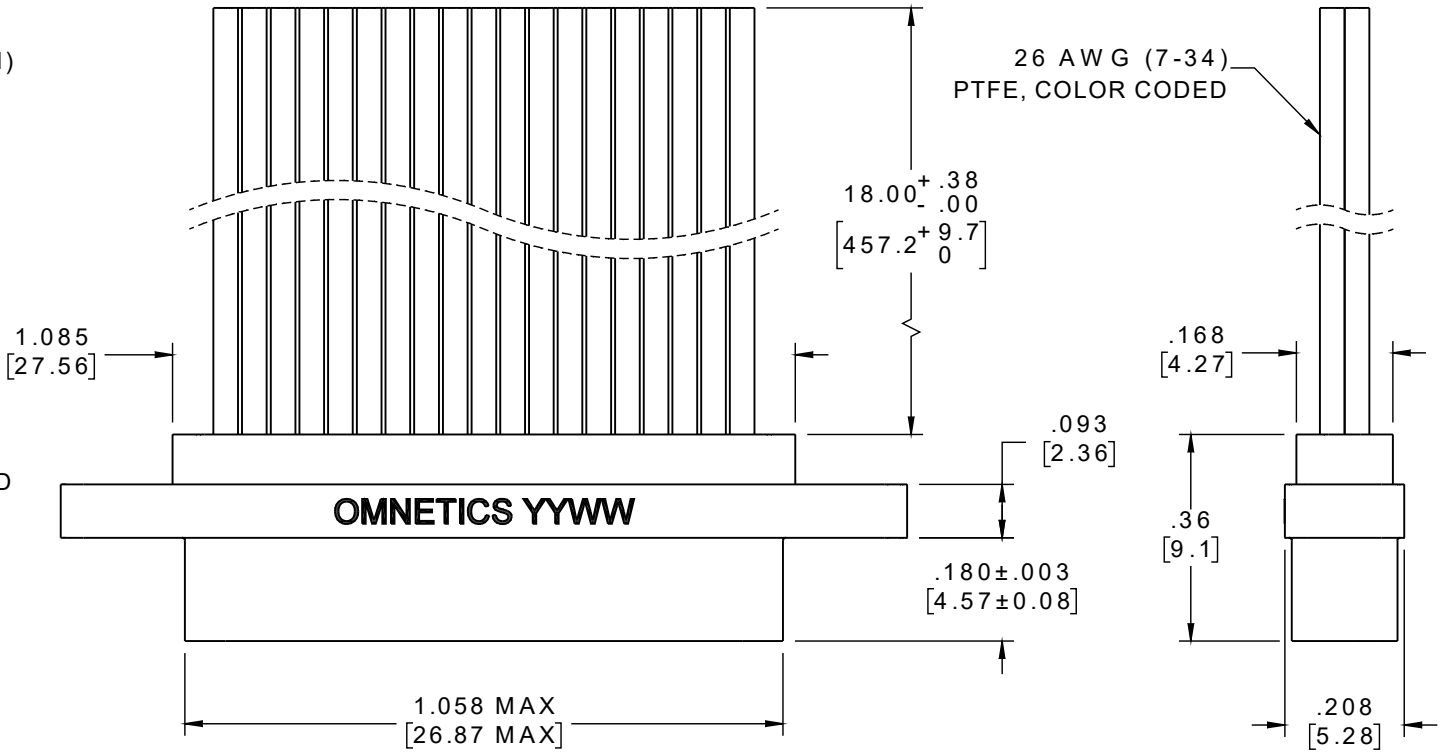
HOUSING:
ALUMINUM 6061, NICKEL
(500 MICROINCHES MINIMUM)
PLATE PER SAE-AMS-2404

INSULATOR:
LIQUID CRYSTAL POLYMER
(LCP) PER ASTM D5138

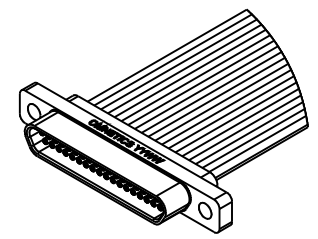
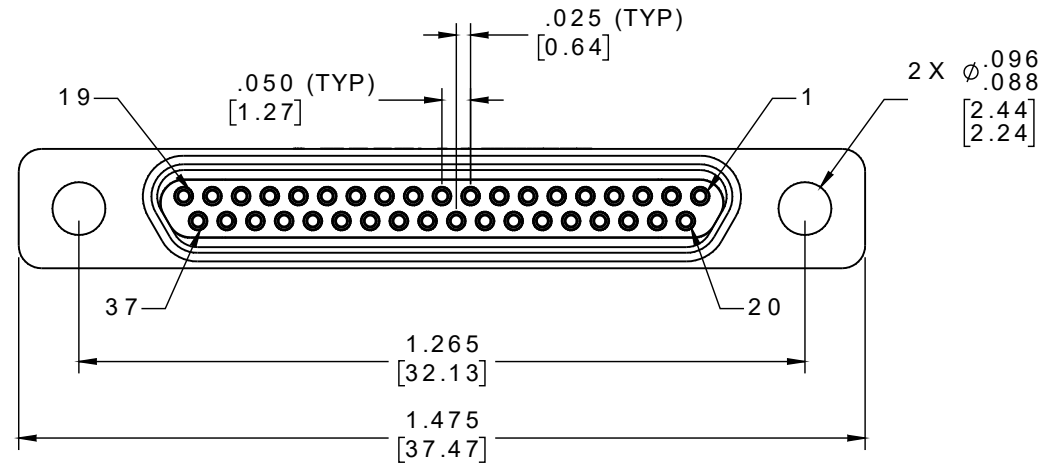
CONTACT:
COPPER ALLOY PER MIL-
DTL-83513, GOLD PLATED
PER ASTM B488, (HARD
GOLD) TYPE II CODE C
CLASS 1.27

WIRE:
NEMA HP3 TYPE E, COLOR
CODED IAW MIL-STD-681,
SYSTEM 1, USING TEN SOLID
REPEATING COLORS

HARDWARE:
AVAILABLE UPON REQUEST



SOCKET #	COLOR
1, 11, 21, 31	BLACK
2, 12, 22, 32	BROWN
3, 13, 23, 33	RED
4, 14, 24, 34	ORANGE
5, 15, 25, 35	YELLOW
6, 16, 26, 36	GREEN
7, 17, 27, 37	BLUE
8, 18, 28	VIOLET
9, 19, 29	GRAY
10, 20, 30	WHITE



ACTUAL SIZE
EXCLUDING WIRE LENGTH

RoHS

NOTE:
DIMENSIONS IN [] ARE IN
MILLIMETERS UNLESS
OTHERWISE NOTED AND ARE
FOR REFERENCE ONLY

MDC/SID	THIRD ANGLE	THIS DRAWING CONTAINS CONFIDENTIAL AND PROPRIETARY INFORMATION WHICH IS THE PROPERTY OF OMNETICS CONNECTOR CORP. THIS DOCUMENT MAY NOT, IN WHOLE OR IN PART, BE DUPLICATED, OR DISCLOSED FOR ANY PURPOSE, WITHOUT WRITTEN PERMISSION FROM OMNETICS CONNECTOR CORP.	
	-TOLERANCES- UNLESS OTHERWISE NOTED	DFTM. HV	TITLE:
	DIMENSIONS IN INCHES	DATE 09-18-17	(37) SOCKET FEMALE LOW PROFILE MICRO-D CONNECTOR
	2 PL DEC ± .01 3 PL DEC ± .005 4 PL DEC ± .0005 ANGLES ± 1°	CHK'D.	DATE
	APP'D.	DATE	

OMNETICS
CONNECTOR CORPORATION
7260 COMMERCE CIRCLE EAST
MINNEAPOLIS, MN 55432
WWW.OMNETICS.COM

CAGE CODE 61873	
DWG NO. A99286-037	
SHEET 1 OF 1	REV B
SCALE: 3:1	