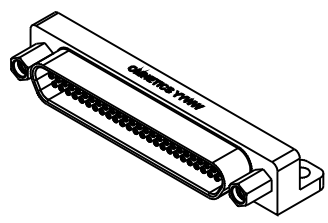
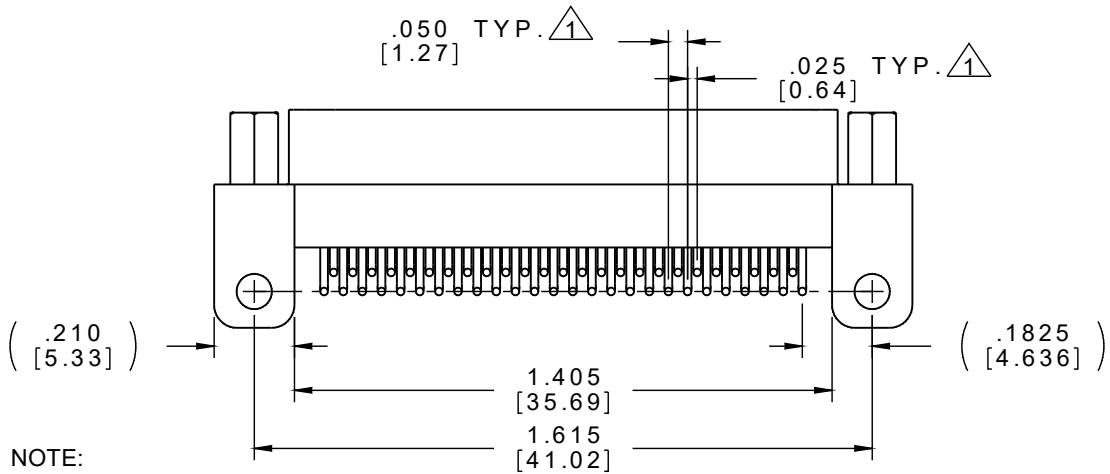
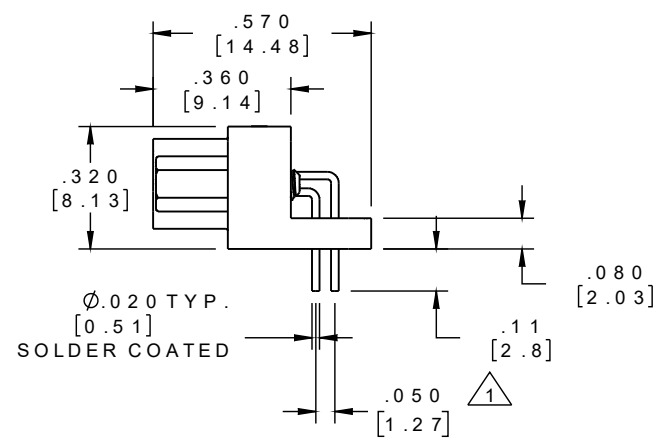
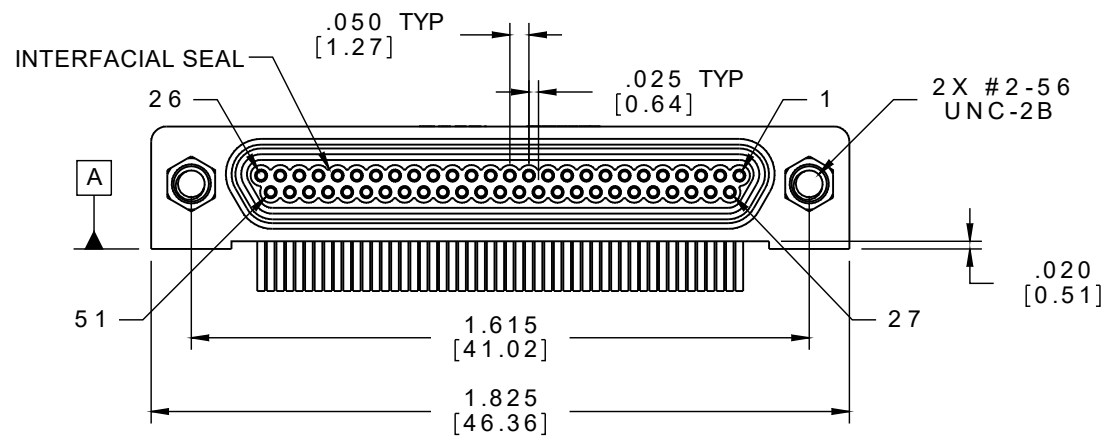
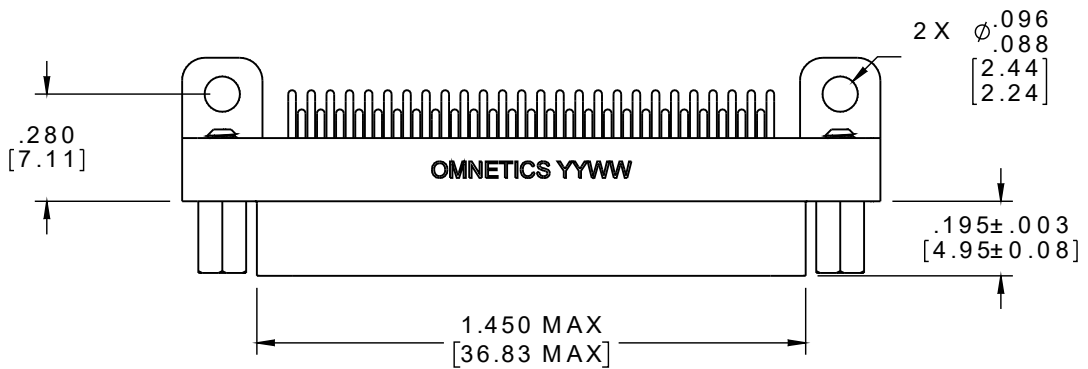


PART NO.	A99421-512	REV	ECO	DATE	APP
		B	102019	11-04-15	TLM



NOTE:
DIMENSIONS IN [] ARE IN MILLIMETERS UNLESS OTHERWISE NOTED AND ARE FOR REFERENCE ONLY

\triangle TAIL DIMENSIONS APPLY AT PLANE A

MINDS S/DW	THIRD ANGLE ϕ	THIS DRAWING CONTAINS CONFIDENTIAL AND PROPRIETARY INFORMATION WHICH IS THE PROPERTY OF OMNETICS CONNECTOR CORP. THIS DOCUMENT MAY NOT, IN WHOLE OR IN PART, BE DUPLICATED, OR DISCLOSED FOR ANY PURPOSE, WITHOUT WRITTEN PERMISSION FROM OMNETICS CONNECTOR CORP.	
	-TOLERANCES- UNLESS OTHERWISE NOTED DIMENSIONS IN INCHES	DATE	TITLE:
	2 PL DEC \pm .01	07-27-11	(51) SOCKET FEMALE
	3 PL DEC \pm .005		90° BOARD MOUNT
4 PL DEC \pm .0005		MICRO-D CONNECTOR	
	ANGLES \pm 1°	DATE	
		APP'D.	

OMNETICS
CONNECTOR CORPORATION
7260 COMMERCE CIRCLE EAST
MINNEAPOLIS, MN 55432
WWW.OMNETICS.COM

CAGE CODE 61873	
DWG NO. A99421-512	
SHEET 1 OF 2	REV B
SCALE: 2:1	

PART NO.	A99421-512	REV	ECO	DATE	APP
		B	102019	11-04-15	TLM

MATERIALS

HOUSING:

ALUMINUM 6061-T6, NICKEL
PLATE PER SAE-AMS-2404

INSULATOR:

LIQUID CRYSTAL POLYMER (LCP)
PER ASTM D5138

CONTACT:

COPPER ALLOY PER MIL-DTL-
83513, GOLD PLATED PER
ASTM B488, (HARD GOLD) TYPE
II CODE C CLASS 1.27

TERMINATION:

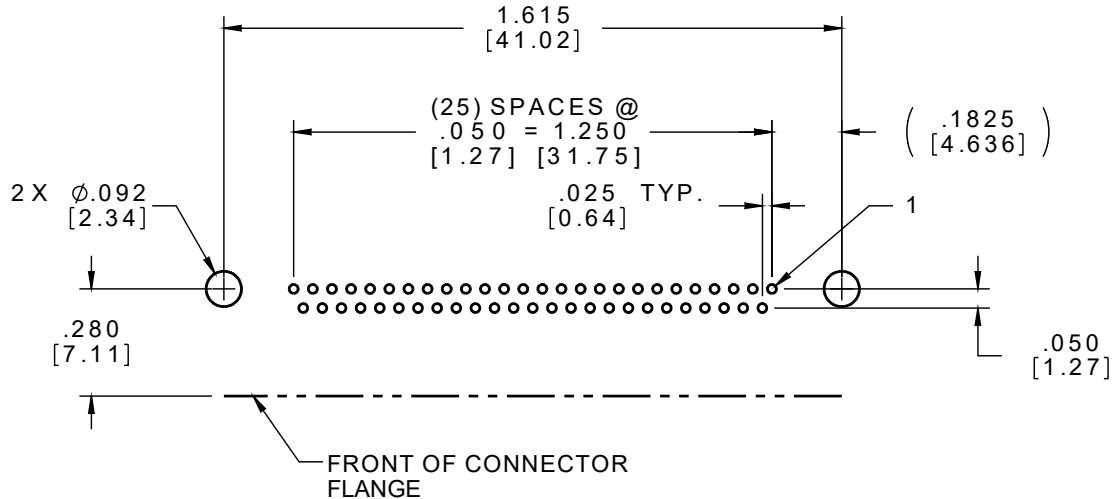
SOLDER COATED WITH SN63A
PER J-STD-006 OR AMS-P-
81728

INTERFACIAL SEAL:

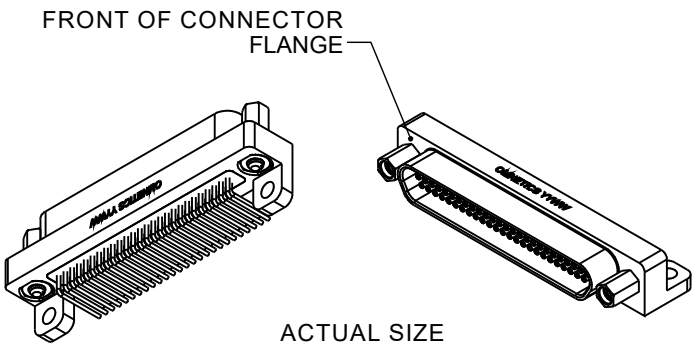
SILICONE RUBBER PER A-A-
59588

HARDWARE:

STAINLESS STEEL, PASSIVATED
PER SAE-AMS-2700



SUGGESTED HOLE PATTERN



NOTE:
DIMENSIONS IN [] ARE IN
MILLIMETERS UNLESS
OTHERWISE NOTED AND ARE
FOR REFERENCE ONLY

MINDS SINDS SINDS	THIRD ANGLE	THIS DRAWING CONTAINS CONFIDENTIAL AND PROPRIETARY INFORMATION WHICH IS THE PROPERTY OF OMNETICS CONNECTOR CORP. THIS DOCUMENT MAY NOT, IN WHOLE OR IN PART, BE DUPLICATED, OR DISCLOSED FOR ANY PURPOSE, WITHOUT WRITTEN PERMISSION FROM OMNETICS CONNECTOR CORP.		OMNETICS CONNECTOR CORPORATION 7260 COMMERCE CIRCLE EAST MINNEAPOLIS, MN 55432 WWW.OMNETICS.COM	CAGE CODE 61873	
	-TOLERANCES- UNLESS OTHERWISE NOTED DIMENSIONS IN INCHES	DFTM. DGJ	DATE 07-27-11		TITLE: (51) SOCKET FEMALE 90° BOARD MOUNT MICRO-D CONNECTOR	DWG NO. A99421-512
	2 PL DEC ± .01 3 PL DEC ± .005 4 PL DEC ± .0005 ANGLES ± 1°	CHK'D.	DATE		SHEET 2 OF 2	
		APP'D.	DATE		REV B	SCALE: 2:1